

FURNITURE LEISURE INC

OUR LIST OF WEB STORES

www.FurnitureLeisure.com www.PoolFurnitureSupply.com
 www.PicnicFurniture.com www.PicnicTableSupplier.com
 www.ParkTables.com www.UBrace.com

1.800.213.2401

END VIEW

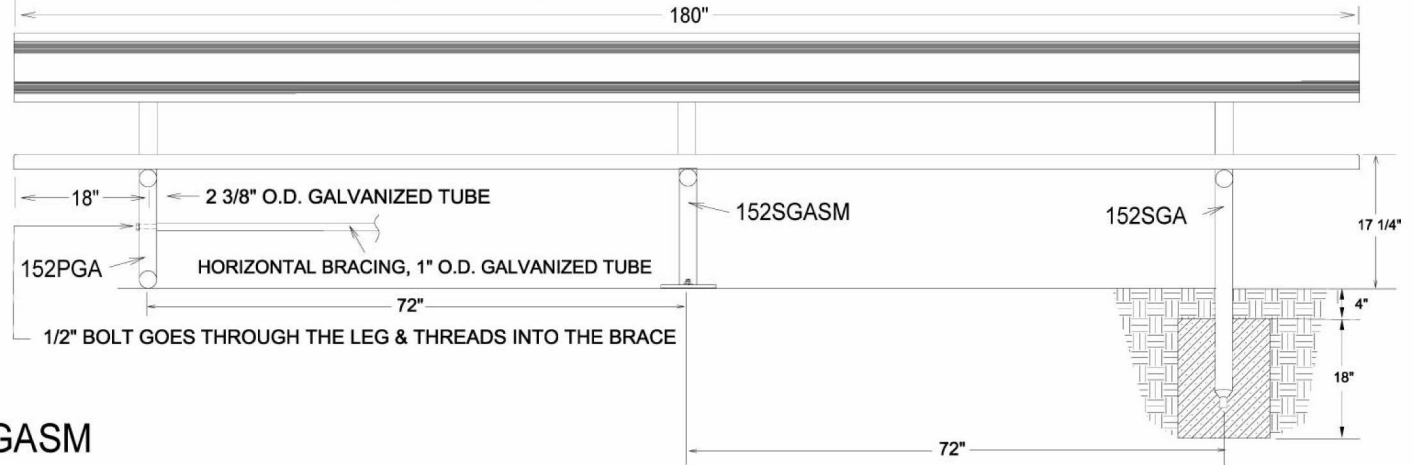
FRONT VIEW

2" x 10" ANODIZED ALUMINUM SEAT AND BACK PLANK

152PGA

152SGASM

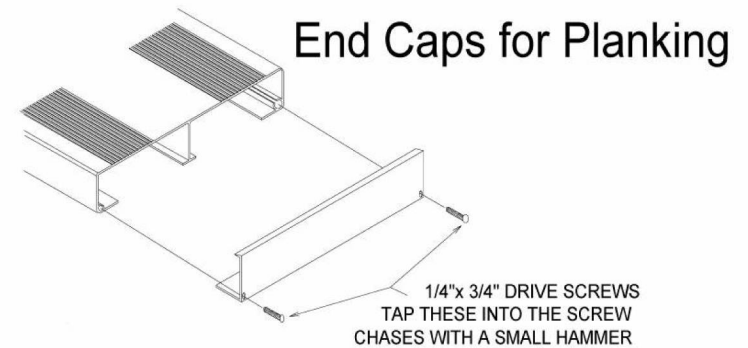
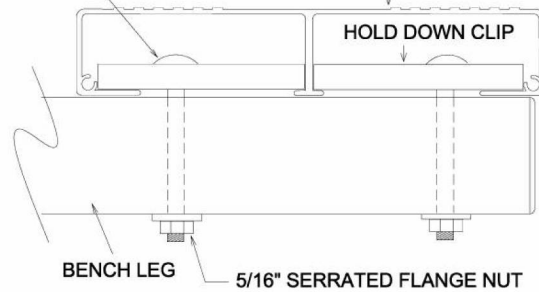
152SGA



WELDS ARE CLEANED, COLD GALVANIZED AND PAINTED FOR A LONG LIFE

DETAIL OF PLANK

2" x 10" ANODIZED ALUMINUM SEAT & BACK PLANK
 5/16" x 3 1/2" CARRIAGE BOLT



MODEL	WT.
152SGA	93 lbs.
152SGASM	93 lbs.
152PGA	109 lbs.

NOTE: THE BURY DEPTH OF THE CONCRETE FOOTING IS ONLY A SUGGESTION THE LOCAL SOIL CONDITIONS SHOULD DETERMINE WHAT IS NECESSARY

THE ENDS OF THE LEGS ARE DEFORMED FOR PERMANENT ANCHORING IN CONCRETE

REV 10/00

FILE NO. 152PGA, 152SGA, 152SGASM

MODEL	SEE ABOVE		WT.	SEE ABOVE	
DRAWN BY	JBJ	DATE	10/13/00	SCALE	NONE