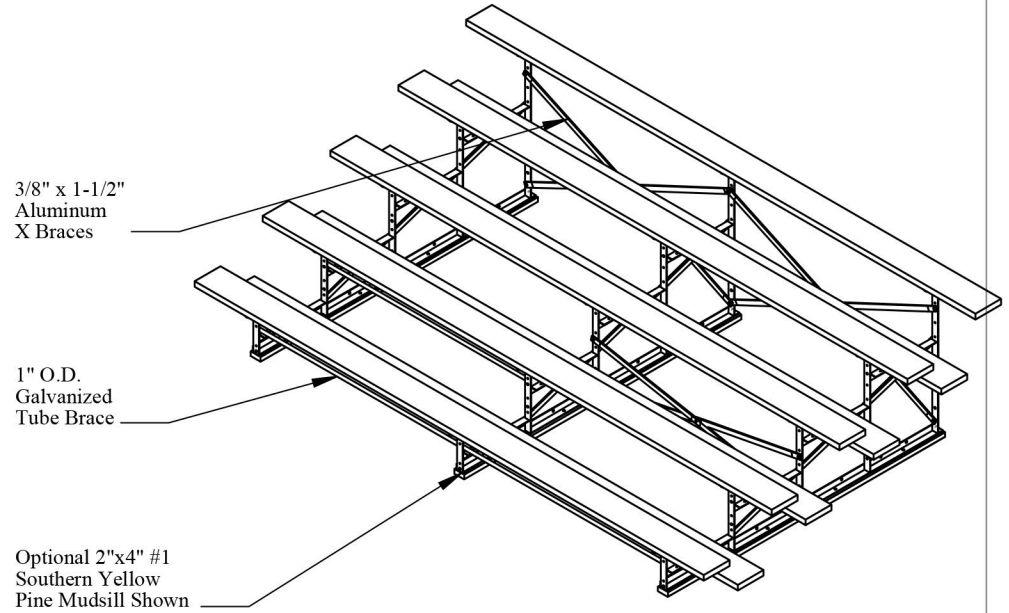


105"

Nominal 2"x10"x.078
Aluminum Alloy 6063
T6 Extruded Seat plank
with an Anodized Finish

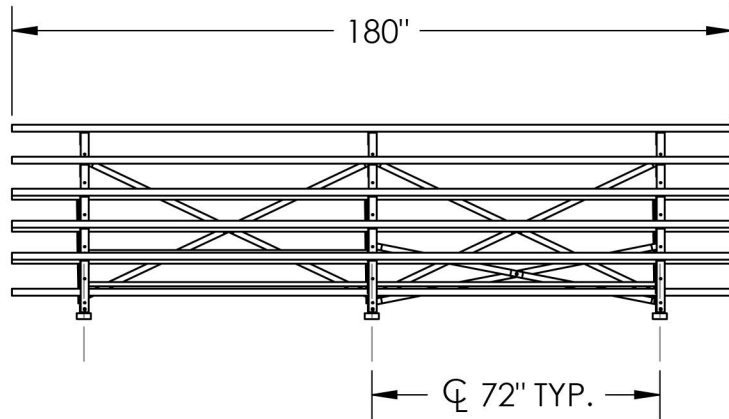
Nominal 2"x10"x.078
Aluminum Alloy 6063
T6 Extruded Single Foot
Board with a Mill Finish



3/8" x 1-1/2"
Aluminum
X Braces

1" O.D.
Galvanized
Tube Brace

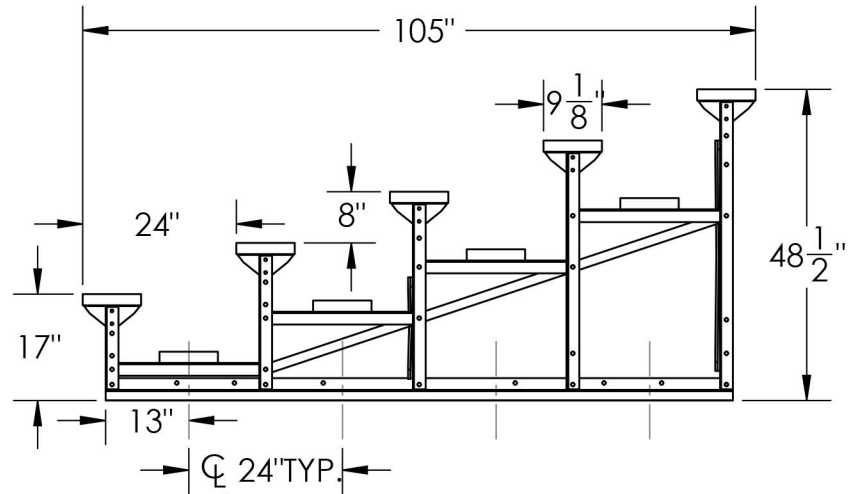
Optional 2"x4" #1
Southern Yellow
Pine Mudsill Shown



180"

☉ 72" TYP.

Frame Anchor Spacing



105"

9 1/8"

24"

8"

48 1/2"

17"

13"

☉ 24" TYP.

Frame Anchor Spacing

	Initials	Date
Created:		2/21/2011
Saved:		2/21/2011
S:\CADDRWGS\Solidworks\Bleachers\Spec Drawings\		

FURNITURE LEISURE INC
OUR LIST OF WEB STORES

www.FurnitureLeisure.com www.PoolFurnitureSupply.com
www.PicnicFurniture.com www.PicnicTableSupplier.com
www.ParkTables.com www.UBrace.com

1.800.213.2401

Spec Drawing Model #: BLA5A15

Description: 5 Row 15 Foot Aluminum Frame Bleacher with Single Foot Boards and No Gaurdrails

Notes: This Drawing and all information contained herein is the property of Kay Park Rec. and is not to be reproduced without express written permission. Kay Park Rec. assumes no responsibility for unauthorized use of this drawing. Kay Park Rec. is not responsible for local permits and occupancy requirements.