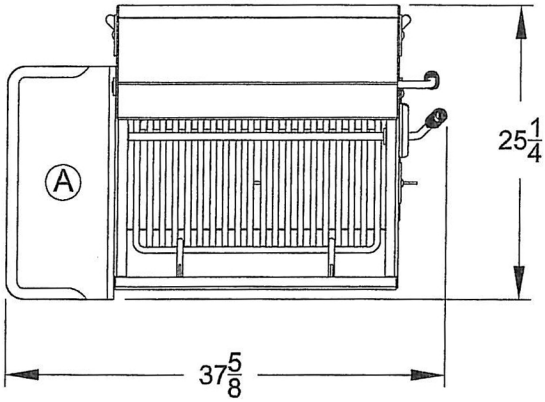
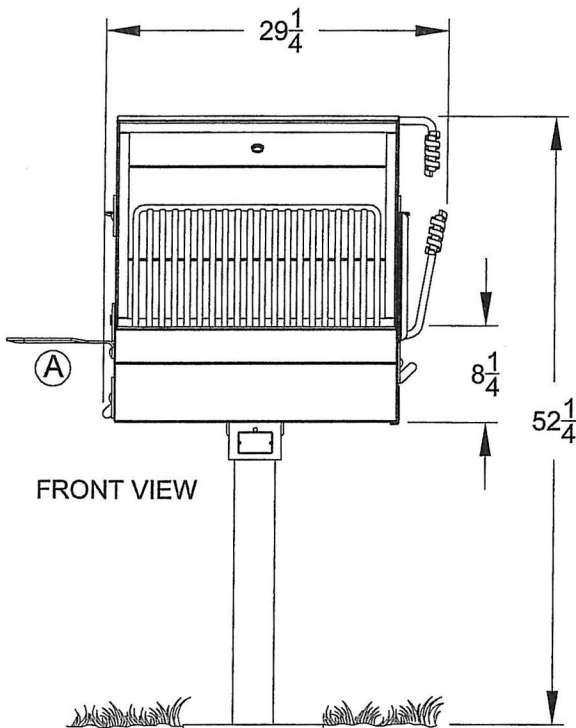


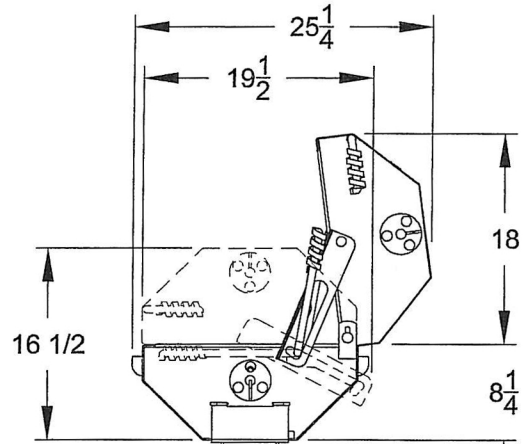
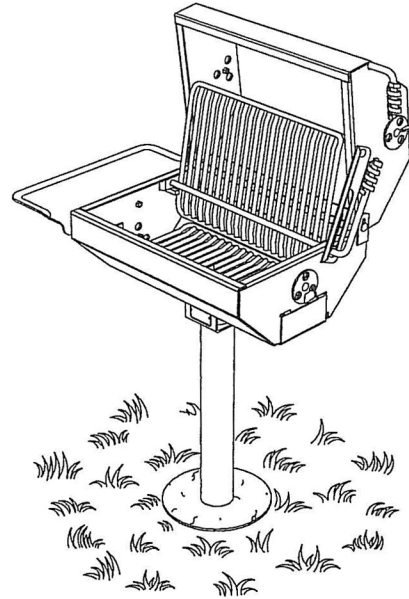
Ⓐ OPTIONAL UTILITY SHELF
 - ADD /S TO MODEL NUMBER



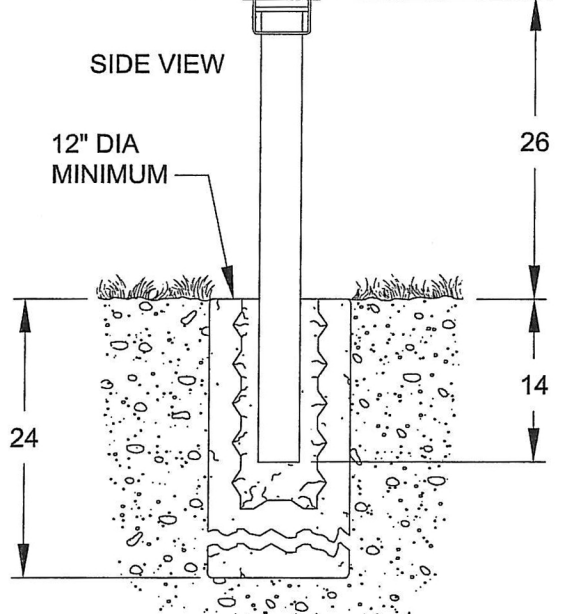
TOP VIEW



FRONT VIEW



SIDE VIEW



NOTE:
 GRILL SHOWN WITH COVER OPEN AND COOKING GRATE
 TIPPED UP TO SHOW LOWER FIRE GRATE

NOTE:
 LOCAL SOIL CONDITIONS MAY
 REQUIRE A LARGER FOOTING

ALL DIMENSIONS IN INCHES

FURNITURE LEISURE INC

OUR LIST OF WEB STORES

www.FurnitureLeisure.com
www.PicnicFurniture.com
www.ParkTables.com

www.PoolFurnitureSupply.com
www.PicnicTableSupplier.com
www.UBrace.com

COVERED PARK GRILL WITH B2 BASE -SHOWN

WITH OPTIONAL SIDE SHELF

ECG1929

DRAWN BY MGB

DATE 4-8-02

DWG. NO. AI-1464

1.800.213.2401