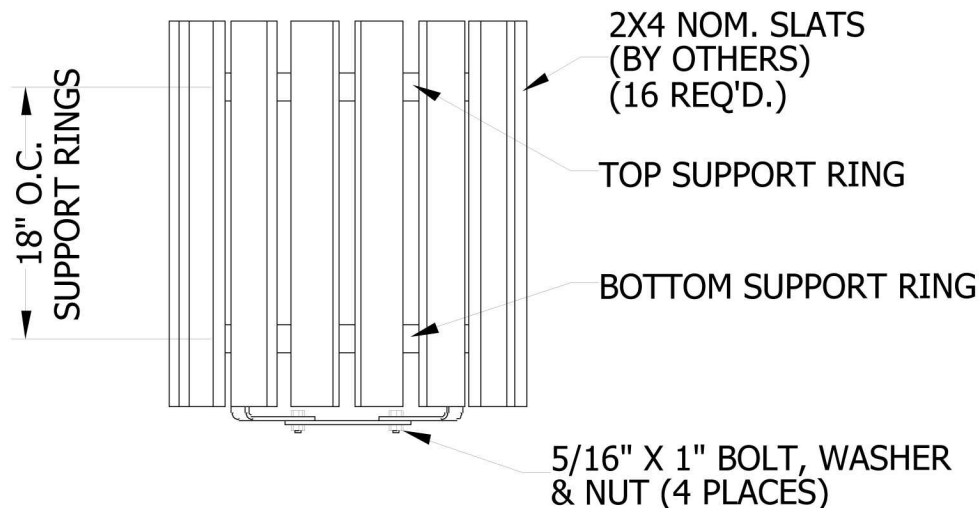
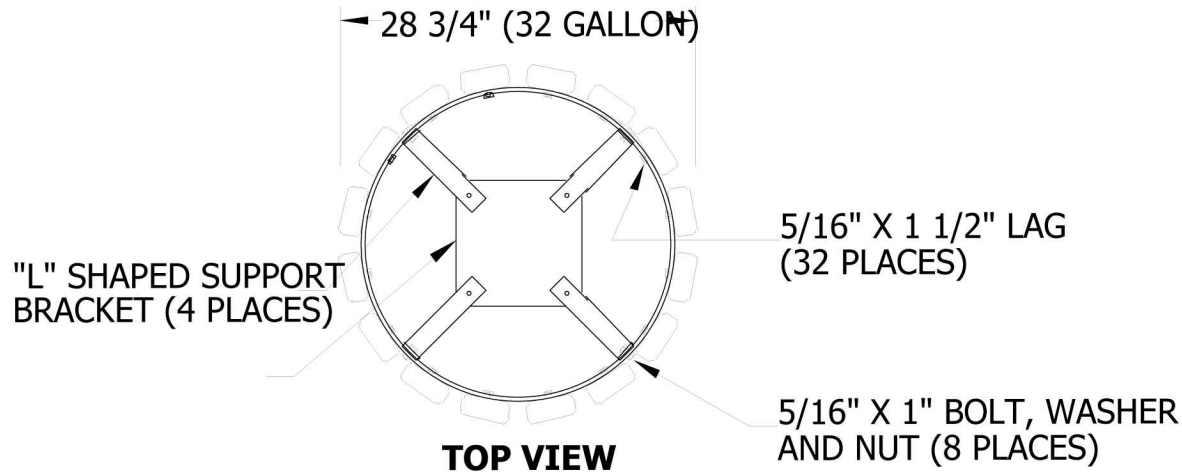


FP6205 TRASH RECEPTACLE ASSEMBLY INSTRUCTIONS



1. Loosely bolt the "L" shaped support brackets to the horizontal support rings with 5/16" x 1" bolts, lockwashers and nuts.
2. Loosely bolt the connector plate to the base of the "L" shaped support brackets with 5/16" x 1" bolts, lockwashers and nuts.
3. Square the frame assembly and tighten all fasteners.
4. with 5/16" x 1 1/2" lags.

ITEM	DESCRIPTION	QTY.
A	HORIZ. SUPPORT RING	2
B	"L" SHAPED BRACKET	4
C	CONNECTOR PLATE	1
D	32 GALLON LINER	1