

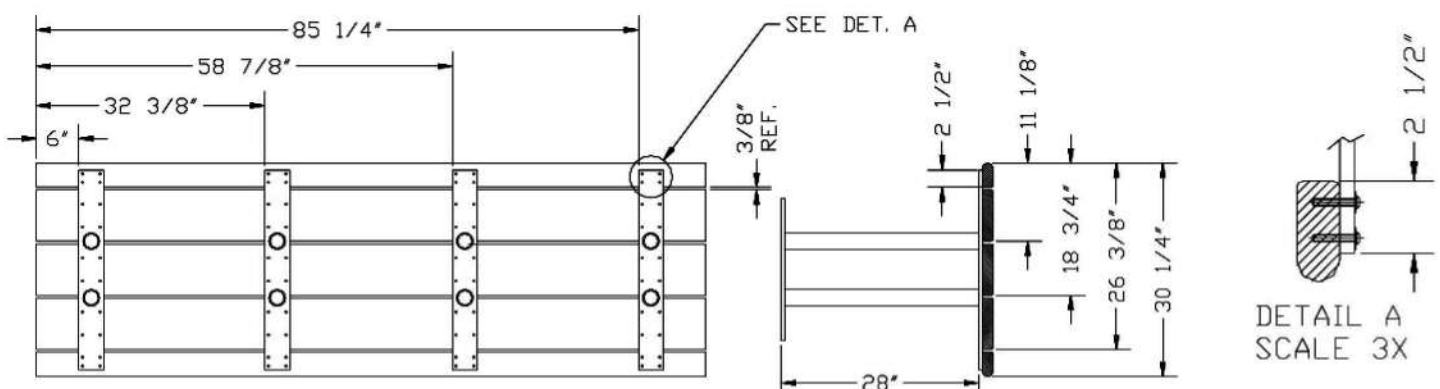
ASSEMBLY AND MOUNTING INSTRUCTIONS – FORESITE DESIGNS  
 8 FOOT TABLE, PARK AVENUE DESIGN 500201

PAGE 1

ASSEMBLY INSTRUCTIONS: 8 FOOT TABLE 500201

1. Unpack and lay out pieces to assemble. Verify that the parts, quantity, and dimensions match those on the enclosed bill of material.
2. Begin by placing two bull nose boards down on the ground or work area with curved side facing away from each other. Place the three rectangular boards between the two bull nose boards. Begin with one bull nose board and use other boards as working shims.
3. Place one weldment with plate having 20 drilled holes down against the boards and locate plate at a distance of 6 inches from plate side edge to end of bull nose and at a distance of 2 1/2 inches from plate end edge to flat side of bull nose. Use a hand square to line up plate on the bull nose surface. See diagram 1 also detail A.
4. Drill 5/32 diameter pilot hole (four places) into the board and install four 1/4 x 1 1/2 screws into the board. (use end 4 holes in metal plate of weldment as a drill guide)
5. Place the second weldment with plate having 20 drilled holes down against the board and locate at a distance of 32 3/8 inches from plate side edge to same end of bull nose used in step 3 and at a distance of 2 1/2 inches from plate end edge to flat side of bull nose. Use a hand square to line up plate on the bull nose surface. See diagram 1 also detail A.
6. Drill 5/32 diameter pilot hole (four places) into the board and install four 1/4 x 1 1/2 screws into the board. (use end 4 holes in metal plate of weldment as a drill guide)
7. Place the third weldment with plate having 20 drilled holes down against the board and locate at a distance of 58 7/8 inches from plate side edge to same end of bull nose used in step 3 and at a distance of 2 1/2 inches from plate end edge to flat side of bull nose. Use a hand square to line up plate on the bull nose surface. See diagram 1 also detail A.
8. Drill 5/32 diameter pilot hole (four places) into the board and install four 1/4 x 1 1/2 screws into the board. (use end 4 holes in metal plate of weldment as a drill guide)
9. Place the fourth weldment with plate having 20 drilled holes down against the board and locate at a distance of 85 1/4 inches from plate side edge to same end of bull nose used in step 3 and at a distance of 2 1/2 inches from plate end edge to flat side of bull nose. Use a hand square to line up plate on the bull nose surface. See diagram 1 also detail A.
10. Drill 5/32 diameter pilot hole (four places) into the board and install four 1/4 x 1 1/2 screws into the board. (use end 4 holes in metal plate of weldment as a drill guide)
11. Locate one rectangular board at a distance of 6 inches from plate side edge to end of board and at a distance of 11 1/8 inches from extreme curved side of secured bull nose at both ends of rect. board. (Ref. 3/8 inch gap between sides of boards at each end.) See diagram 1.
12. Drill 5/32 diameter pilot hole (sixteen places) into the board and install sixteen 1/4 x 1 1/2 screws into the board. (use second line of 4 holes in metal plate of weldments as a drill guide)
13. Locate second rectangular board at a distance of 6 inches from plate side edge to end of board and at a distance of 18 3/4 inches from extreme curved side of secured bull nose at both ends of rectangular board. (Ref. 3/8 inch gap between sides of rectangular boards at each end.) Diag. 1.
14. Drill 5/32 diameter pilot hole (sixteen places) into the board and install sixteen 1/4 x 1 1/2 screws into the board. (use third line of 4 holes in metal plate of weldment as a drill guide)

**DIAGRAM 1: PARK AVENUE 8 FOOT TABLE 500201**



ASSEMBLY AND MOUNTING INSTRUCTIONS – FORESITE DESIGNS  
8 FOOT TABLE, PARK AVENUE DESIGN 500201

PAGE 2

15. Locate third rectangular board at a distance of 6 inches from plate side edge to end of board and at a distance of 26 3/8 inches from extreme curved side of secured bull nose at both ends of rectangular board. (Ref. 3/8 inch gap between sides of rectangular boards at each end.) Diag. 1.
16. Drill 5/32 diameter pilot hole (sixteen places) into the board and install sixteen 1/4 x 1/2 screws into the board. (use fourth line of 4 holes in metal plate of weldment as a drill guide)
17. Locate last bull nose board at a distance of 7 3/4 inches from plate side edge to end of board and at a distance of 30 1/4 inches from extreme curved sides of both bull nose boards. (Ref. 3/8 inch gap between sides of boards at each end) See diagram 1.
18. Drill 5/32 diameter pilot hole (sixteen places) into the board and install sixteen 1/4 x 1/2 screws into the board. (use fourth line of 4 holes in metal plate of weldment as a drill guide)
19. Check square ness of table before tightening screws.
20. Set the table upright and attach one end casting (100032) to the end of the table. Diagram 2
21. Make certain the board ends fit easily into the receiving areas of the casting and the spacer lugs are between each board. Press the casting firmly up against the board ends until the casting is fully seated. Diagram 2
22. Drill 5/32 diameter pilot hole (eight places) into the board ends and install eight 1/4 x 1 1/2 screws through casting into the board ends to secure end casting to the table. (use the holes in metal casting as a drill guide) Diagram 2
23. Repeat steps 19 - 21 for the other end of table.

DIAGRAM 2: END CASTING ATTACHMENT, PARK AVENUE 8 FOOT TABLE 500201

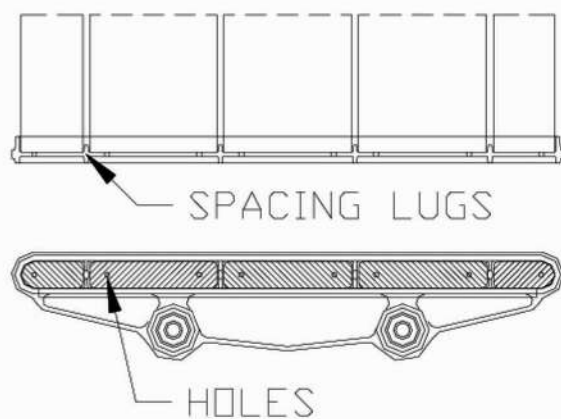


DIAGRAM 3: MOUNTING LAYOUT FOR PARK AVENUE 8 FOOT TABLE 500201

Surface mount table with 1/2 inch diameter anchors onto concrete surface at dimensions shown.  
Perimeter dimensions of table and hole locations of eight concrete anchors.

