

FURNITURE LEISURE INC

OUR LIST OF WEB STORES

www.FurnitureLeisure.com www.PoolFurnitureSupply.com
 www.PicnicFurniture.com www.PicnicTableSupplier.com
 www.ParkTables.com www.UBrace.com

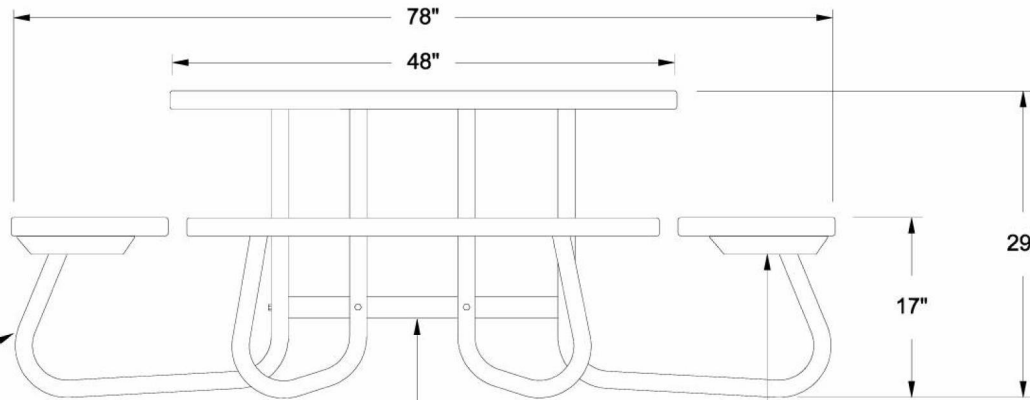
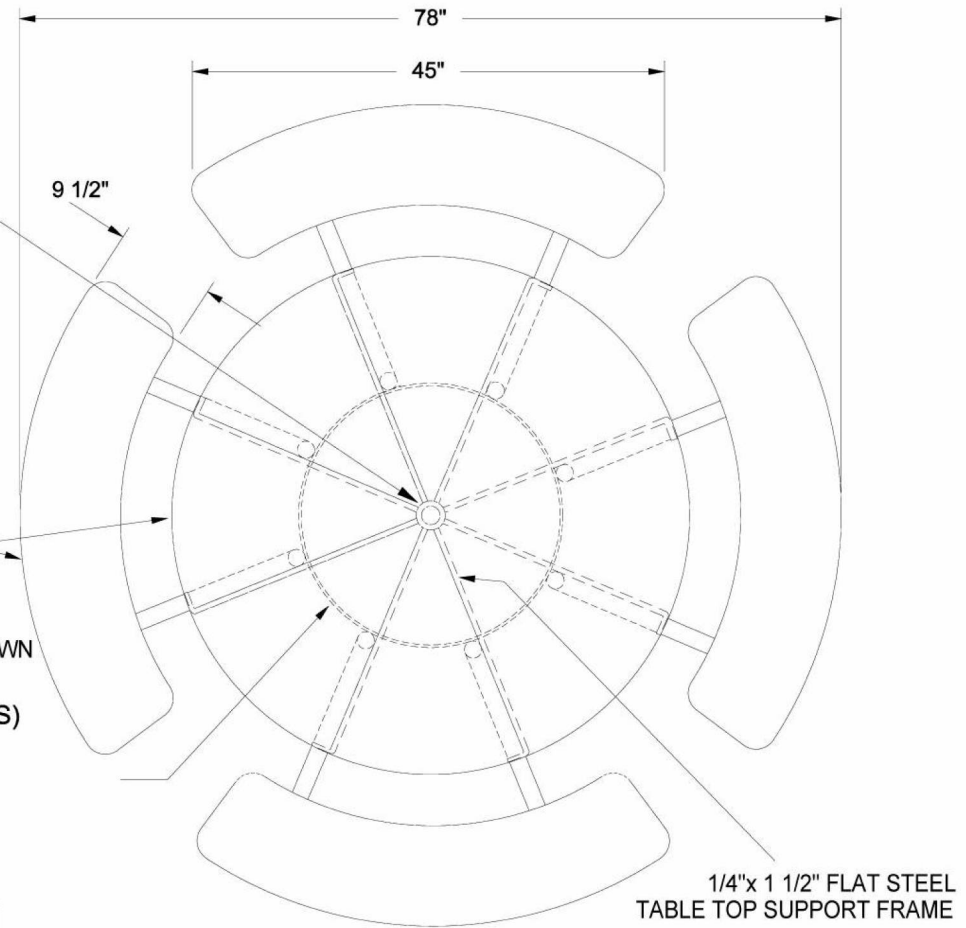
1.800.213.2401

1- 3/4" I.D. UMBRELLA HOLE
(OPTIONAL)

SEATS & TOP ARE ULTRAGEL
COATED FIBERGLASS

FRAMEWORK UNDER THE TOP IS SHOWN
WITH DASHED LINES

(TOP IS SHOWN TRANSPARENT FOR CLARITY OF FRAME DETAILS)



1-5/8" O.D. SCH. 40 PIPE
POWDER COATED BLACK OR
HOT DIPPED GALVANIZED
(BOTH COATINGS ARE AFTER FABRICATION)

CONNECTING RING
3/16" X 2" FLAT

SEAT MOUNTING ANGLES
1-3/4" X 1-3/4" X 3/16"
WELDED TO LEGS

1/4"x 1 1/2" FLAT STEEL
TABLE TOP SUPPORT FRAME

* RTRCF - FRAME POWDER COATED BLACK
RTRGF - FRAME HOT DIPPED GALVANIZED

FILE No. RTRF Specs.

MODEL	SEE ABOVE *	WT.	174 lbs.
DRAWN BY	LCB	DATE	1/22/03
		SCALE	NONE