

Oakley M3601 Specifications



Dome Top (DT) Lid Option



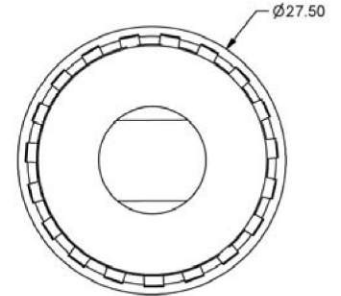
Rain Cap (RC) Lid Option



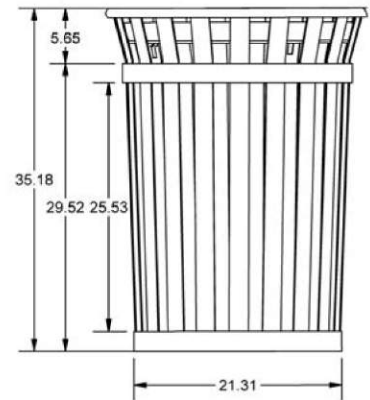
Ash & Trash (AT) Lid Option



Flat Top (FT) Lid Option



Top View



Front View

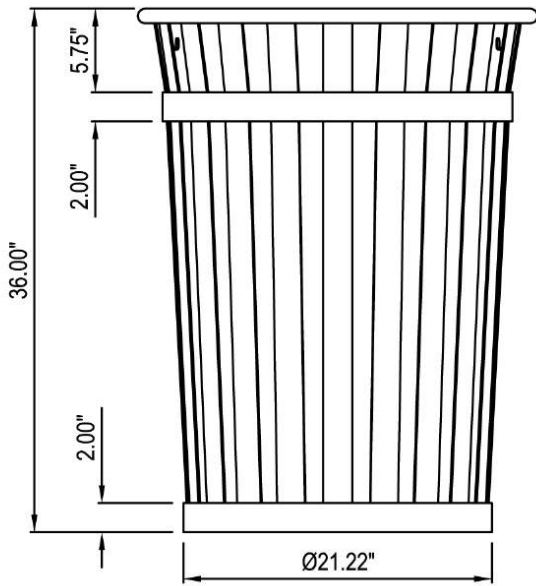
Dimensions represent can only
lid accounted for separately

Product Features

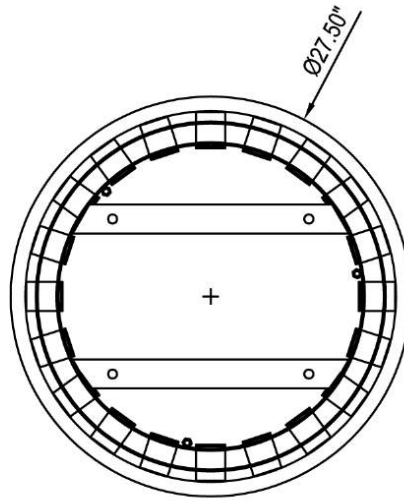
- Made from 1/8" X 2" galvanized steel slats
- Has 1" top tube
- Includes 1/8" x 2" steel horizontal bands
- TGIC Polyester Powder Coat outdoor finish
- Material is chemically prepared and zinc rich primed prior to paint
- Available in three standard colors: Black (PMS # 6C), Brown (PMS # 426C) or Green (PMS # 346C)
- Custom colors available upon request
- Unit comes Standard with 3 Stainless Steel Leveling Feet, Anchor Kit, and Lid Attachment Kit
- Black high density polyethylene rigid plastic liner
- 4 Lids options available

Dome Top (DT), Rain Cap (RC), Ash / Trash Top(AT) and Flat Top (FT)

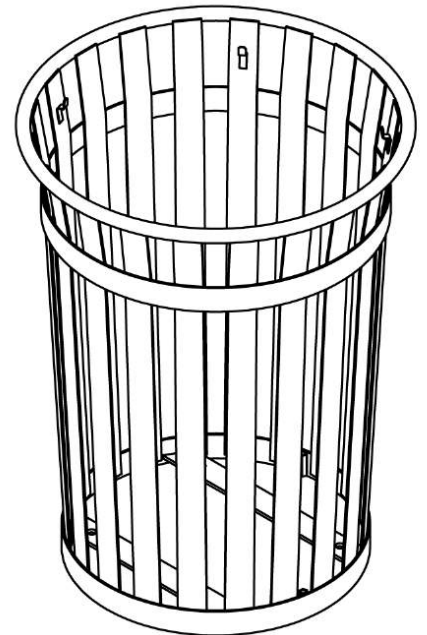
Item Number	Capacity	Dimensions	Weight	Finishes
M3601	36 gallons	27 1/2" dia x 35 1/4" high	95 lbs	Black (BK), Green (GN), Brown (BN)



FRONT VIEW



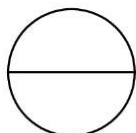
TOP VIEW



ISOMETRIC VIEW

NOTES:

1. INSTALLATION TO BE COMPLETED IN ACCORDANCE WITH MANUFACTURER'S SPECIFICATIONS.
2. ALL DIMENSIONS ARE CONSIDERED TRUE AND REFLECT MANUFACTURER'S SPECIFICATIONS.
3. DO NOT SCALE DRAWING.
4. CONTRACTOR'S NOTE: FOR PRODUCT AND COMPANY INFORMATION VISIT www.CADdetails.com/info REFERENCE NUMBER 3425-021.



RECEPTACLES

M3601 - OAKLEY RECEPTACLE WITH PLASTIC LINER 36 GAL.