

SPEC SHEET: NGC

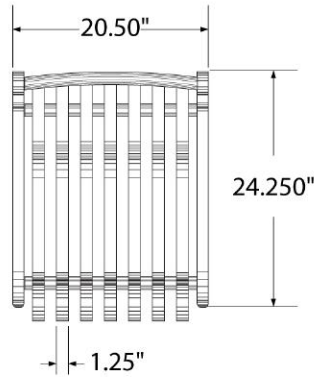
NORTHGATE METAL CHAIR

Wt. 60 lbs

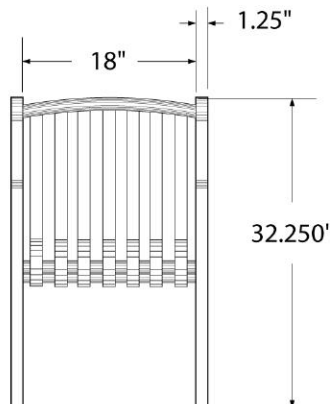
photo



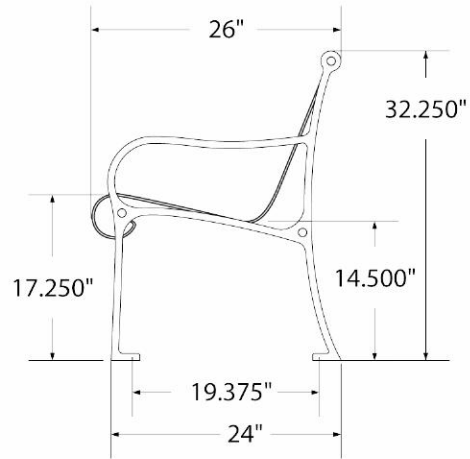
top view



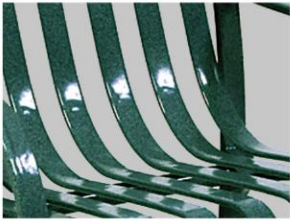
front view



side view



product details



Coated Surfaces:

- Thermoplastic coated
- Copolymer-based, environmentally safe
- Does not fade, crack, peel warp
- Applied at a thickness of 25-30 mils.
- 5 Year warranty on coating

Construction:

- 1/4" x 1 1/4" Steel straps
- 1 1/4" Wide cast iron legs
- 1/2" Mounting holes in chair feet