

SPEC SHEET: RF32DP

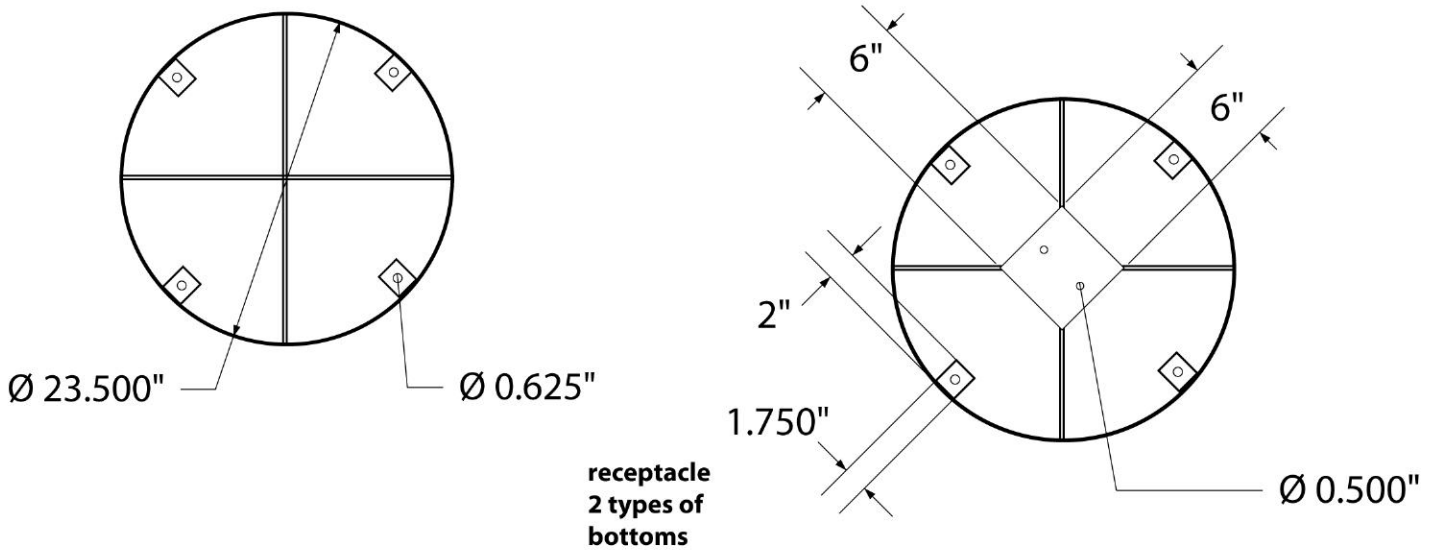
32 GALLON PERSONALIZED DIAMOND RECEPTACLE *portable*

Wt. 80 lbs

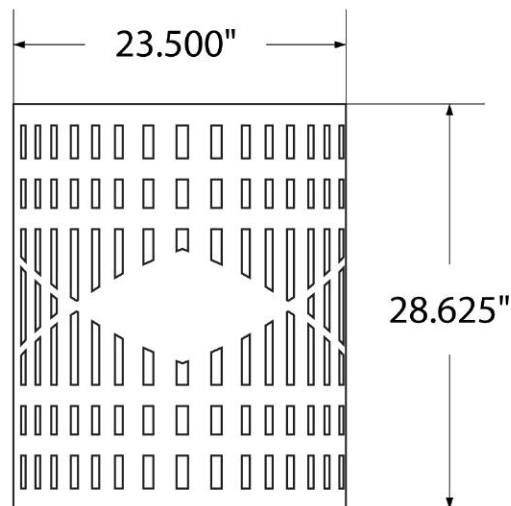
photo



bottom / top view



front view



product details



Coated Surfaces:

- Thermoplastic coated
- Copolymer-based, environmentally safe
- Does not fade, crack, peel or warp
- Applied at a thickness of 25-30 mils.
- 5 Year warranty on coating

Construction:

- 11 Gauge steel

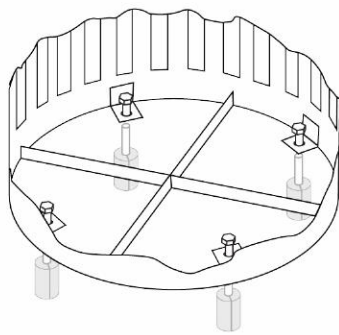
mounting types

P = Portable : no mount

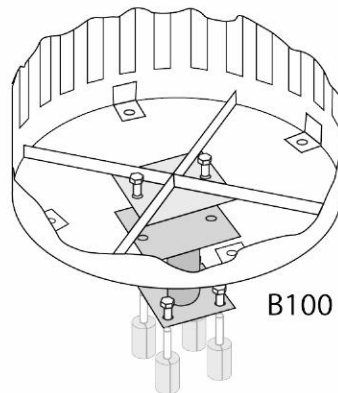
SM 1= Surface Mount1:
concrete anchors
through taps welded
to receptacle bottom
mount

SM 2= Surface Mount2:
bolts through bottom plate into B100
surface mount. B100 Mounted to
ground with anchors embedded
in concrete.

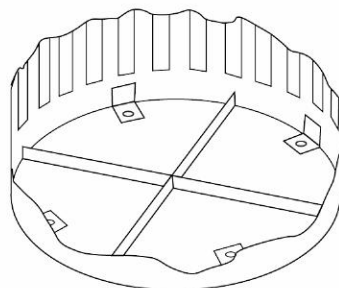
IG= In-Ground:
anchor bolts attach
to B200 receptacle
mount



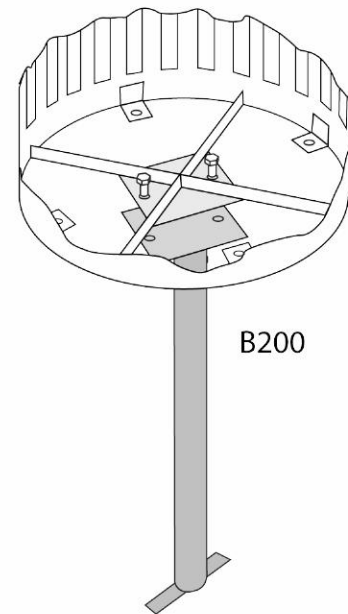
SURFACE MOUNT (1)



SURFACE MOUNT ((2))



PORTABLE



IN-GROUND