

**SPEC SHEET: 36TABX30**

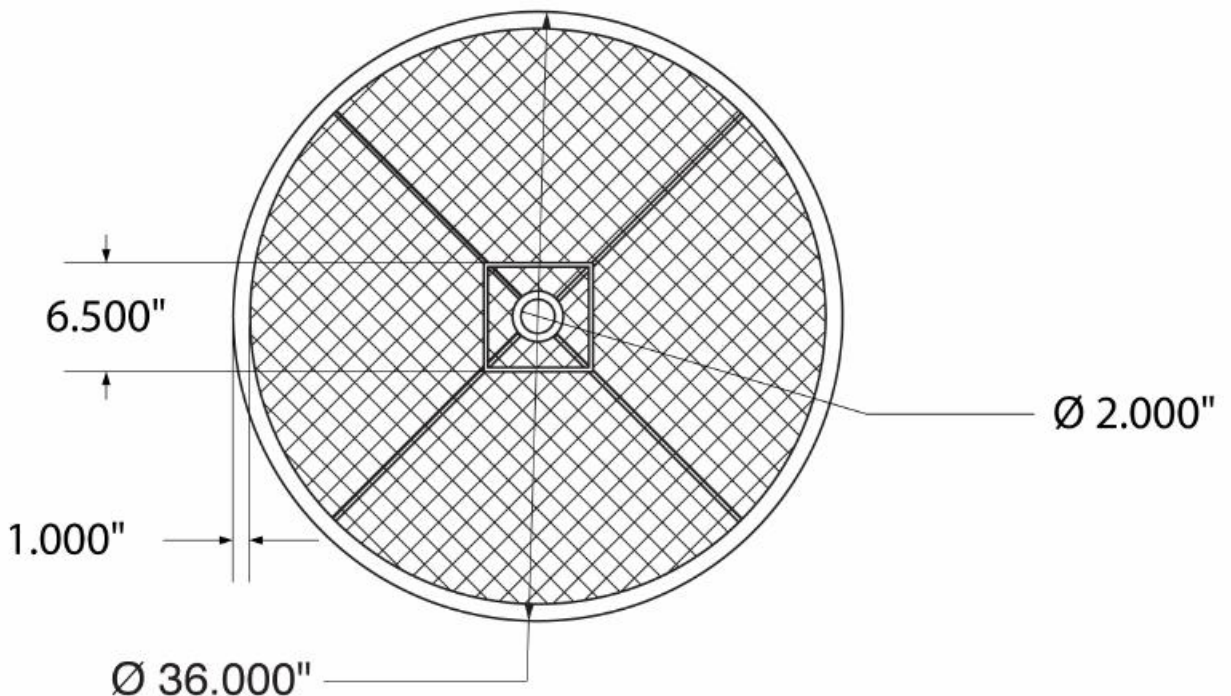
**36" EXPANDED PEDESTAL TABLE 30" high**

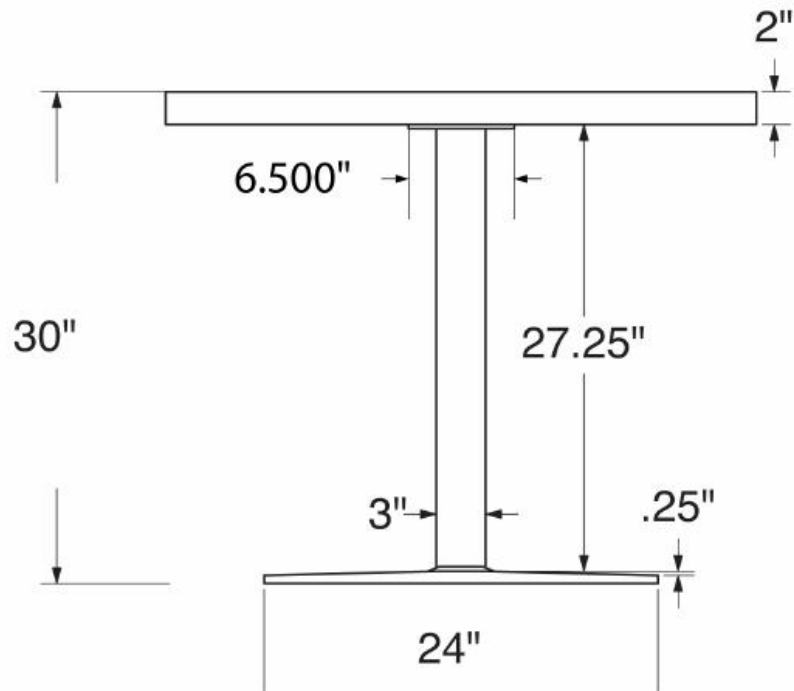
**Wt. 80 lbs**

*photo*



*top view*





product details



Coated Surfaces:

- Thermoplastic coated
- Copolymer-based, environmentally safe
- Does not fade, crack, peel or warp
- Applied at a thickness of 25-30 mils.
- 5 Year warranty on coating

Construction:

- Table tops - 9 gauge steel
- 3" Tubular steel support
- Cast iron base
- Nuts, washers and bolts - galvanized steel