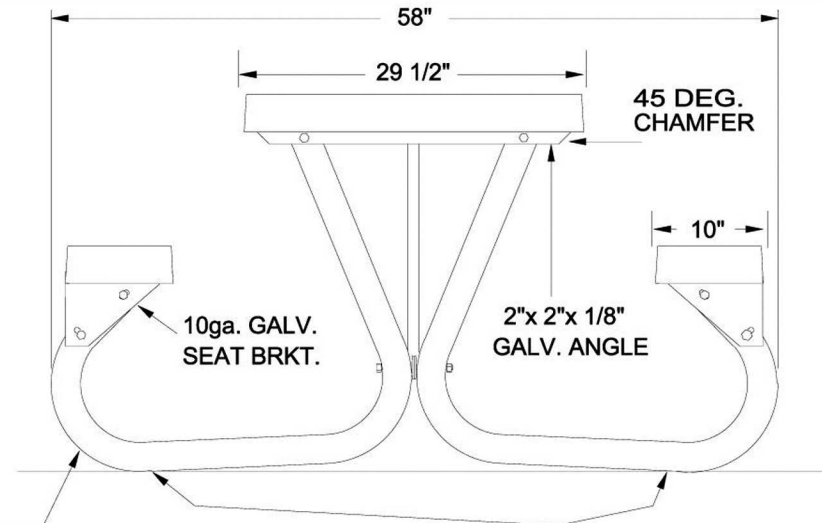


1 5/16" O.D.
GALVANIZED TUBE

30"

18"

2 3/8" O.D. GALVANIZED HIGH
TENSILE TUBE FOR LONGER
LIFE.



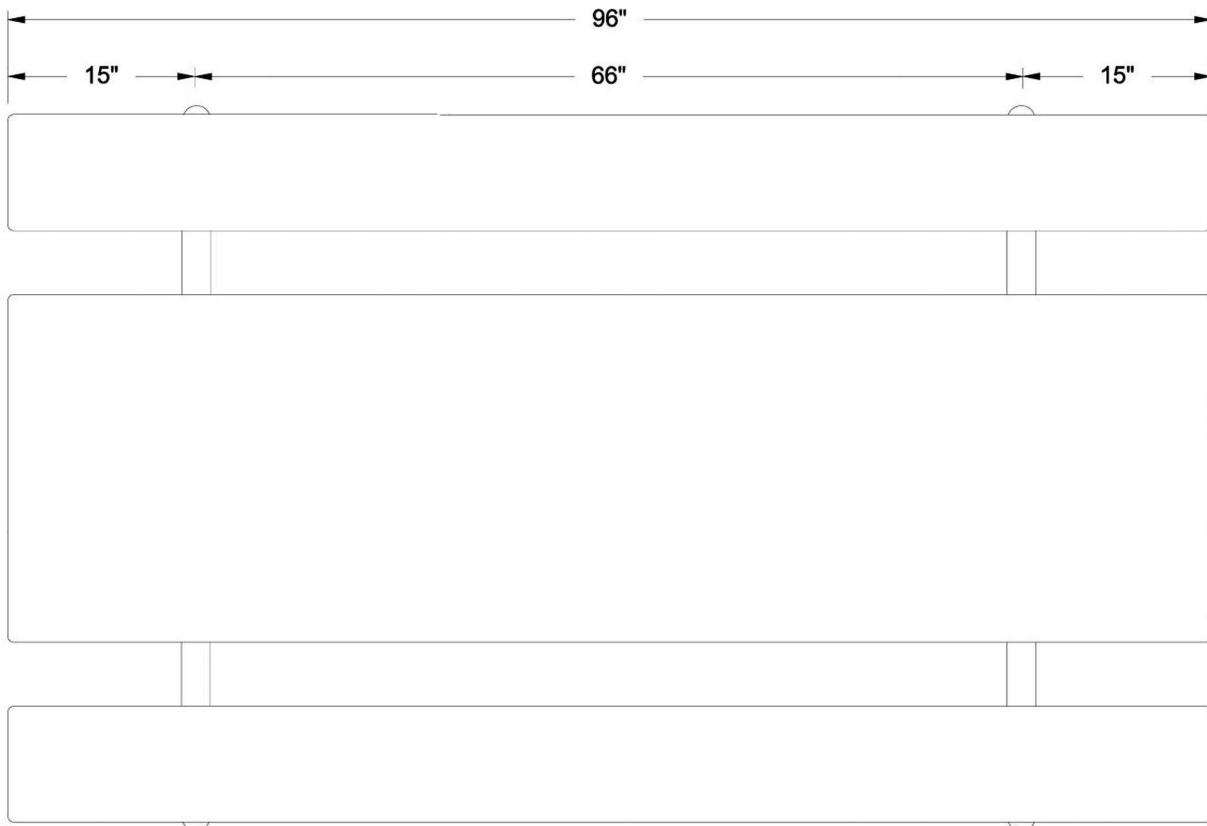
10ga. GALV.
SEAT BRKT.

2"x 2"x 1/8"
GALV. ANGLE

45 DEG.
CHAMFER

10"

THE TABLE RESTS ON THE FOUR OUTSIDE CORNERS
SO THAT IT WILL NOT ROCK ON UNEVEN GROUND.



96"

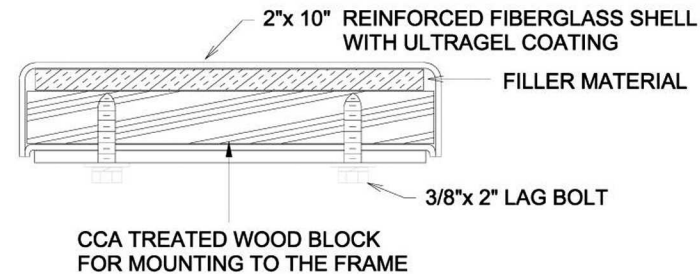
15"

66"

15"

FIBERGLASS PLANK
SEE DETAIL

CUT AWAY VIEW OF FIBERGLASS PLANK



2"x 10" REINFORCED FIBERGLASS SHELL
WITH ULTRAGEL COATING

FILLER MATERIAL

3/8"x 2" LAG BOLT

CCA TREATED WOOD BLOCK
FOR MOUNTING TO THE FRAME

FURNITURE LEISURE INC

OUR LIST OF WEB STORES

www.FurnitureLeisure.com
www.PicnicFurniture.com
www.ParkTables.com

www.PoolFurnitureSupply.com
www.PicnicTableSupplier.com
www.UBrace.com

1.800.213.2401

MODEL	82BGF		WT.	244 lbs.
DRAWN BY	LCB	DATE	2/27/98	SCALE
				NONE

REV. 1/29/03, CHANGED TOP HEIGHT