

ASSEMBLY DRAWING
MODEL #:6J2GA

FURNITURE LEISURE INC

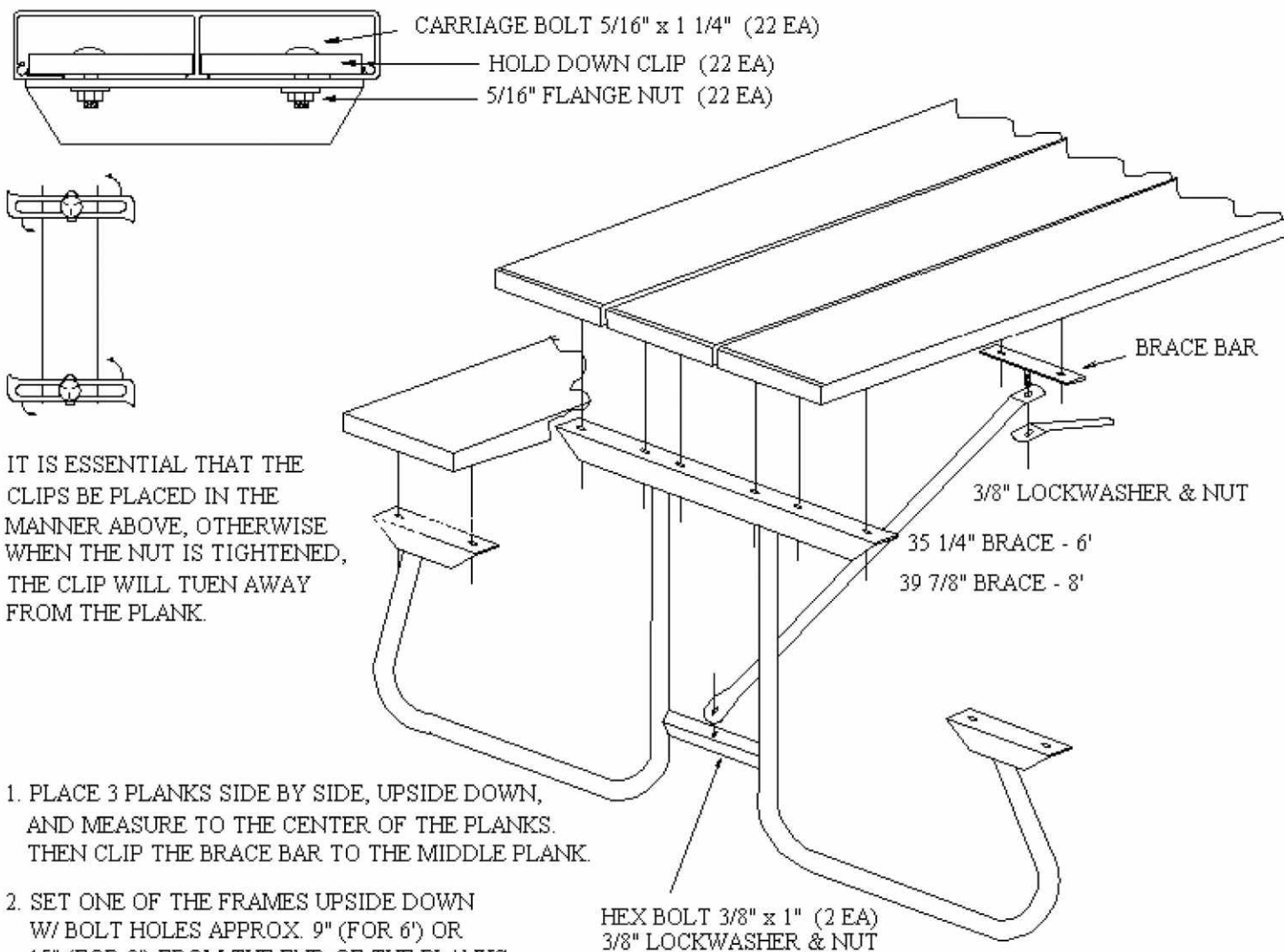
OUR LIST OF WEB STORES

www.FurnitureLeisure.com
www.PicnicFurniture.com
www.ParkTables.com

www.PoolFurnitureSupply.com
www.PicnicTableSupplier.com
www.UBrace.com

1.800.213.2401

KAY PARK ASSEMBLY INSTRUCTIONS FOR 6/8CJGA OR 6/8J2GA



IT IS ESSENTIAL THAT THE CLIPS BE PLACED IN THE MANNER ABOVE, OTHERWISE WHEN THE NUT IS TIGHTENED, THE CLIP WILL TUEN AWAY FROM THE PLANK.

1. PLACE 3 PLANKS SIDE BY SIDE, UPSIDE DOWN, AND MEASURE TO THE CENTER OF THE PLANKS. THEN CLIP THE BRACE BAR TO THE MIDDLE PLANK.
2. SET ONE OF THE FRAMES UPSIDE DOWN W/ BOLT HOLES APPROX. 9" (FOR 6') OR 15" (FOR 8') FROM THE END OF THE PLANKS. CLIP THIS LEG IN PLACE W/ TWO CLIPS PER PLANK.
3. NOW PLACE THE DIAGANOL BRACE ON THE BRACE BAR & THE LEG AS SHOWN. TIGHTEN THE CLIPS. REPEAT THIS FOR THE OTHER END OF THE TABLE. BE SURE THE FRAME ANGLES FACE INWARD TOWARDS EACH OTHER.
4. TURN THE TABLE OVER AND PLACE TWO SEAT BOARDS ON THE SEAT BRACKETS. ATTACH THEM WITH CLIPS AND TIGHTEN ALL BOLTS.
5. PUT THE ENDCAPS ONTO THE PLANKS W/ THE DRIVE SCREWS PROVIDED.