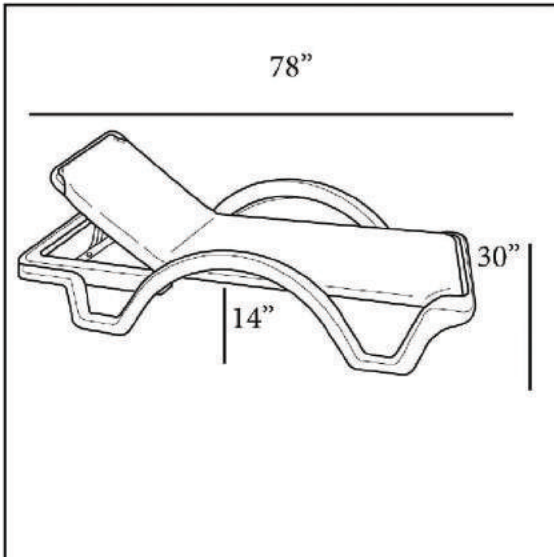


# CATALINA

## Adjustable Sling Chaise with Arms

*Ask about our custom sling chaise program!*

**Passes ASTM F1988-99 Class B performance standard for commercial outdoor lounging.**



**Features & Benefits**

**Warranty: 3 Yrs.**

- Specifically made for commercial use.
- Designed for enduring comfort with a firm breathable and supportive commercial grade sling and 5-position adjustable back.
- Solid one-piece molded frame construction.
- Easy to replace sling fabric for repair or refurbishment
- Recessed wheels for ease of mobility.
- Woven vinyl coated polyester fabric for strength and color-fastness.
- Sanitized\* mesh fabric for mildew resistance.
- Cleans easily with a solution of mild detergent (refer to our cleaning instructions).
- "Memory" sling and resin frame assembly by elastic cordage for excellent recovery and shape retention.
- Will stay cool in the hot sun.
- Rated to 300 pounds for safe use in commercial environment.
- Naturally impervious to salt air and most common stains.
- Stackable for easy storage.
- Fabric can be customized with property logo.
- Frame: 3 Year Commercial Warranty on Frame.
- Sling: 3 Years against tearing - 1 Year against discoloration by U.V. light.

**Product Specifications**

Product Description	Reference Number	Color	UPC Code	Weight Each (lbs.)	Master Pack	Master Pack Volume (cu. ft.)
White Frame	99202006	Blue	129426	35.00	14	98.36