

# T8INNV

8' INNOVATED STYLE TABLE  
PORTABLE DESIGN

## FURNITURE LEISURE INC

### OUR LIST OF WEB STORES

[www.FurnitureLeisure.com](http://www.FurnitureLeisure.com)  
[www.PicnicFurniture.com](http://www.PicnicFurniture.com)  
[www.ParkTables.com](http://www.ParkTables.com)

[www.PoolFurnitureSupply.com](http://www.PoolFurnitureSupply.com)  
[www.PicnicTableSupplier.com](http://www.PicnicTableSupplier.com)  
[www.UBrace.com](http://www.UBrace.com)

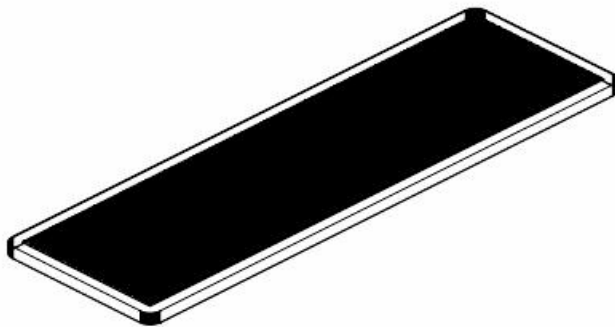
**1.800.213.2401**

Please take the time to locate and identify each part. Assemble the units on a smooth flat surface. It is also helpful to lay the tops and seats on cardboard or a drop cloth to prevent scratching of the surface during assembly. All parts have been pre-cut and pre-drilled for ease of assembly. All holes are slotted to allow for easy assembly and for final levelling of tops and seats to frames. Fully assemble all parts without totally tightening nuts and bolts. After all assembled go back and retighten nuts to bolts. **DO NOT OVER TIGHTEN NUTS TO BOLTS.** Over tightened nuts can crack the plastisol coating. All the necessary quantities of parts required are listed in this assembly instructions.

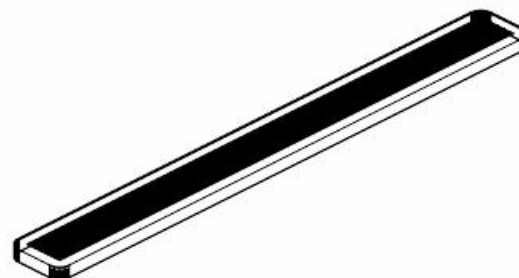
**DO NOT BEGIN ASSEMBLY UNTIL YOU HAVE READ THESE INSTRUCTIONS AND ARE FAMILIAR WITH THE PARTS.**



# PARTS IDENTIFICATION



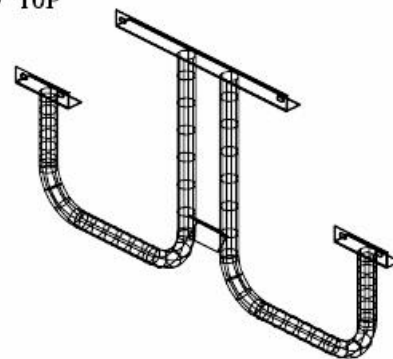
(A) 8' INNV TOP



(A) 8' INNV TOP



(C) DIAGONAL



(D) "H" FRAME

## PARTS LIST

| ITEM | PART#   | DESCRIPTION  | QTY. |
|------|---------|--------------|------|
| A    | TT8INNV | 8' INNV TOP  | 1    |
| B    | S8INNV  | 8' INNV SEAT | 2    |
| C    | D8T     | DIAGONAL     | 2    |
| D    | FH      | "H" FRAME    | 2    |

| ITEM | HARDWARE DESCRIPTION    | QTY. |
|------|-------------------------|------|
| HW1  | 5/16" X 18 NYL LOCKNUTS | 15   |
| HW2  | 5/16" X 18GA CAP BOLTS  | 15   |
| HW3  | 5/16" FLAT WASHERS      | 30   |
| HW4  | BOLT GUARDS             | 15   |

ASSEMBLY TOOLS REQUIRED  
2- 1/2" WRENCHES

## HARDWARE IDENTIFICATION



(HW1) 5/16" X 18  
NYL LOCKNUTS



(HW2) 5/16" X 18  
GAUGE CAP BOLTS



(HW3) 5/16"  
FLAT WASHERS



(HW4) BOLT  
GUARDS

# ASSEMBLY PROCEDURES

## STEP 1

LAY TOP UPSIDE DOWN ON A SMOOTH FLAT SURFACE. MOUNT ONE SET OF H FRAMES TO EACH END OF TABLE, SQUARED TO THE TOP. TABS WELDED ON FRAMES FOR DIAGONALS MUST BE FACING EACH OTHER. ANGLE IRON ON FRAMES MUST BE BOLTED TO OUTSIDE OF BRACES ON TABLE TOP. FASTEN BY MEANS OF FOUR 5/16" X 1 1/2" CAP BOLTS, EIGHT 5/16" FLAT WASHERS AND FOUR 5/16" NYLOCK NUTS.  
HAND TIGHTEN ONLY AT THIS TIME.

## STEP 2

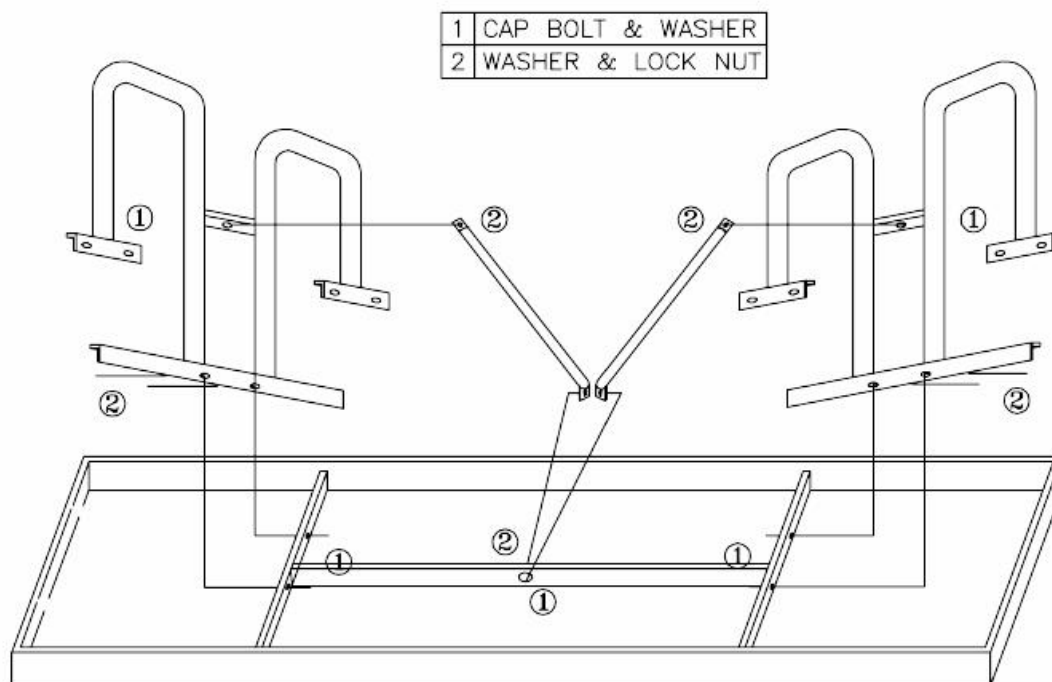
MOUNT THE SET OF DIAGONALS TO HOLE ON CENTER BRACE OF TABLE TOP. MOUNT OTHER END OF DIAGONAL TO THE 1 1/2" X 1 1/2" ANGLE IRON ON FRAME. FASTEN TOGETHER BY MEANS OF THREE 5/16" X 1 1/2" CAP BOLTS, SIX FLAT WASHERS AND FOUR 5/16" NYLOCK NUTS.  
HAND TIGHTEN ONLY AT THIS TIME.

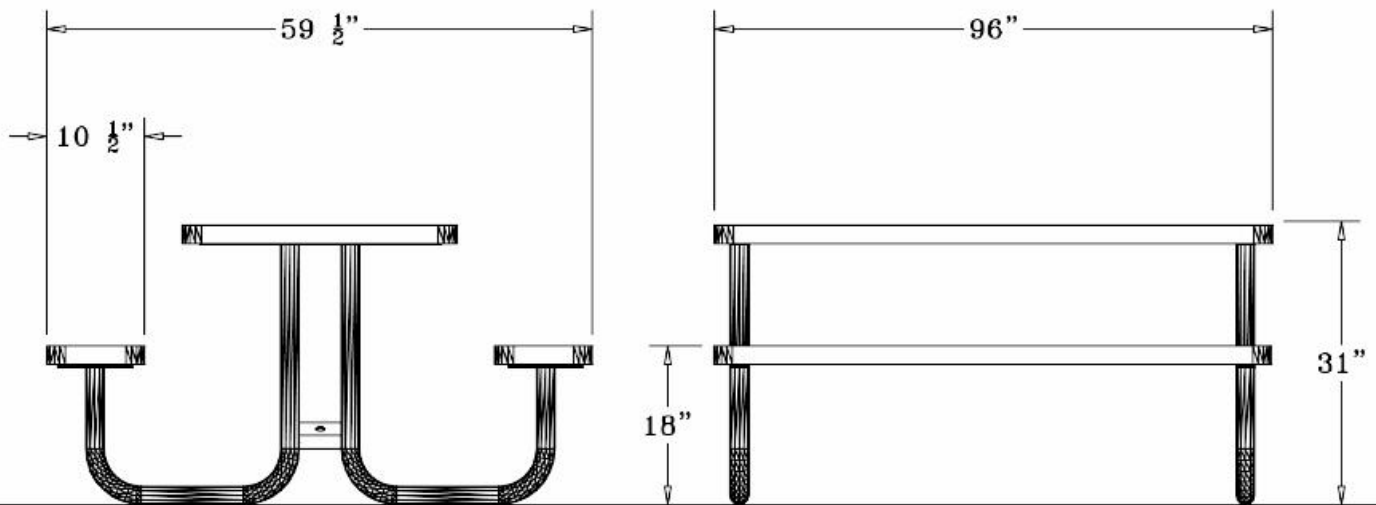
## STEP 3

CAREFULLY SET TABLE UPRIGHT. ATTACH THE SEATS TO FRAMES BY MEANS OF EIGHT 5/16" X 1 1/2" HEXBOLTS, SIXTEEN FLAT WASHERS AND EIGHT 5/16" NYLOCK NUTS.  
HAND TIGHTEN ONLY AT THIS TIME.

## STEP 4

TIGHTEN ALL BOLTS IN ALTERNATING PATTERNS TO KEEP THE FRAMES STRAIGHT UNDER THE TOPS AND SEATS AS YOU ARE TIGHTENING.





## SPECIFICATIONS

8' POLY VINYL COATED PUNCHED STEEL TABLE TOP WITH TWO ATTACHED 96" X 10 1/2" SEATS. ALL CORNERS ARE ROUNDED. THE FRAME IS PORTABLE DESIGN.

COATED WITH A 1/8" TO 1/4" THICK PLASTISOL ULTRAVIOLET STABILIZED VINYL COATING FUSED AND BAKED TO A 90% GLOSS.

TABLE HEIGHT 31" APPROXIMATELY. SEAT HEIGHT IS 18" APPROXIMATELY. TOTAL OVERALL DIMENSIONS ARE 96" X 59 1/2" APPROXIMATELY.

TOP AND SEATS ARE MADE FROM 3/8" PRECISION PUNCHED STEEL. ALL CENTER BRACES ARE MADE FROM 1/4" X 1 1/2" FLAT STEEL.

FRAME IS A 2 3/8" HEAVY GALVANIZED STEEL TUBING THAT IS GALVANIZED INSIDE AND OUT AND MEETS OR EXCEEDS THE YIELD AND TENSILE OF SCH 40 PIPE. CONSTRUCTED SO AS TO PROHIBIT RAIN WATER FROM COLLECTING AT GROUND LEVEL. COATED WITH A BAKED ON POLYESTER POWDER COAT FINISH.

THE CROSS BRACE IS MADE OF 1" GALV. STEEL TUBING.

ALL HARDWARE IS NON-CORROSIVE. WEIGHT FOR THE T81NNV IS 282 LB.

## MAINTENANCE

To maintain luster it is recommended to wash, rinse, and dry the units after prolonged use. Check for loose bolts and nuts and tighten as needed. Contact the factory for genuine Webcoat part replacements if needed.