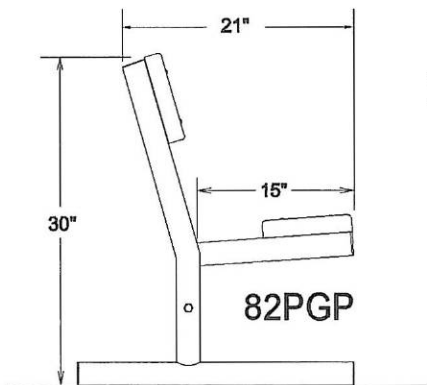
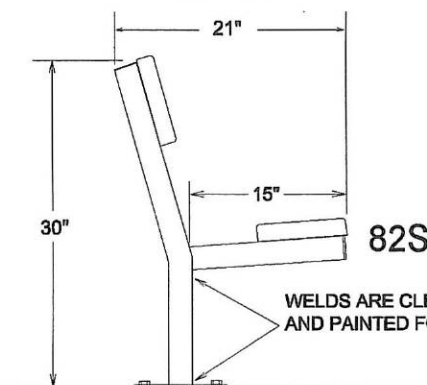


END VIEWS



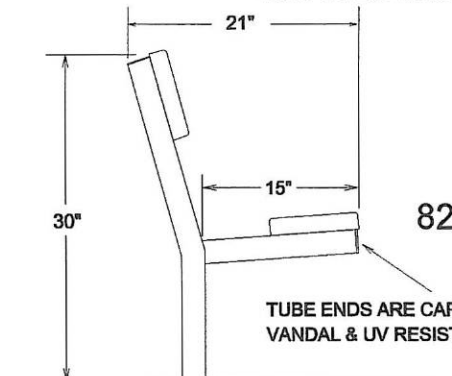
82PGP



82SGPSM

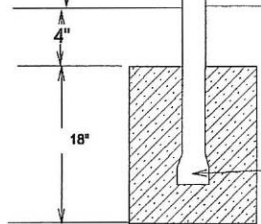
WELDS ARE CLEANED, COLD GALVANIZED AND PAINTED FOR A LONG LIFE

6" 2 7/16" HOLES PER MOUNTING PLATE



82SGP

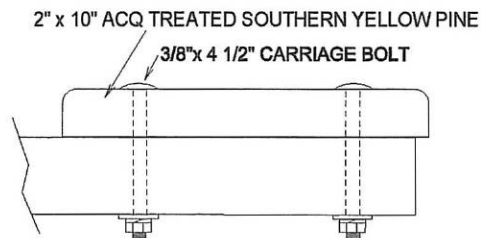
TUBE ENDS ARE CAPPED WITH VANDAL & UV RESISTANT PLASTIC CAPS



NOTE: THE BURY DEPTH OF THE CONCRETE FOOTING IS ONLY A SUGGESTION THE LOCAL SOIL CONDITIONS SHOULD DETERMINE WHAT IS NECESSARY

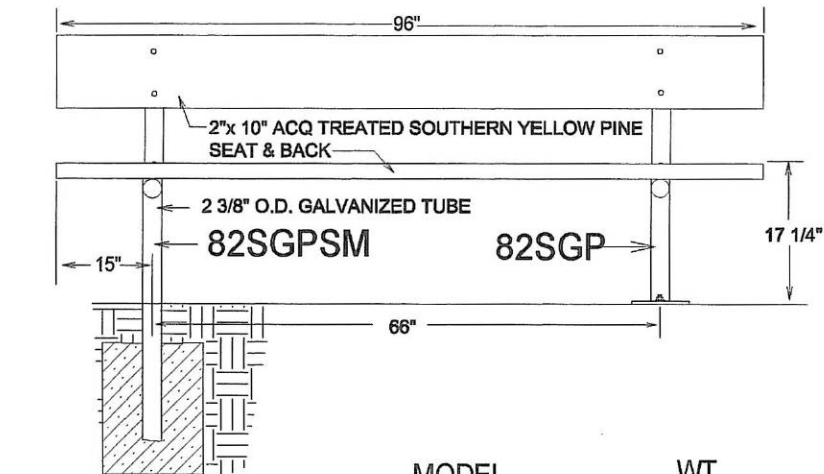
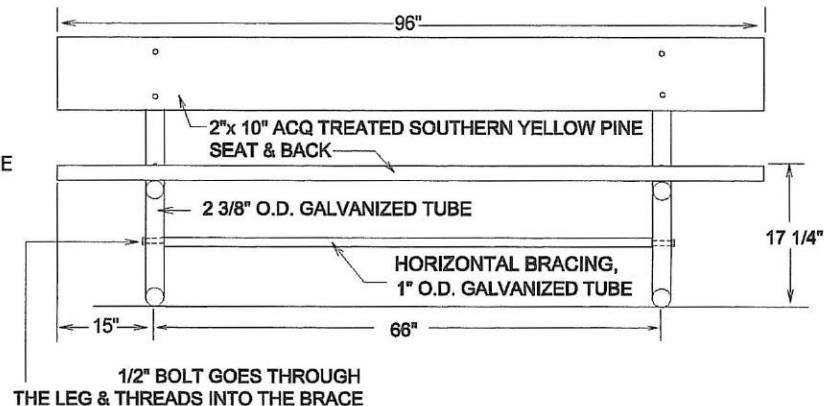
THE ENDS OF THE LEGS ARE DEFORMED FOR PERMANENT ANCHORING IN CONCRETE

DETAIL OF PLANK



FRONT VIEW

82PGP



MODEL	WT.
82SGP	91 lbs.
82SGPSM	91 lbs.
82PGP	101 lbs.

REV 10/00

FILE NO. 82PGP,82SGP,82SGPSM

MODEL	SEE ABOVE		WT.	SEE ABOVE	
DRAWN BY	JB	DATE	10/13/00	SCALE	NONE