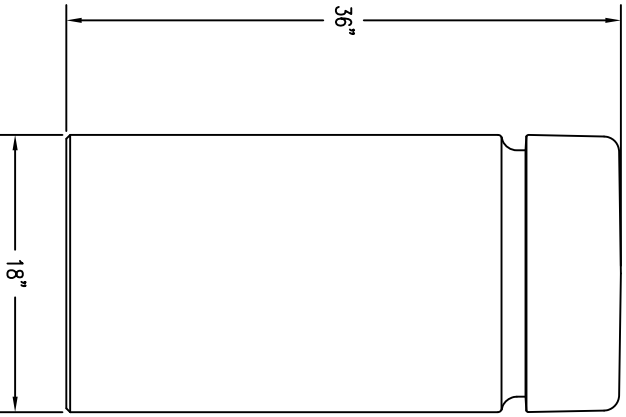
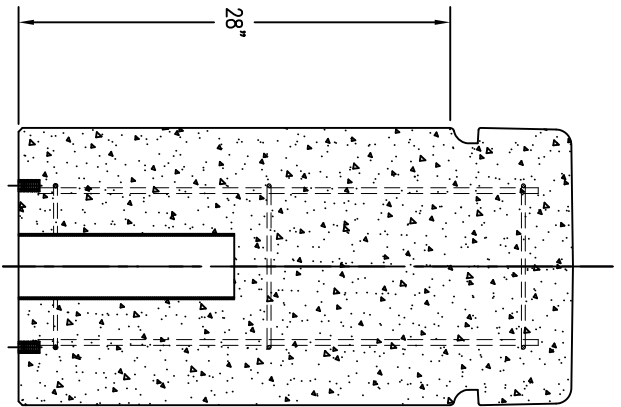


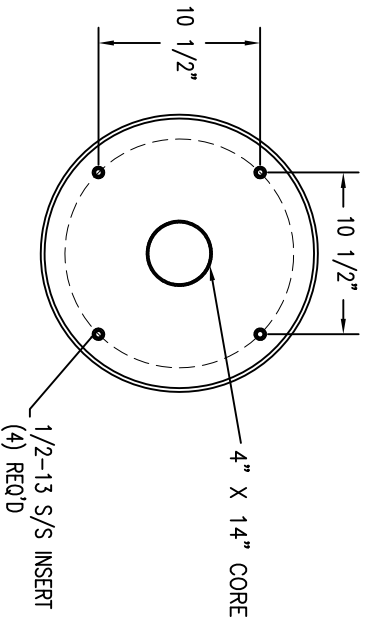
1 TOP VIEW



2 ELEVATION VIEW



4 CROSS SECTION



3 BOTTOM VIEW

**WAUSAU TILE**  
 P.O. BOX 1320 WAUSAU, WI 54402-1320  
 E-MAIL: SALES@WAUSAUTILE.COM  
 WEB SITE: WWW.WAUSAUTILE.COM

REVISIONS		
NAME	DATE	NOTES
1		
2		
3		
4		
5		
6		
7		
8		

THESE DRAWING, SPECIFICATIONS AND OTHER INFORMATION ARE THE PROPERTY OF WAUSAU TILE, INC. THE DRAWINGS HEREON SHALL BELONG TO THE OWNER AND SHALL BE RETURNED TO THE OWNER UPON COMPLETION OF THE PROJECT. ANY ADDITIONAL USE SHALL REQUIRE THE PRIOR WRITTEN APPROVAL OF WAUSAU TILE, INC. THE PROPRIETARY INFORMATION CONTAINED HEREIN IS THE BUSINESS AND THE SOLE PROPERTY OF WAUSAU TILE, INC.

JOB NAME  
 ADDRESS  
 CITY, STATE ZIP

UNLESS OTHERWISE SPECIFIED  
 DIMENSIONS ARE IN INCHES  
 FINISHES AS SHOWN

DRAWN BY: SK  
 DATE: 6/10/15  
 CD NUMBER: 7  
 WEIGHT: 800 LBS

PRODUCT NO.  
**TF 6016**