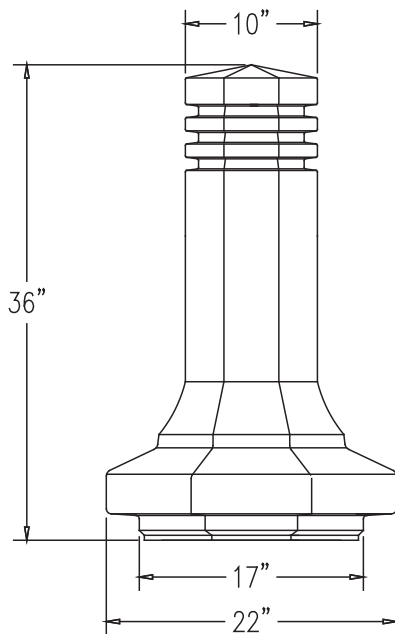


# TF6063

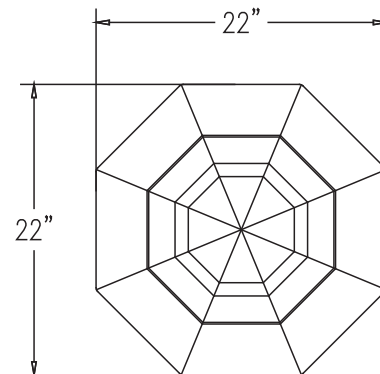
## Soldier Field Portable Concrete Bollard

### Product Data

Size	22"dia x 36"h
Weight	400 lbs
Material	Reinforced Concrete
Anchoring	Anchoring Optional: Option A - (4) 1/2" Threaded Inserts Option B - 4"dia x 14" Core
Sealed	Factory Sealed



ELEVATION VIEW



TOP VIEW