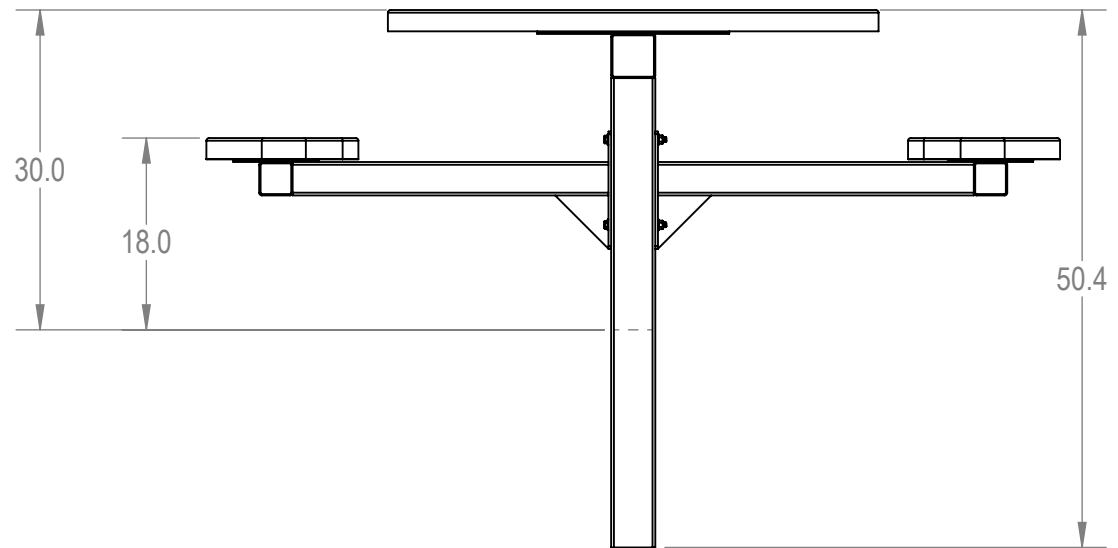
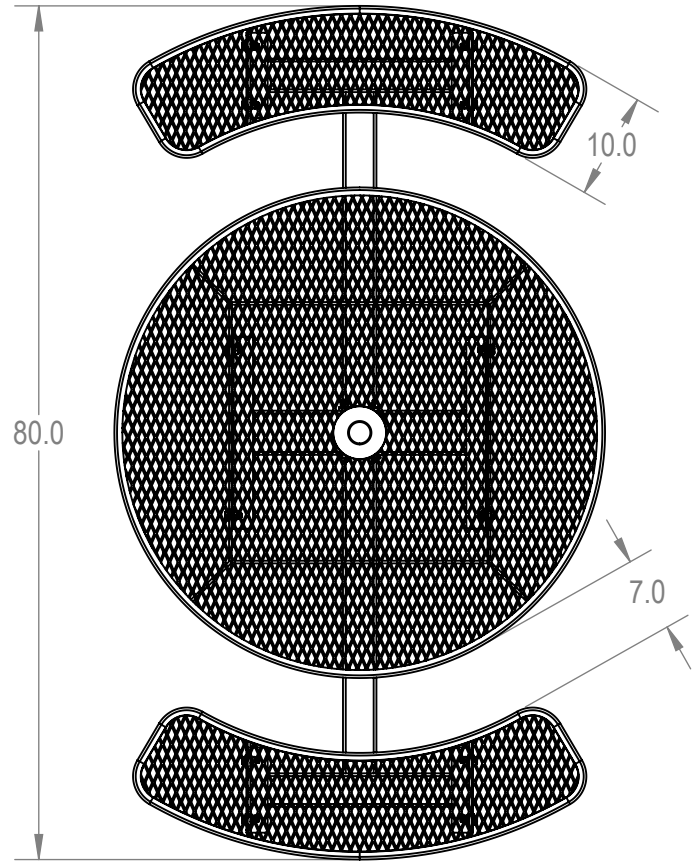


Model Numbers:
 TRD46-A-16-002 - RHINO Coating
 TRD46-C-16-002 - ELITE Coating



Furniture Leisure
 Commercial Site Furnishings

FurnitureLeisure.com PoolFurnitureSupply.com
 PicnicFurniture.com PicnicTableSupplier.com
 ParkTables.com UBrace.com

1-800-213-2401 | sales@furnitureleisure.com

PROPRIETARY AND CONFIDENTIAL

THE INFORMATION CONTAINED IN THIS DRAWING IS THE SOLE PROPERTY OF Aadvantage Panels & Fence, Inc. PO Box 1790 Whitney, TX. ANY REPRODUCTION IN PART OR AS A WHOLE WITHOUT THE WRITTEN PERMISSION OF Aadvantage Panels & Fence, Inc. PO Box 1790 Whitney, TX. IS PROHIBITED.

	NAME	DATE	TRD46-AC-16-002	
DRAWN	GM	2/16/2016	TITLE:	
SALES APPR.			46" Round Top Pedestal Table - 2 Seat - Inground	
CLIENT APPR.			Expanded Seat Version	
MFG APPR.			SIZE	DWG. NO.
Q.A.			A	TRD46-A-16-012
Design By -			WEIGHT:	REV
CADWorksPro Chicago, IL				1
www.cadworkspro.com				SHEET 2 OF 3