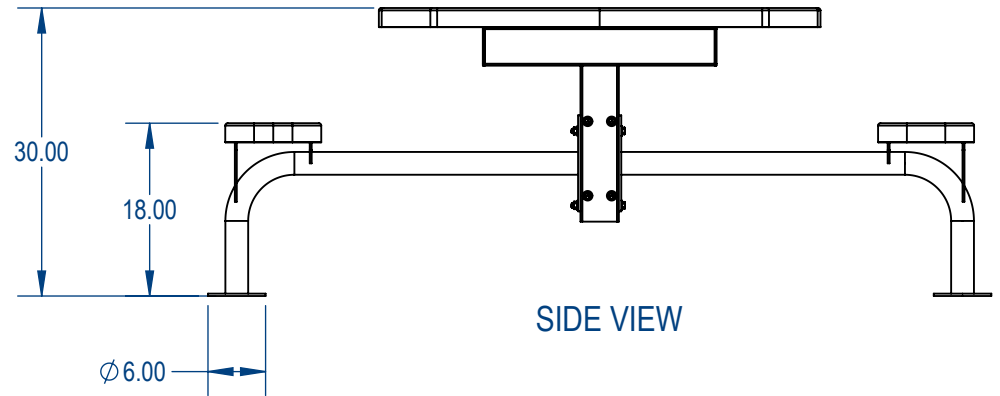
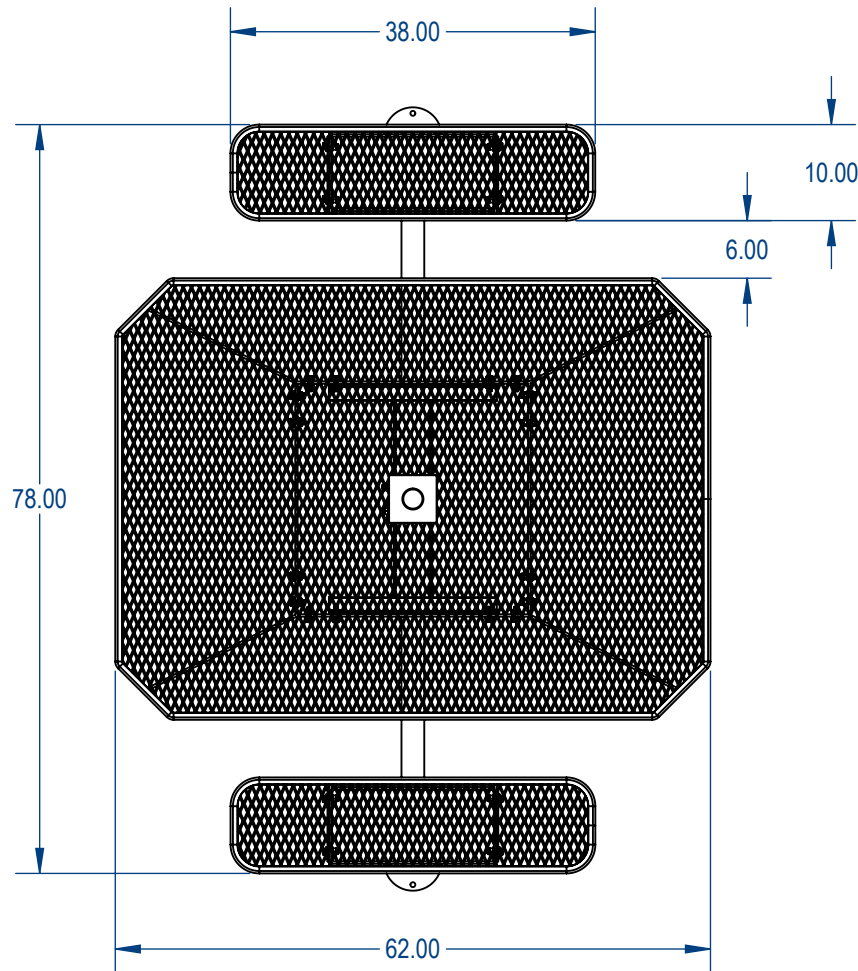


RHINO Coating: TOR46-A-52-012

ELITE Coating: TOR46-C-52-012

TOP VIEW



SIDE VIEW

 **Furniture Leisure**
Commercial Site Furnishings

FurnitureLeisure.com PoolFurnitureSupply.com
PicnicFurniture.com PicnicTableSupplier.com
ParkTables.com UBrace.com

1-800-213-2401 | sales@furnitureleisure.com

PROPRIETARY AND CONFIDENTIAL

THE INFORMATION CONTAINED IN THIS DRAWING IS THE SOLE PROPERTY OF Advantage Panels & Fence, Inc. PO Box 1790 Whitney, TX. ANY REPRODUCTION IN PART OR AS A WHOLE WITHOUT THE WRITTEN PERMISSION OF Advantage Panels & Fence, Inc. PO Box 1790 Whitney, TX. IS PROHIBITED.

	NAME	DATE	TOR46-AC-52-012	
DRAWN	GM	5/11/2017	TITLE:	
SALES APPR.			Nexus Style Octagon Table	
CLIENT APPR.			Expanded Metal Version	
MFG APPR.			SIZE	DWG. NO.
Q.A.			A	NSOT2SSM-002
Design By -	 CADWorksPro design studio gilm@cadworkspro.com 1147 Brook Forest Ave Suite 228 Shorewood, IL 60404		REV	
			WEIGHT:	SHEET 2 OF 3