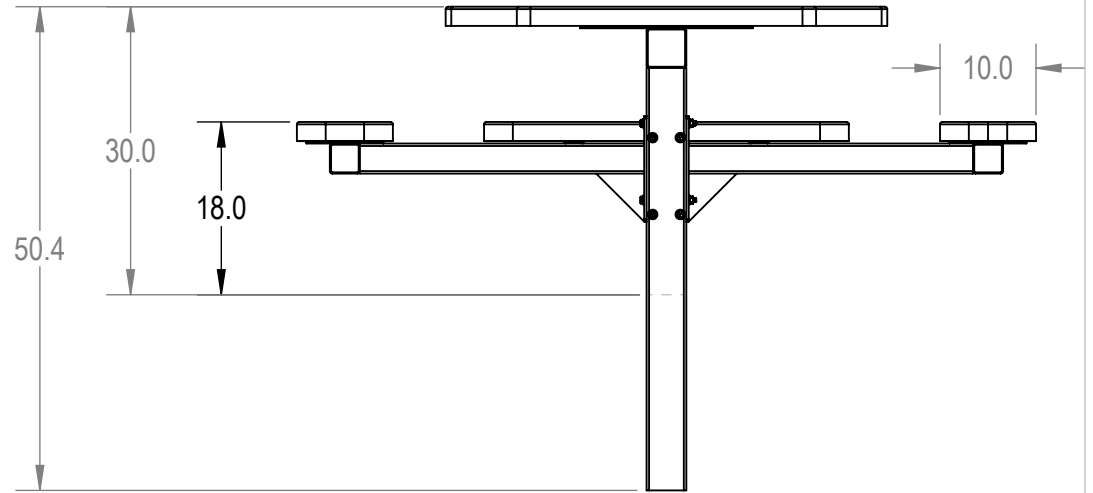
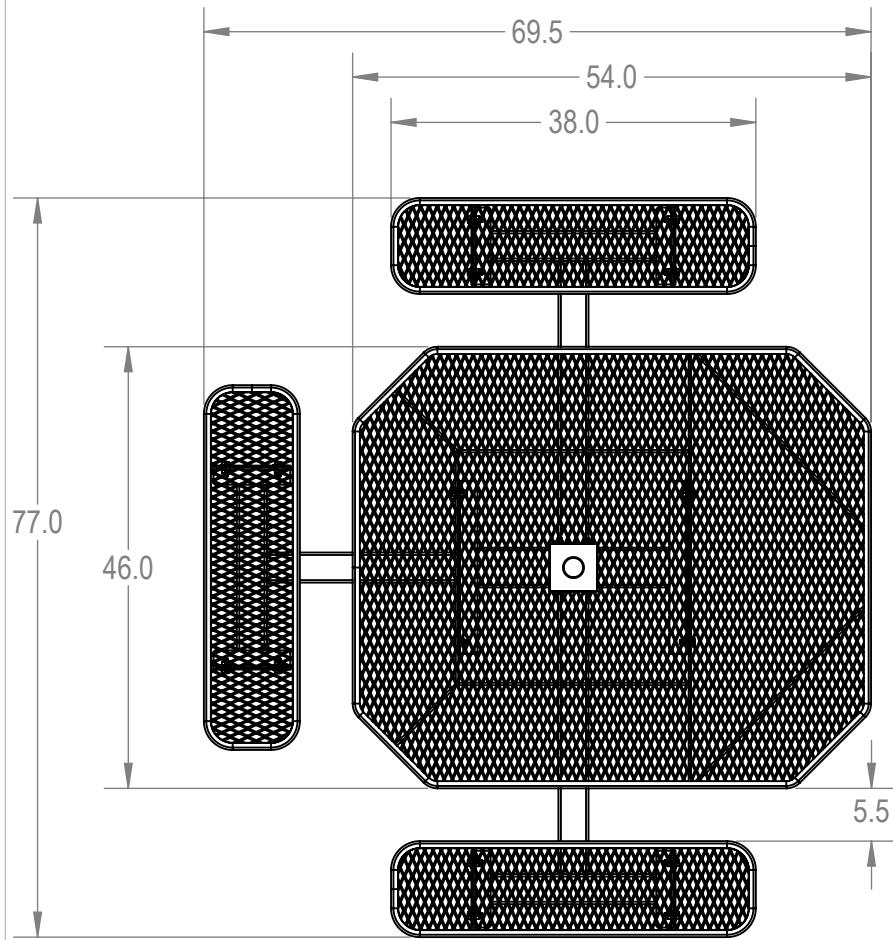


Model Numbers:
 TOT46-A-14-013 - RHINO Coating
 TOT46-C-14-013 - ELITE Coating



FurnitureLeisure.com PoolFurnitureSupply.com
 PicnicFurniture.com PicnicTableSupplier.com
 ParkTables.com UBrace.com
 1-800-213-2401 | sales@furnitureleisure.com

PROPRIETARY AND CONFIDENTIAL

THE INFORMATION CONTAINED IN THIS DRAWING IS THE SOLE PROPERTY OF Advantage Panels & Fence, Inc. PO Box 1790 Whitney, TX. ANY REPRODUCTION IN PART OR AS A WHOLE WITHOUT THE WRITTEN PERMISSION OF Advantage Panels & Fence, Inc. PO Box 1790 Whitney, TX. IS PROHIBITED.

| | | | | |
|--------------|------|-----------|--|-----------------------|
| | NAME | DATE | TOT46-AC-14-013 | |
| DRAWN | GM | 2/13/2016 | TITLE: | |
| SALES APPR. | | | 46" Octagon Top Pedestal Table - 3 Seat - Inground | |
| CLIENT APPR. | | | Expanded Metal Version | |
| MFG APPR. | | | | |
| Q.A. | | | SIZE | DWG. NO. |
| Design By - | | | A | TOT46-A-14-013 |
| | | | WEIGHT: | REV |
| | | | | SHEET 2 OF 3 |

CADWorksPro
 Chicago, IL

www.cadworkspro.com