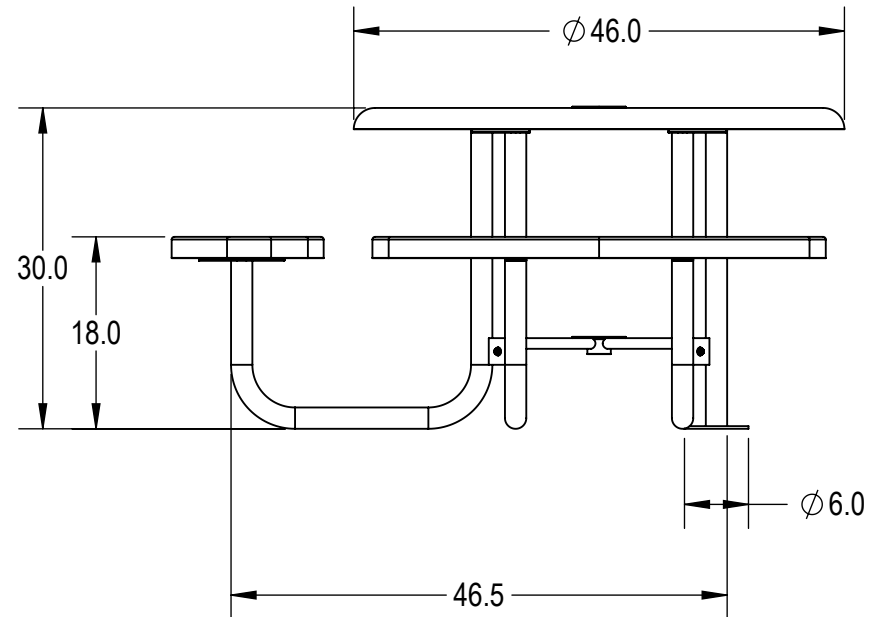
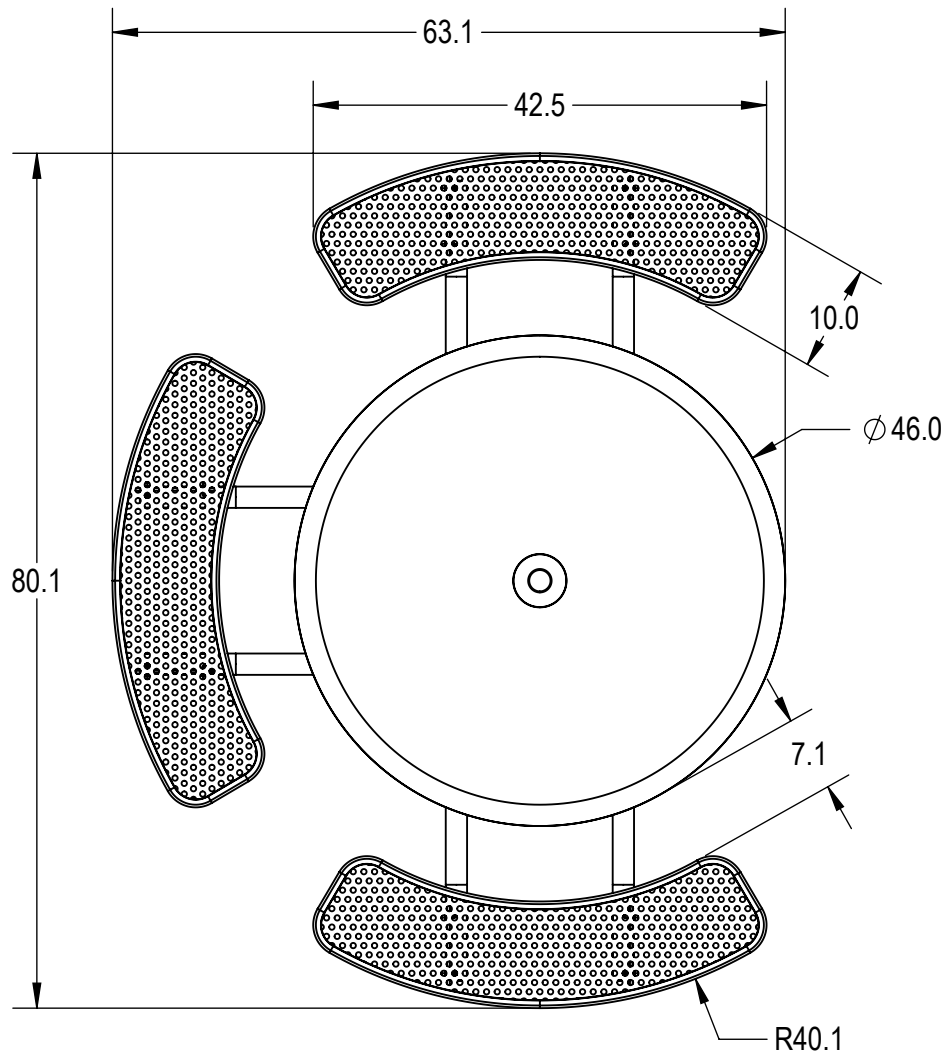


Model Numbers:
 TRS46-B-04-003 - RHINO Coating
 TRS46-D-04-003 - ELITE Coating



FurnitureLeisure.com PoolFurnitureSupply.com
 PicnicFurniture.com PicnicTableSupplier.com
 ParkTables.com UBrace.com
 1-800-213-2401 | sales@furnitureleisure.com

PROPRIETARY AND CONFIDENTIAL
 THE INFORMATION CONTAINED IN THIS DRAWING IS THE SOLE PROPERTY OF Aadvantage Panels & Fence, Inc. PO Box 1790 Whitney, TX. ANY REPRODUCTION IN PART OR AS A WHOLE WITHOUT THE WRITTEN PERMISSION OF Aadvantage Panels & Fence, Inc. PO Box 1790 Whitney, TX. IS PROHIBITED.

	NAME	DATE	TRS46-BD-04-003	
DRAWN	GM	4/26/2017	TITLE:	
SALES APPR.			3-Seat HCA Round Solid Top Table	
CLIENT APPR.			Perforated Metal Version	
MFG APPR.			SIZE	DWG. NO.
Q.A.			A	?????
Design By -			REV	
CADWorksPro Chicago, IL			WEIGHT:	SHEET 3 OF 3
www.cadworkspro.com				