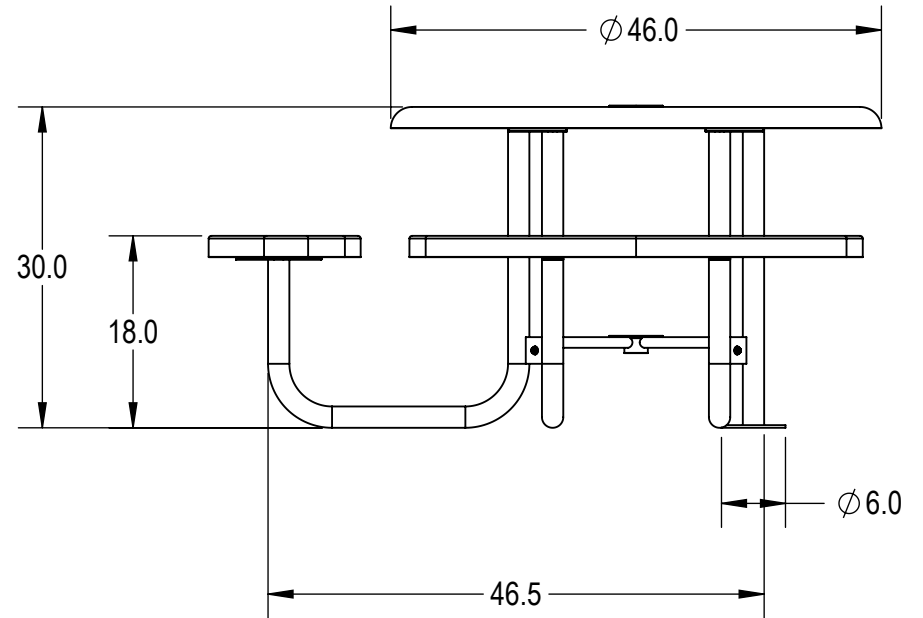
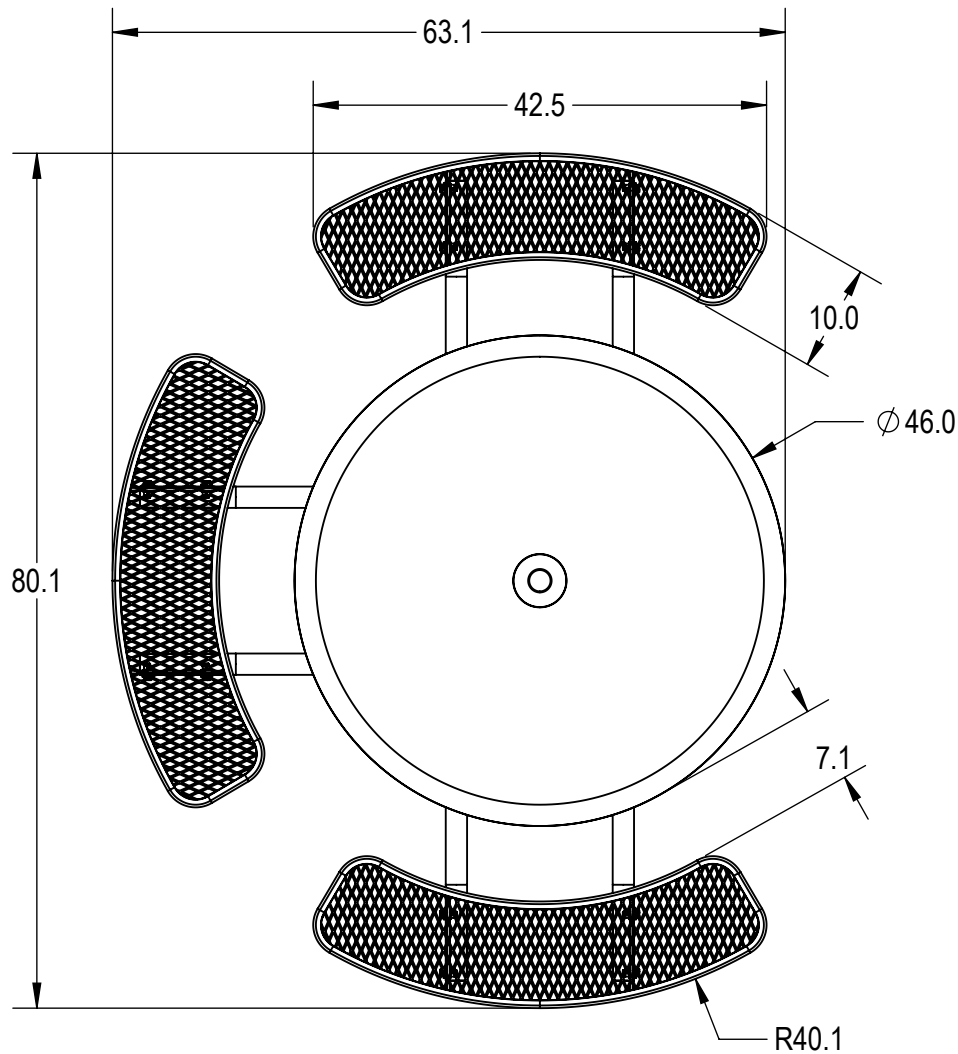


Model Numbers:  
 TRS46-A-04-003 - RHINO Coating  
 TRS46-C-04-003 - ELITE Coating



FurnitureLeisure.com PoolFurnitureSupply.com  
 PicnicFurniture.com PicnicTableSupplier.com  
 ParkTables.com UBrace.com  
 1-800-213-2401 | sales@furnitureleisure.com

**PROPRIETARY AND CONFIDENTIAL**  
 THE INFORMATION CONTAINED IN THIS DRAWING IS THE SOLE PROPERTY OF Advantage Panels & Fence, Inc. PO Box 1790 Whitney, TX. ANY REPRODUCTION IN PART OR AS A WHOLE WITHOUT THE WRITTEN PERMISSION OF Advantage Panels & Fence, Inc. PO Box 1790 Whitney, TX. IS PROHIBITED.

	NAME	DATE	<b>TRS46-AC-04-003</b>	
DRAWN	GM	4/26/2017	TITLE:	
SALES APPR.			3-Seat HCA Round Solid Top Table	
CLIENT APPR.			Expanded Metal Version	
MFG APPR.			SIZE	DWG. NO.
Q.A.			<b>A</b>	?????
Design By -			WEIGHT:	REV
CADWorksPro Chicago, IL				
www.cadworkspro.com				SHEET 2 OF 3