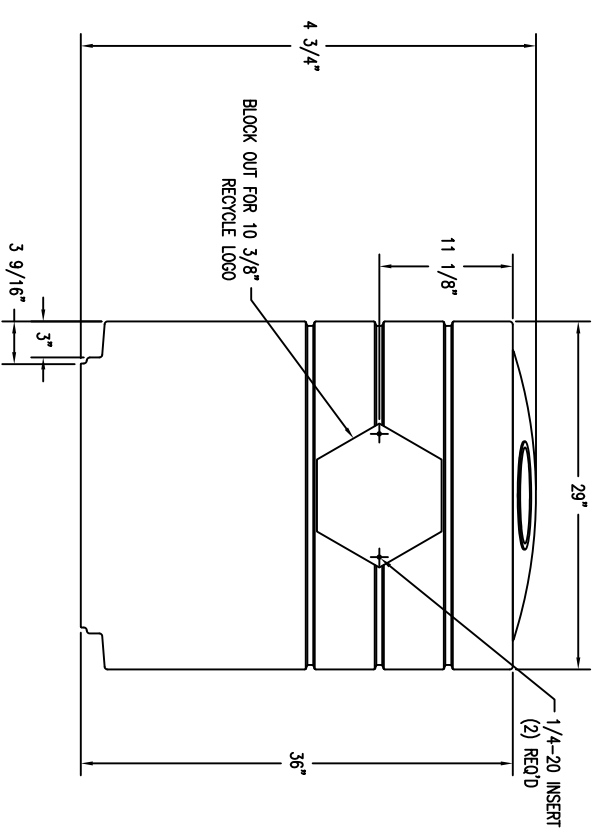
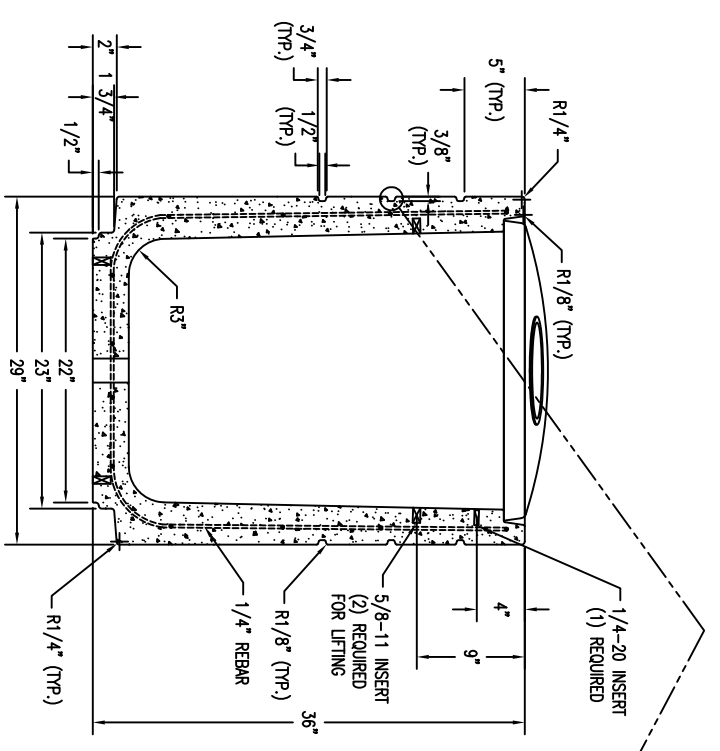
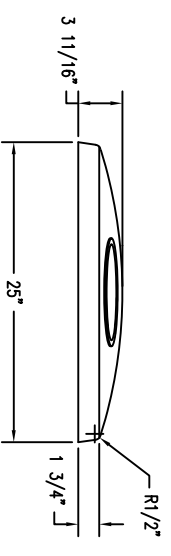
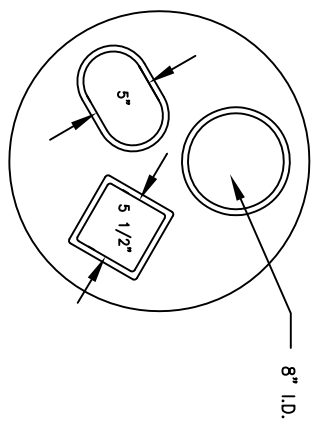


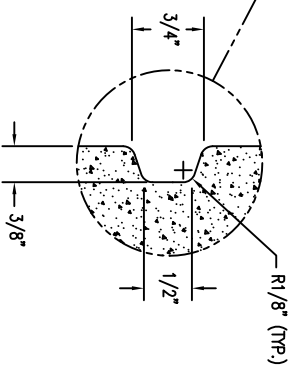
1 PLAN VIEW
Scale: 1 1/2" = 1'-0"



2 SIDE ELEVATION
Scale: 1 1/2" = 1'-0"



3 SECTION
Scale: 1 1/2" = 1'-0"



REVISIONS						DRAWN BY		JOB		MATERIAL	
NO.	DATE	BY	NO.	DATE	BY	TITLE	JOB NO.	WEIGHT	FINISH	DATE	OPTIONS
1			4					910 LBS.	B, C, E	10/23/07	
2			5								
3			6								

WAUSAU TILE SITE FURNISHINGS				P.O. BOX 1520 WAUSAU, WISCONSIN 54982-0520 800/298-0728			
				P.O. BOX 807 WAUSAU, WISCONSIN 54982-0807 800/231-4530			
DRAWN BY: MJS				JOB NO.:			
TITLE:				WEIGHT:			
SCALE:				FINISH:			
CHECKED: 3-11-08				DATE: 10/23/07			
				DWG. NO.: TF1223			