

MODEL #: 4SJCRPCR

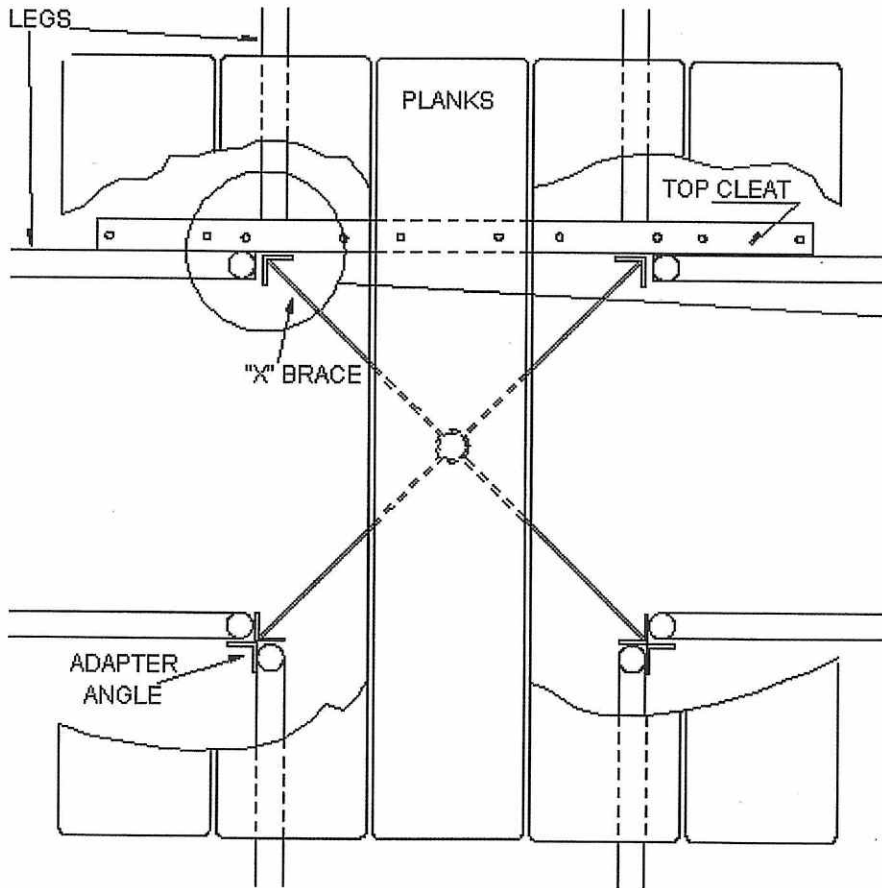
FURNITURE LEISURE INC

OUR LIST OF WEB STORES

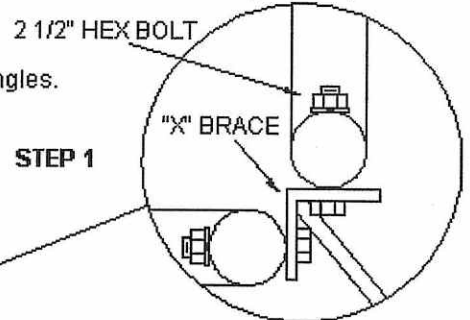
www.FurnitureLeisure.com www.PoolFurnitureSupply.com
www.PicnicFurniture.com www.PicnicTableSupplier.com
www.ParkTables.com www.UBrace.com

1.800.213.2401

- Step 1. Bring all the legs together with the "x" brace at the lower holes of the legs.
- Step 2. Bolt the small adapter angles on the outside of legs using the upper holes. Note the gap between the legs. This is for the top cleat.
- Step 3. Slide the 2" x 2" top cleat down between the legs (at the top) and the adapter angles.
- Step 4. Attach top & seat planks with 3/8" x 2 1/4" carriage bolts, lock washers & nuts.
- Step 5. Tighten all bolts at this time.



View showing bottom portion of legs.



View showing top portion of same legs.

