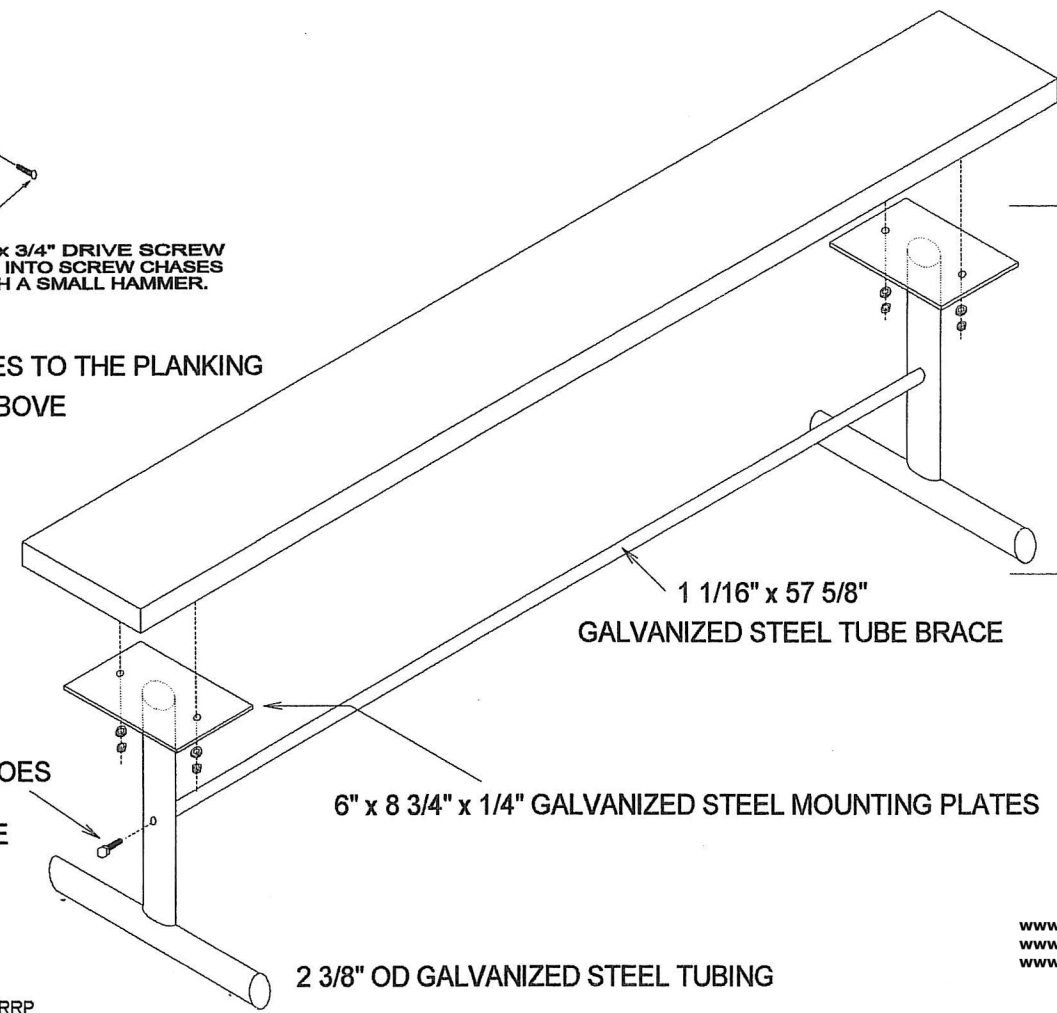


ATTACH THE LEG ASSEMBLIES TO THE PLANKING WITH HARDWARE SHOWN ABOVE



THIS 3" x 1/2" HEX BOLT GOES THROUGH THE LEG AND SCREWS INTO THE BRACE

FURNITURE LEISURE INC
OUR LIST OF WEB STORES

- www.FurnitureLeisure.com www.PoolFurnitureSupply.com
- www.PicnicFurniture.com www.PicnicTableSupplier.com
- www.ParkTables.com www.UBrace.com

1.800.213.2401