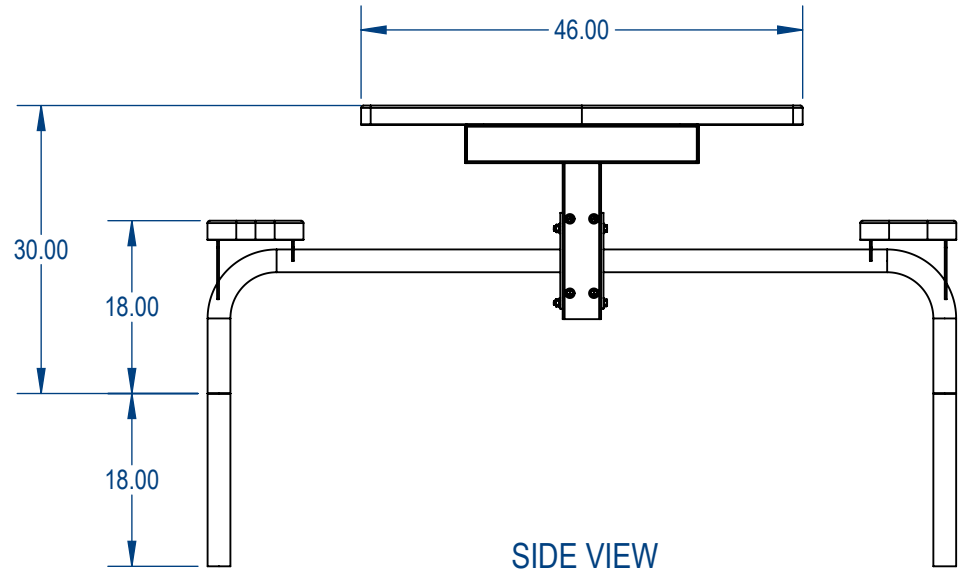
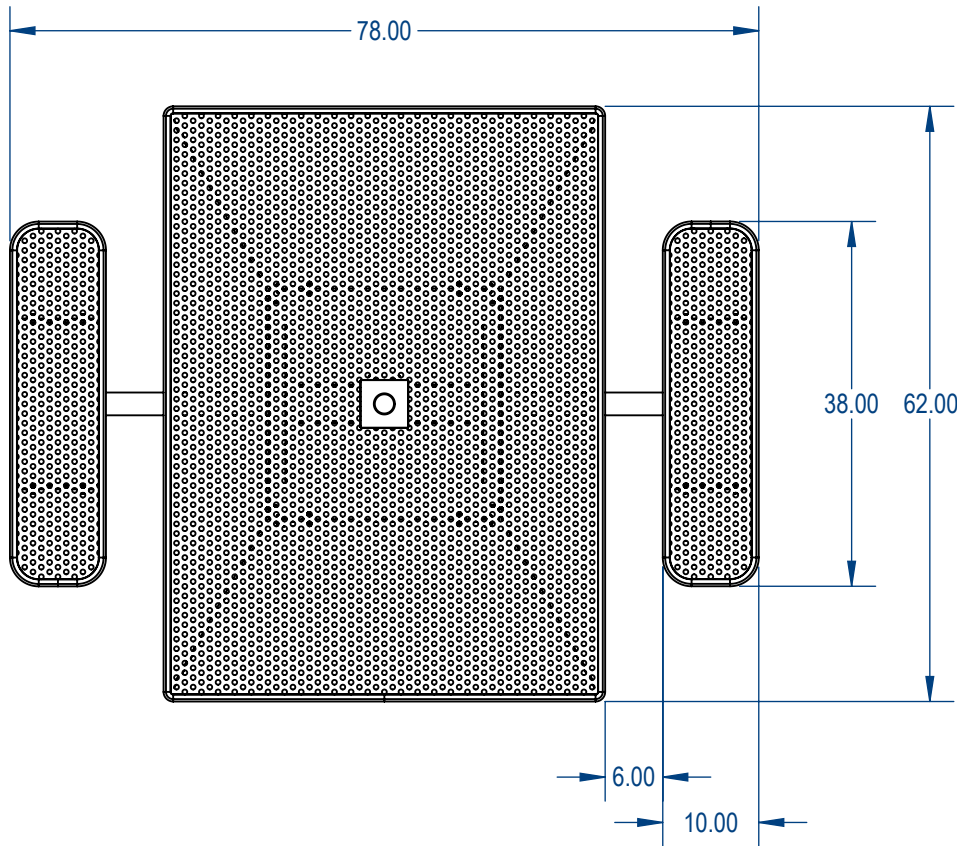


Model Numbers:
 TSQ46-B-51-012 - RHINO Coating
 TSQ46-D-51-012 - ELITE Coating

TOP VIEW



SIDE VIEW



FurnitureLeisure.com PoolFurnitureSupply.com
 PicnicFurniture.com PicnicTableSupplier.com
 ParkTables.com UBrace.com
 1-800-213-2401 | sales@furnitureleisure.com

PROPRIETARY AND CONFIDENTIAL

THE INFORMATION CONTAINED IN THIS DRAWING IS THE SOLE PROPERTY OF Advantage Panels & Fence, Inc. PO Box 1790 Whitney, TX. ANY REPRODUCTION IN PART OR AS A WHOLE WITHOUT THE WRITTEN PERMISSION OF Advantage Panels & Fence, Inc. PO Box 1790 Whitney, TX. IS PROHIBITED.

	NAME	DATE
DRAWN	GM	6/3/2016
SALES APPR.		
CLIENT APPR.		
MFG APPR.		
Q.A.		

Design By -



CADWorksPro
 Legends

gilm@cadworkspro.com
 1147 Brook Forest Ave | Suite 228 | Shorewood, IL 60404

TSQ46-BD-51-012

TITLE:

Nexus Style Square Table
 Perforated Metal Version

SIZE	DWG. NO.	REV
A	NSST2IGM-003	

WEIGHT:

SHEET 3 OF 3