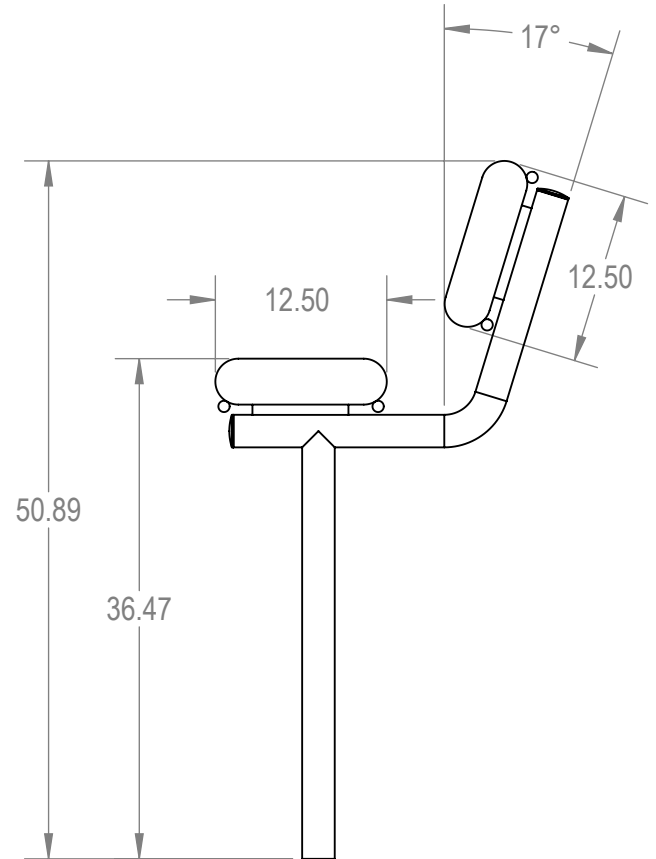
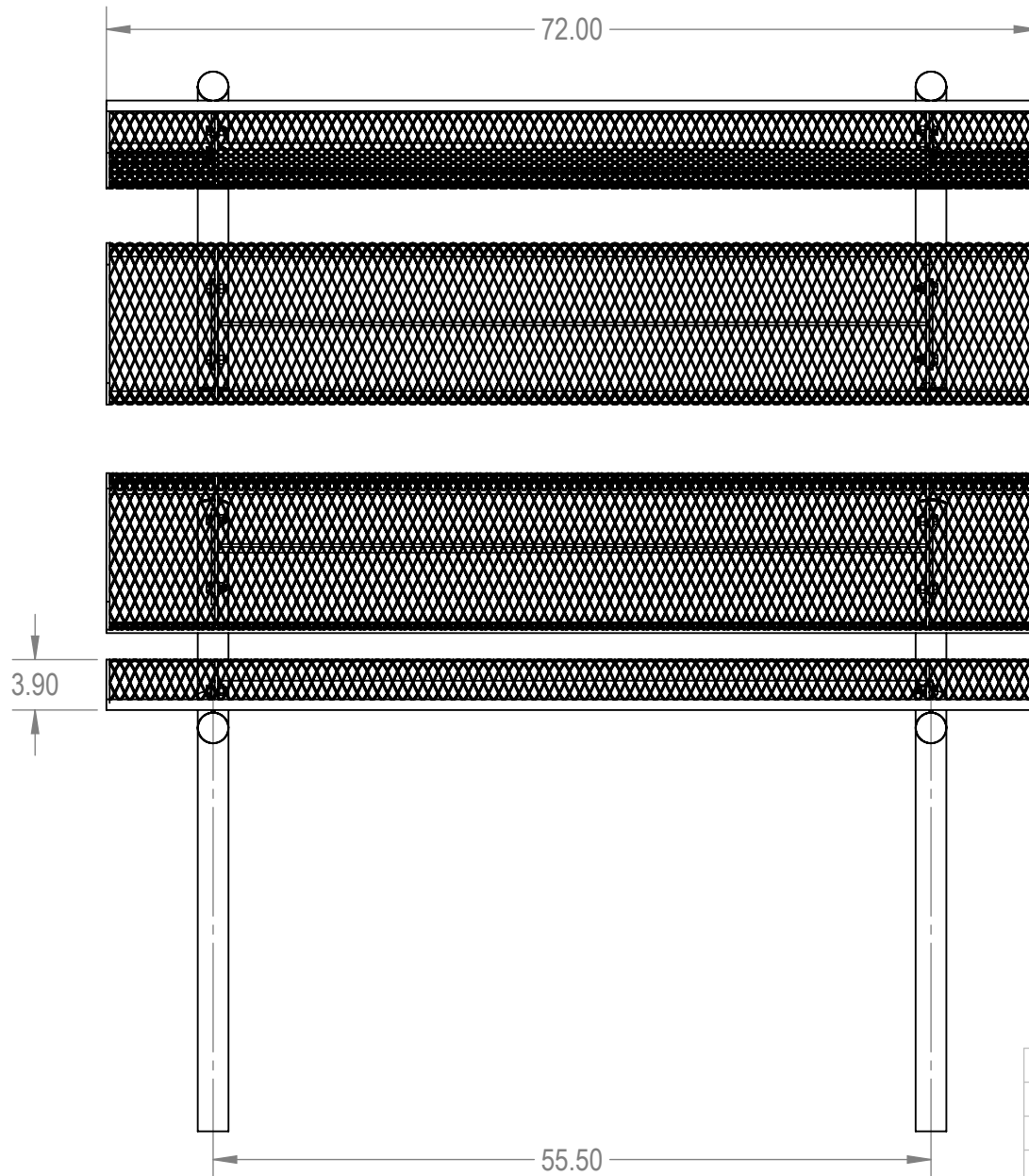


Model Numbers:
 BRE06-A-19-000 - RHINO Coating
 BRE06-C-19-000 - ELITE Coating



	NAME	DATE	BRE06-AC-19-000	
DRAWN	GM	2/8/2015	TITLE:	
SALES APPR.			6Ft Rolled Bench with Back	
CLIENT APPR.			InGround - Expanded Metal	
MFG APPR.			SIZE	DWG. NO.
Q.A.			A	BRE06-A-19-000
Design By -			WEIGHT:	REV
CADWorksPro Chicago, IL				1
www.cadworkspro.com				SHEET 2 OF 3