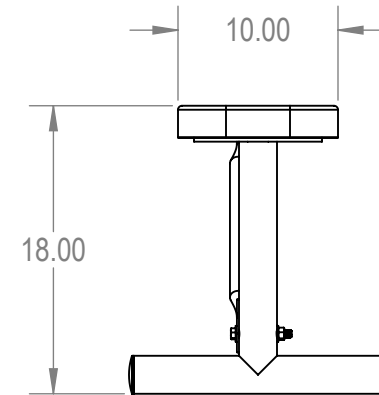
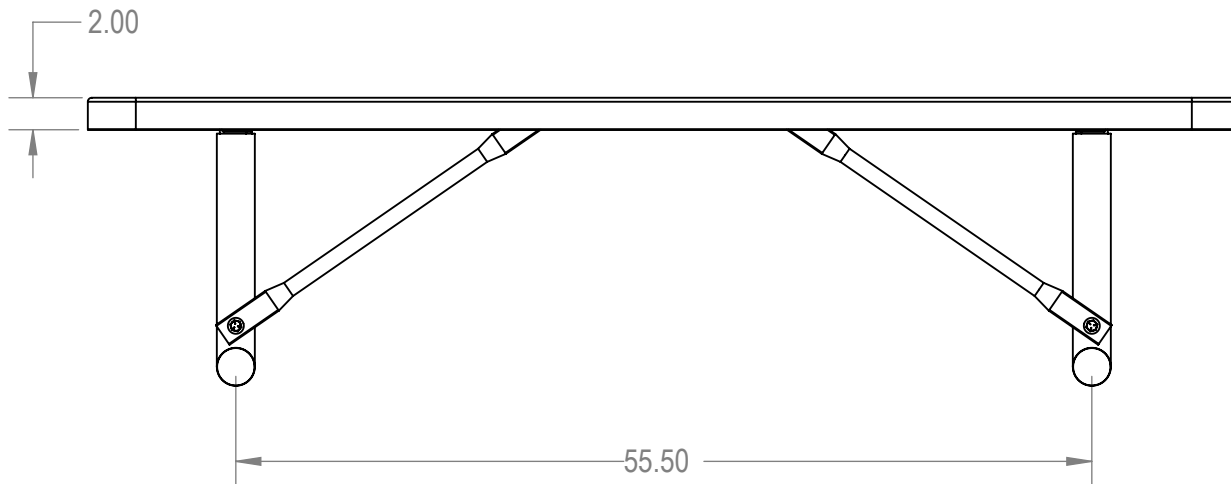
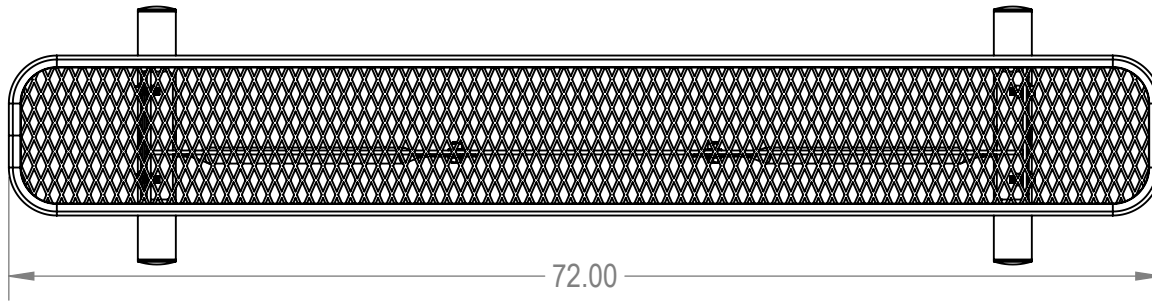


Model Numbers:
 BRT06-A-21-000 - RHINO Coating
 BRT06-C-21-000 - ELITE Coating



 **Furniture Leisure**
 Commercial Site Furnishings

FurnitureLeisure.com PoolFurnitureSupply.com
 PicnicFurniture.com PicnicTableSupplier.com
 ParkTables.com UBrace.com

1-800-213-2401 | sales@furnitureleisure.com

PROPRIETARY AND CONFIDENTIAL

THE INFORMATION CONTAINED IN THIS DRAWING IS THE SOLE PROPERTY OF Aadvantage Panels & Fence, Inc. PO Box 1790 Whitney, TX. ANY REPRODUCTION IN PART OR AS A WHOLE WITHOUT THE WRITTEN PERMISSION OF Aadvantage Panels & Fence, Inc. PO Box 1790 Whitney, TX. IS PROHIBITED.

	NAME	DATE
DRAWN	GM	1/25/2016
SALES APPR.		
CLIENT APPR.		
MFG APPR.		
Q.A.		

Design By -

CADWorksPro
 Chicago, IL

www.cadworkspro.com

BRT06-AC-21-000

TITLE:
 6Ft Rectangular Bench without Back

Portable - Expanded Metal

SIZE	DWG. NO.	REV
A	BRT06-A-21-000	

WEIGHT:

SHEET 2 OF 3