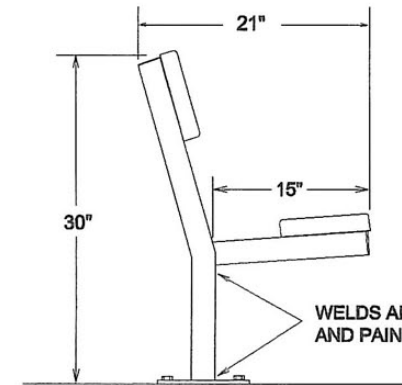
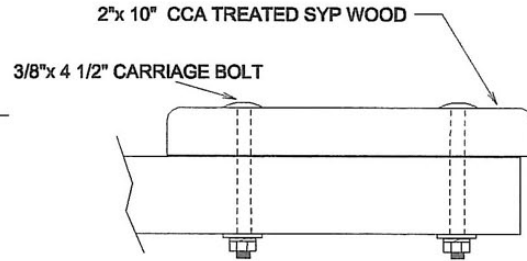


END VIEW

62PGP

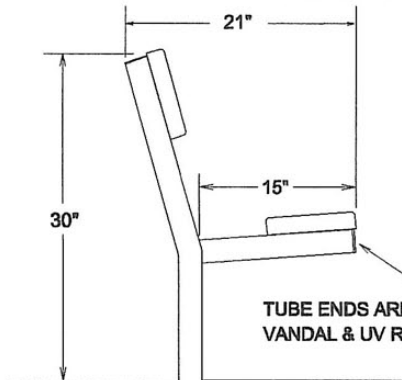
DETAIL OF PLANK



62SGPSM

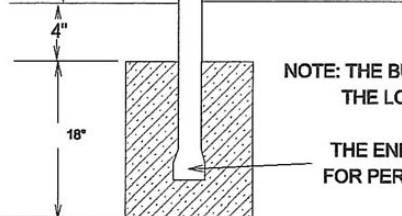
WELDS ARE CLEANED, COLD GALVANIZED AND PAINTED FOR A LONG LIFE

6" 2 7/16" HOLES PER MOUNTING PLATE



62SGP

TUBE ENDS ARE CAPPED WITH VANDAL & UV RESISTANT PLASTIC CAPS

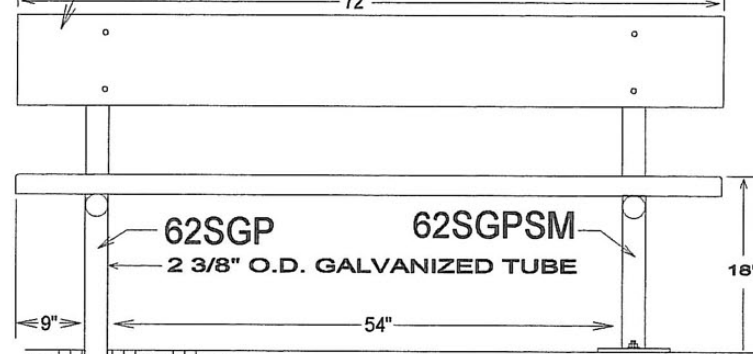
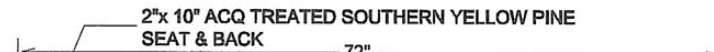
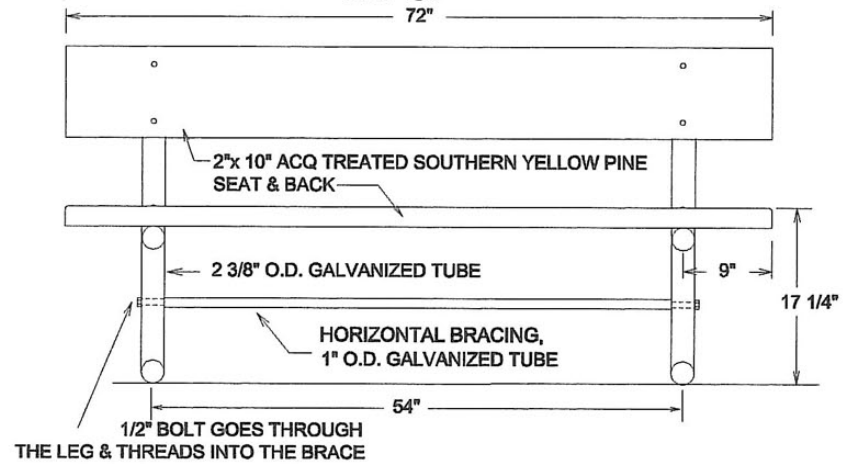


NOTE: THE BURY DEPTH OF THE CONCRETE FOOTING IS ONLY A SUGGESTION THE LOCAL SOIL CONDITIONS SHOULD DETERMINE WHAT IS NECESSARY

THE ENDS OF THE LEGS ARE DEFORMED FOR PERMANENT ANCHORING IN CONCRETE

FRONT VIEW

62PGP



MODEL	WT.
62SGP	75 lbs.
62SGPSM	75 lbs.
62PGP	83 lbs.