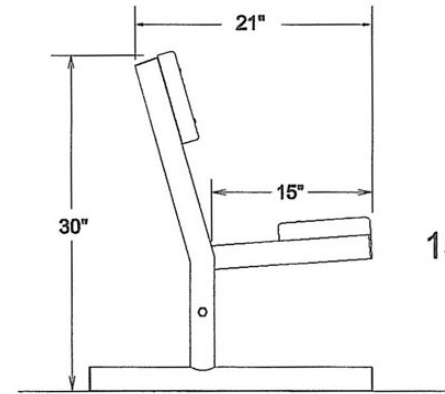


FURNITURE LEISURE INC

1.800.213.2401 | SALES@FURNITURELEISURE.COM

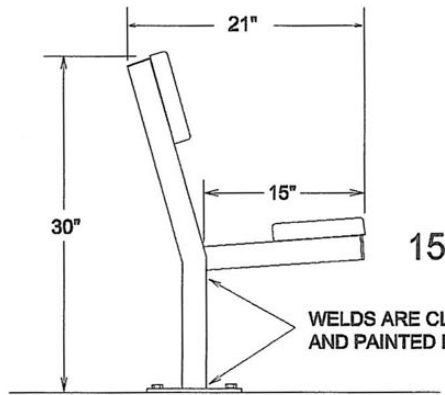
FurnitureLeisure.com
PicnicFurniture.com
ParkTables.com

PoolFurnitureSupply.com
PicnicTableSupplier.com
UBrace.com



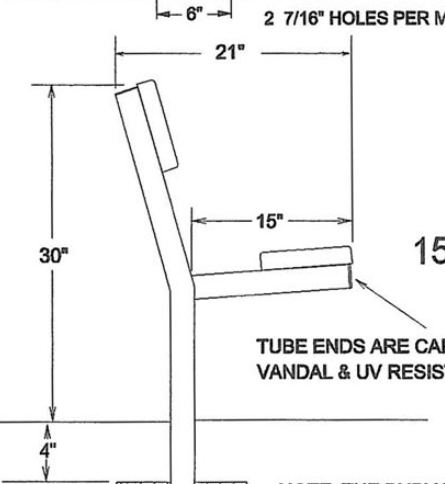
END VIEW

152PGP



152SGPSM

WELDS ARE CLEANED, COLD GALVANIZED AND PAINTED FOR A LONG LIFE



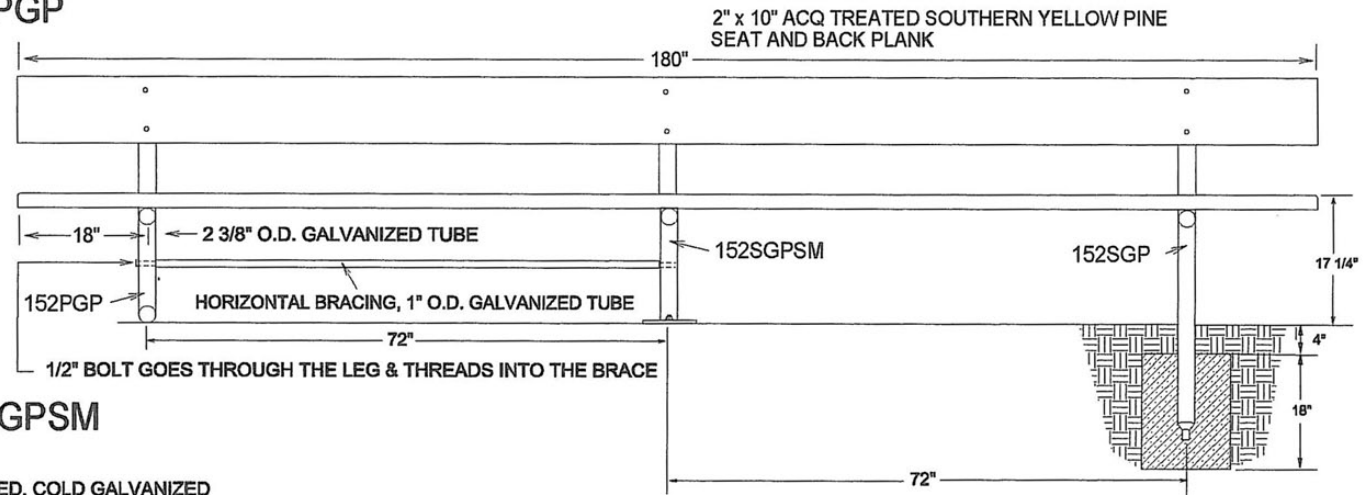
152SGP

TUBE ENDS ARE CAPPED WITH VANDAL & UV RESISTANT PLASTIC CAPS

NOTE: THE BURY DEPTH OF THE CONCRETE FOOTING IS ONLY A SUGGESTION THE LOCAL SOIL CONDITIONS SHOULD DETERMINE WHAT IS NECESSARY

THE ENDS OF THE LEGS ARE DEFORMED FOR PERMANENT ANCHORING IN CONCRETE

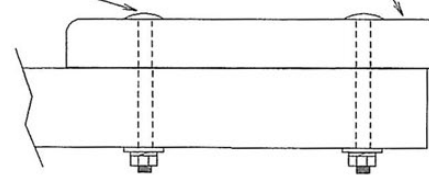
FRONT VIEW



DETAIL OF PLANK

2"x 10" CCA TREATED SOUTHERN YELLOW PINE

3/8"x 4 1/2" CARRIAGE BOLT



MODEL	WT.
152SGP	162 lbs.
152SGPSM	162 lbs.
152PGP	178 lbs.