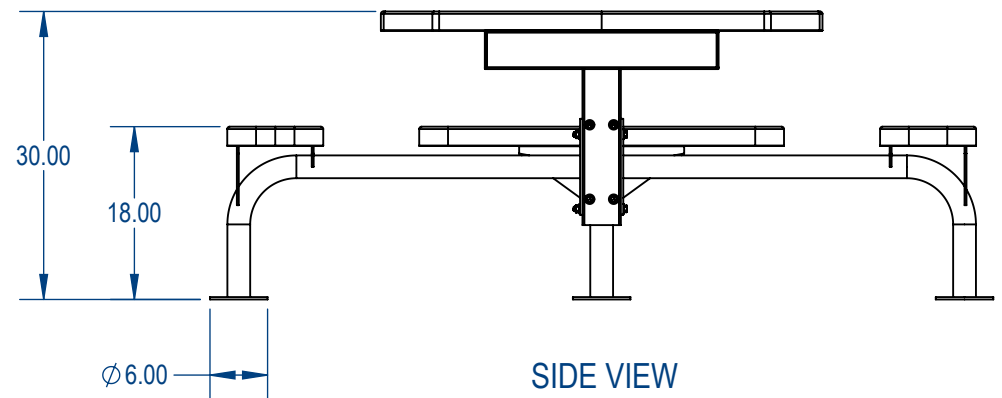
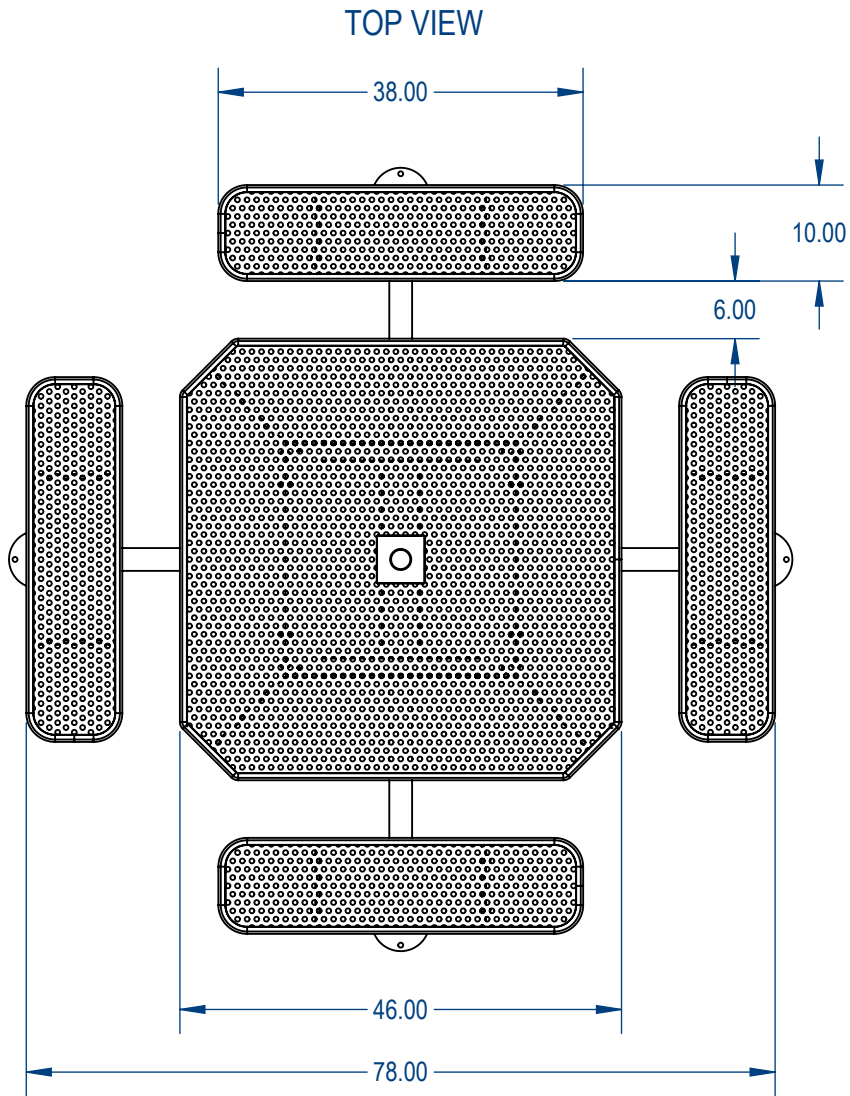


Model Numbers:

TOT46-B-48-000 - RHINO Coating

TOT46-D-48-000 - ELITE Coating



 **Furniture Leisure**
Commercial Site Furnishings

FurnitureLeisure.com PoolFurnitureSupply.com
PicnicFurniture.com PicnicTableSupplier.com
ParkTables.com UBrace.com

1-800-213-2401 | sales@furnitureleisure.com

PROPRIETARY AND CONFIDENTIAL

THE INFORMATION CONTAINED IN THIS DRAWING IS THE SOLE PROPERTY OF Advantage Panels & Fence, Inc. PO Box 1790 Whitney, TX. ANY REPRODUCTION IN PART OR AS A WHOLE WITHOUT THE WRITTEN PERMISSION OF Advantage Panels & Fence, Inc. PO Box 1790 Whitney, TX. IS PROHIBITED.



Design By - 
gilm@cadworkspro.com
1147 Brook Forest Ave | Suite 228 | Shorewood, IL 60404

	NAME	DATE	TOT46-BD-48-000	
DRAWN	GM	5/11/2017	TITLE:	
SALES APPR.			Nexus Style Octagon Table	
CLIENT APPR.			Perforated Metal Version	
MFG APPR.			SIZE	DWG. NO.
Q.A.			A	NSOT4SSM-003
			WEIGHT:	REV
				1
				SHEET 3 OF 3