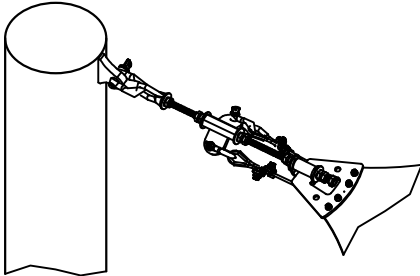
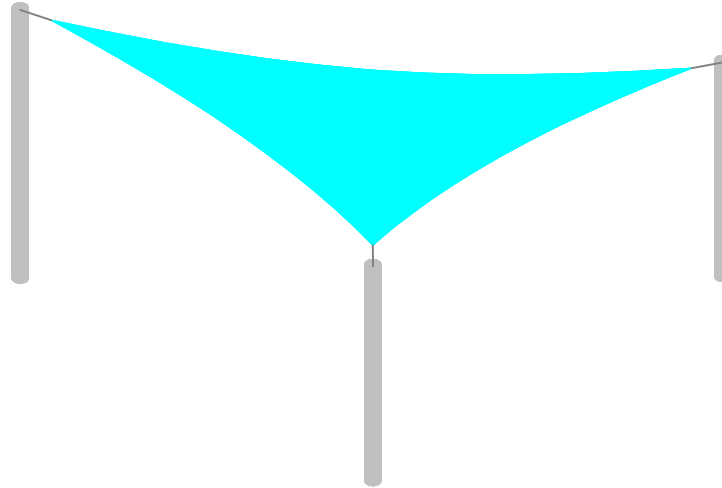
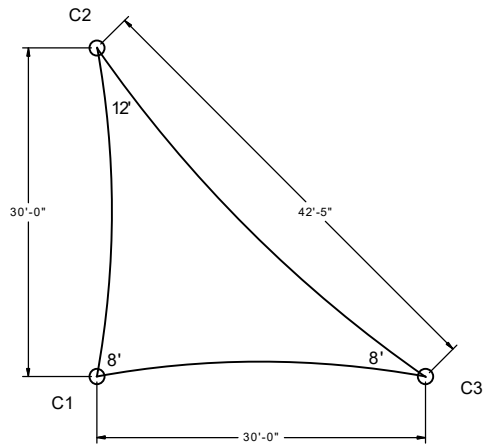


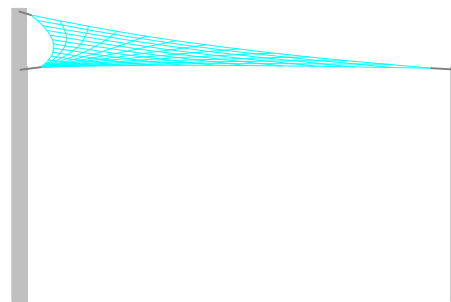
Fabric Connection



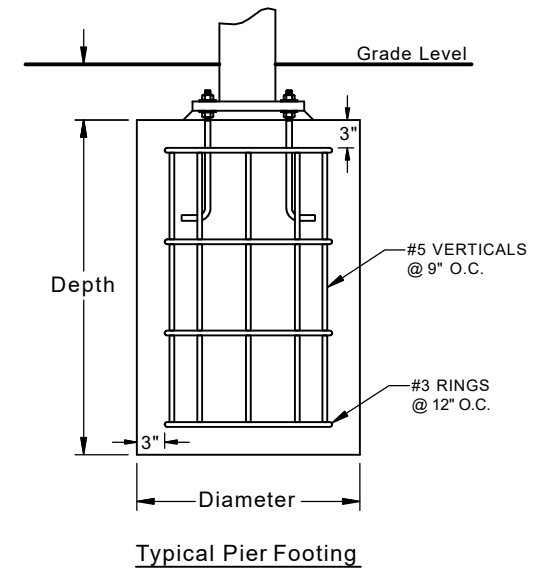
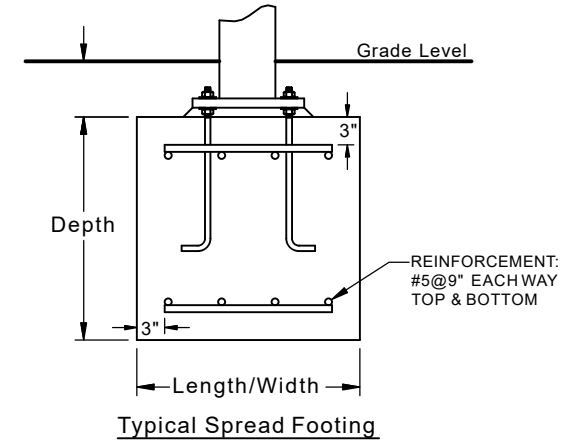
Fabric Connection



Plan View



Side View



Column & Footing Schedule

Column ID	Column Size	Est. Footing Size	Est. Pier Footing Size
C1	8" Sch40	3.3' x 3.3' x 3.0'	4.9' Deep x Ø3.0'
C2	10" Sch40	3.6' x 3.6' x 3.0'	4.9' Deep x Ø3.0'
C3	8" Sch40	3.3' x 3.3' x 3.0'	4.9' Deep x Ø3.0'

SCALE
Not to Scale

SHADE:
30' X 30' X 42' 8" EH TRIANGLE SAIL

 **Furniture Leisure**
 Commercial Site Furnishings
 1-800-213-2401 | sales@furnitureleisure.com

FurnitureLeisure.com PoolFurnitureSupply.com
 PicnicFurniture.com PicnicTableSupplier.com
 ParkTables.com UBrace.com