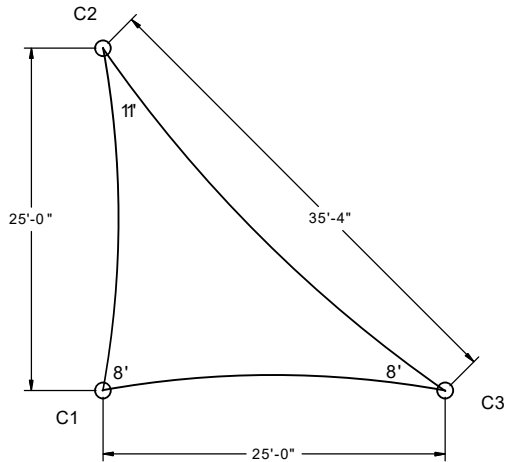
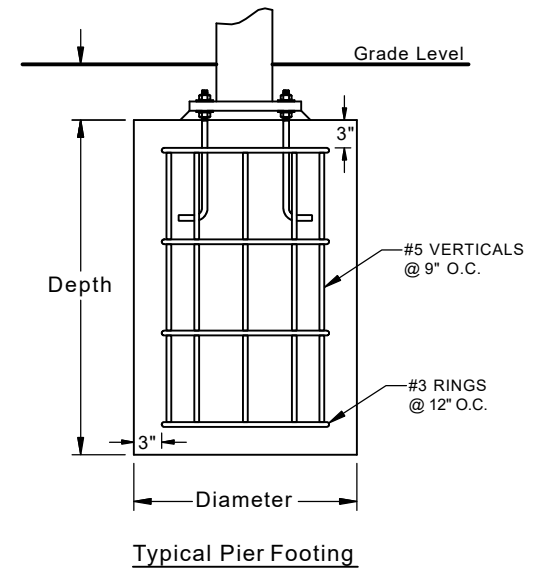
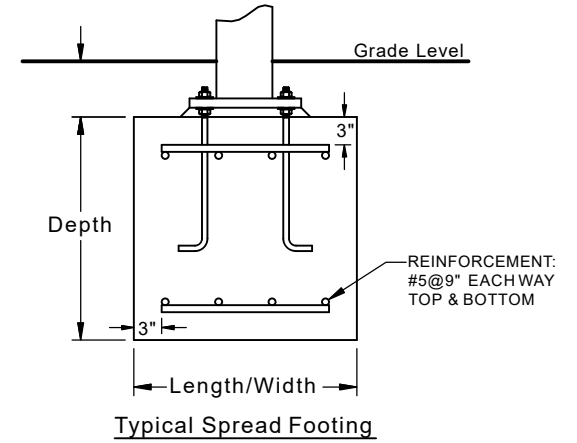
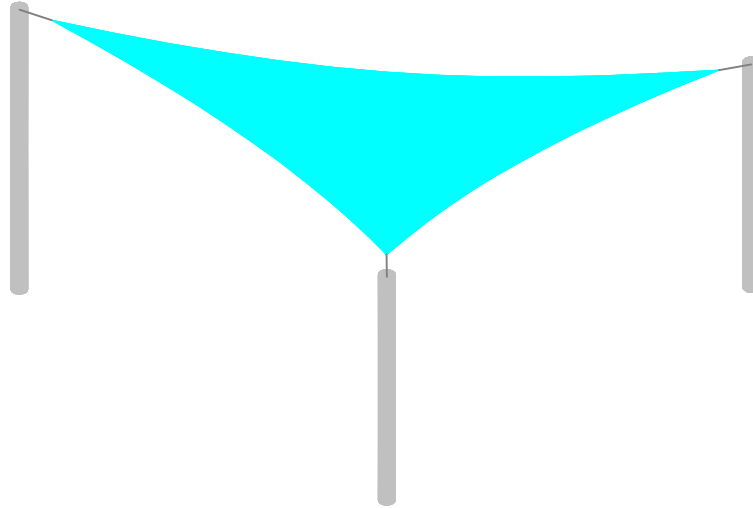
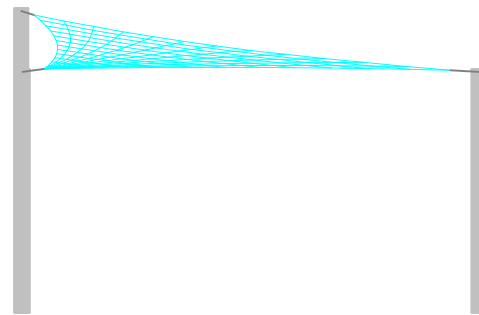


Fabric Connection



Plan View



Side View

Column & Footing Schedule

Column ID	Column Size	Est. Footing Size	Est. Pier Footing Size
C1	8" Sch40	2.8' x 2.8' x 3.0'	3.4' Deep x Ø3.0'
C2	8" Sch40	3.0' x 3.0' x 3.0'	3.4' Deep x Ø3.0'
C3	8" Sch40	2.8' x 2.8' x 3.0'	3.4' Deep x Ø3.0'

SCALE
Not to Scale

SHADE:
25' X 25' X 35' 8' EH TRIANGLE SAIL



Furniture Leisure
Commercial Site Furnishings
1-800-213-2401 | sales@furnitureleisure.com

FurnitureLeisure.com PoolFurnitureSupply.com
PicnicFurniture.com PicnicTableSupplier.com
ParkTables.com UBrace.com