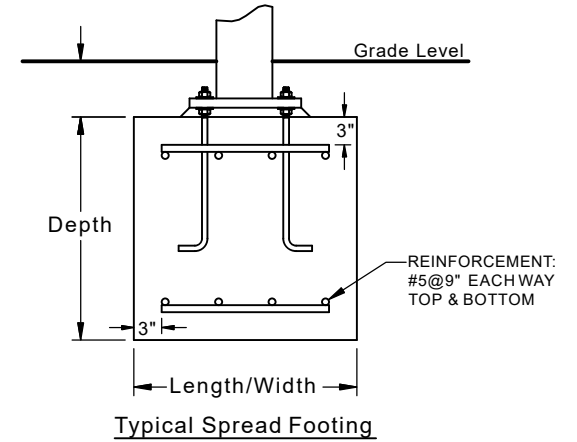
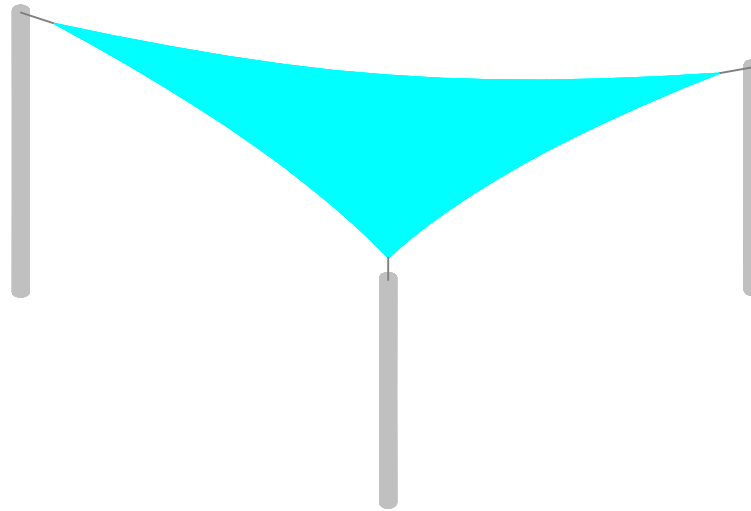
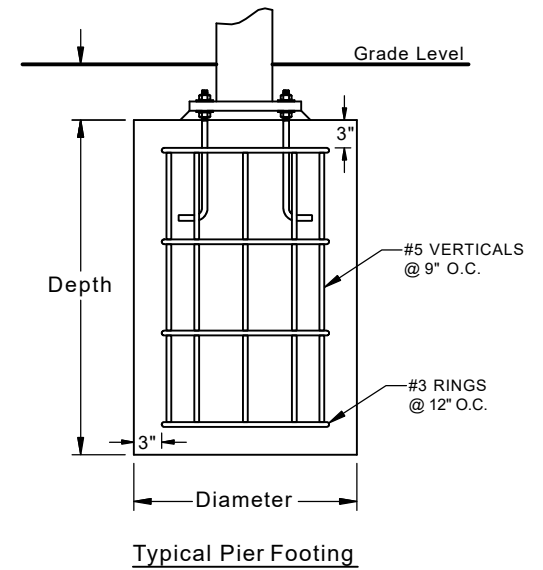


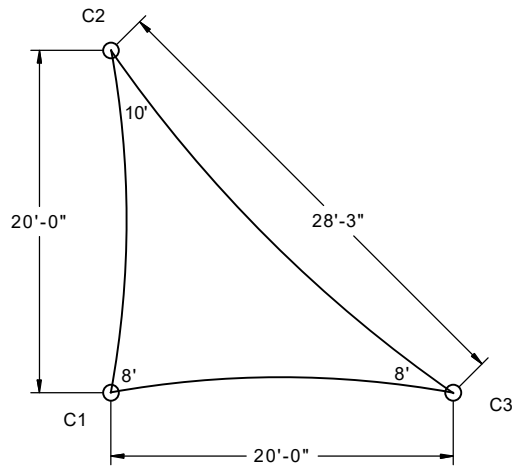
Fabric Connection



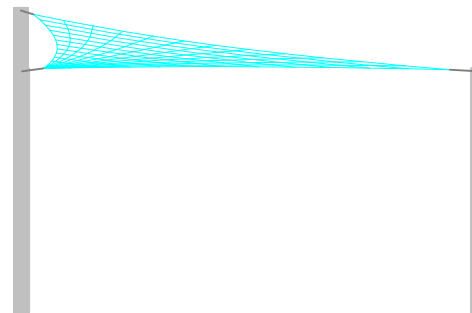
Typical Spread Footing



Typical Pier Footing



Plan View



Side View

Column & Footing Schedule

Column ID	Column Size	Est. Footing Size	Est. Pier Footing Size
C1	5" Sch40	2.2' x 2.2' x 3.0'	3.7' Deep x Ø2.0'
C2	6" Sch40	2.2' x 2.2' x 3.0'	3.7' Deep x Ø2.0'
C3	5" Sch40	2.2' x 2.2' x 3.0'	3.7' Deep x Ø2.0'

SCALE
Not to Scale

SHADE:
20' X 20' X 28' 8" EH TRIANGLE SAIL

 **Furniture Leisure**
Commercial Site Furnishings
1-800-213-2401 | sales@furnitureleisure.com

FurnitureLeisure.com PoolFurnitureSupply.com
PicnicFurniture.com PicnicTableSupplier.com
ParkTables.com UBrace.com