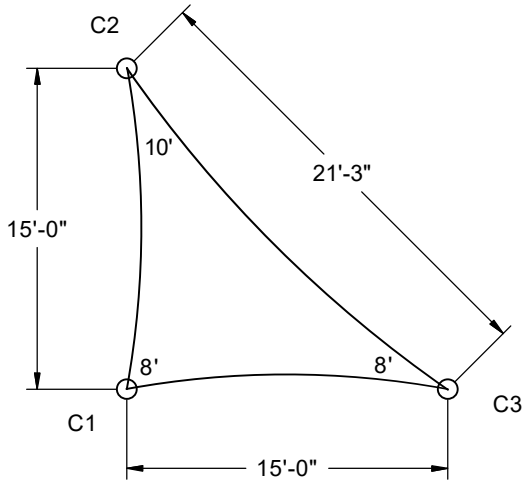
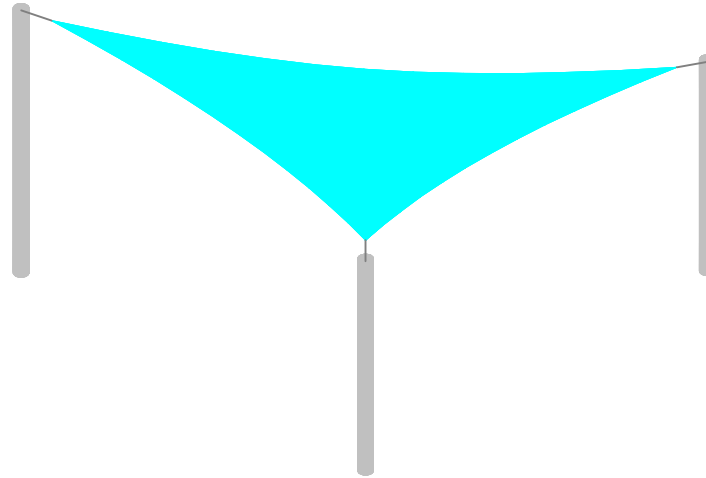
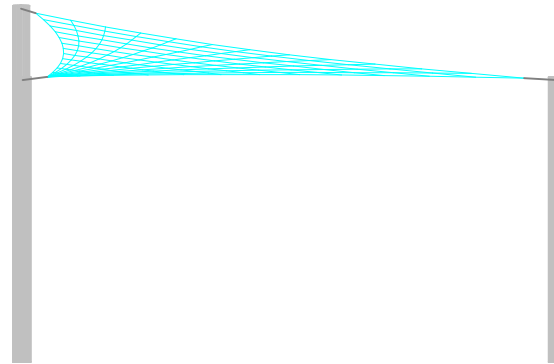


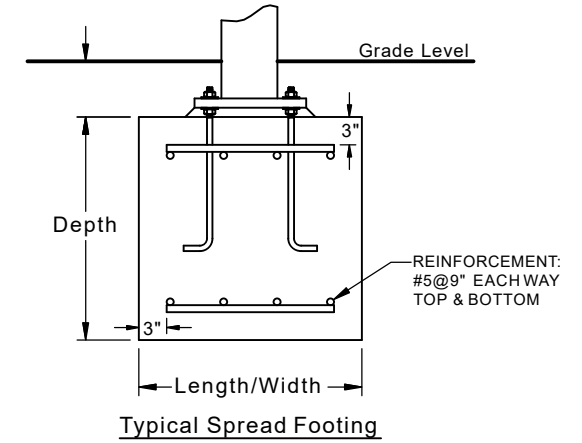
Fabric Connection



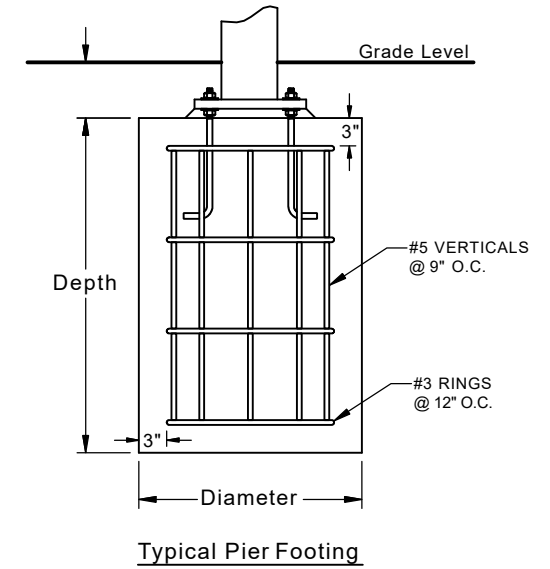
Plan View



Side View



Typical Spread Footing



Typical Pier Footing

**Column & Footing Schedule**

Column ID	Column Size	Est. Footing Size	Est. Pier Footing Size
C1	5" Sch40	1.7'x 1.7'x 3.0'	3.8' Deep x Ø1.5'
C2	5" Sch40	1.7'x 1.7'x 3.0'	3.8' Deep x Ø1.5'
C3	5" Sch40	1.7'x 1.7'x 3.0'	3.8' Deep x Ø1.5'

SCALE  
Not to Scale

SHADE:  
15' X 15' X 21' 8" EH TRIANGLE SAIL



**Furniture Leisure**

Commercial Site Furnishings

1-800-213-2401 | sales@furnitureleisure.com

FurnitureLeisure.com PoolFurnitureSupply.com  
PicnicFurniture.com PicnicTableSupplier.com  
ParkTables.com UBrace.com