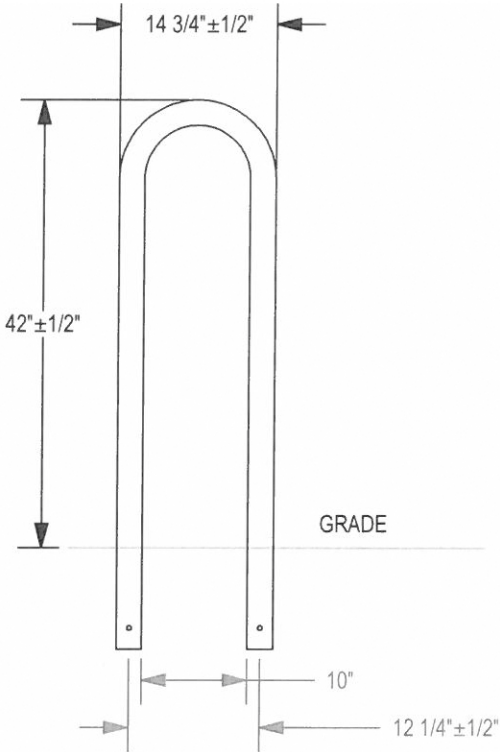


FURNITURE LEISURE INC

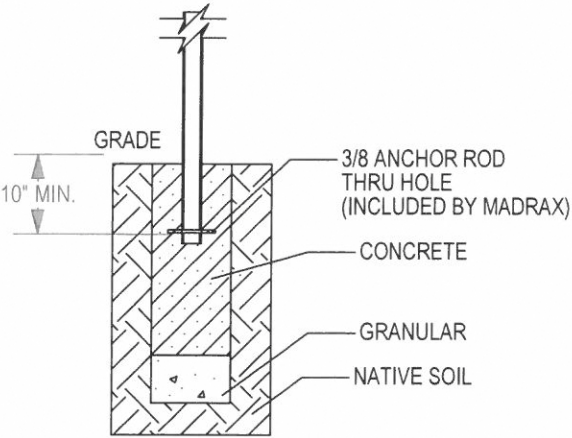
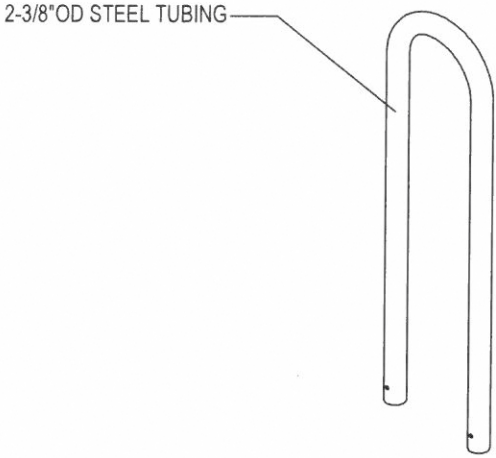
OUR LIST OF WEB STORES

www.FurnitureLeisure.com www.PoolFurnitureSupply.com
www.PicnicFurniture.com www.PicnicTableSupplier.com
www.ParkTables.com www.UBrace.com

1.800.213.2401



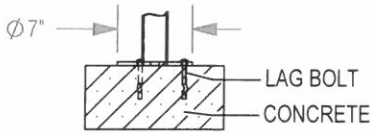
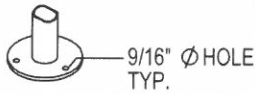
ELEVATION VIEW



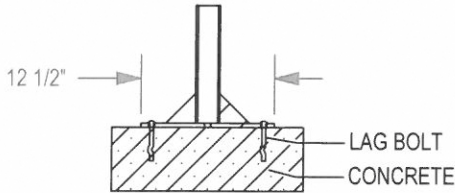
IN GROUND MOUNT (IG)

1 LOOP - 3 BIKE CAPACITY

CHECK DESIRED MOUNT



SURFACE FLANGE MOUNT (SF)



SURFACE GUSSET MOUNT (SG)

SECTION VIEWS

DESCRIPTION: HEAVY DUTY WINDER BIKE RACK
 3 BIKE, SURFACE OR IN GROUND MOUNT
 DATE: 8-21-12
 ENG: SMC

CONFIDENTIAL DRAWING AND INFORMATION IS NOT TO BE COPIED OR DISCLOSED TO OTHERS WITHOUT THE CONSENT OF GRABER MANUFACTURING, INC. SPECIFICATIONS ARE SUBJECT TO CHANGE WITHOUT NOTICE.

NOTES:
 1. INSTALL BIKE RACKS ACCORDING TO MANUFACTURER'S SPECIFICATIONS.
 2. CONSULTANT TO SELECT COLOR(FINISH), SEE MANUFACTURER'S SPECIFICATIONS.
 3. SEE SITE PLAN FOR LOCATION OR CONSULT OWNER.