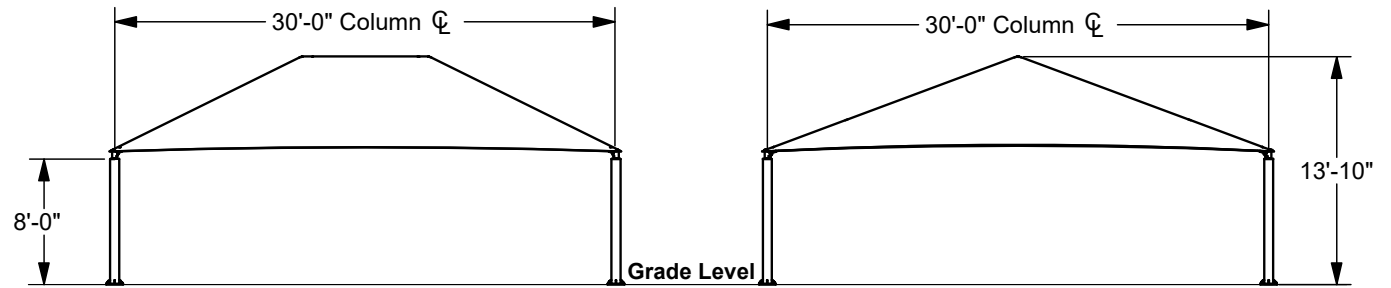


SQUARE HIP SHADE

30' x 30' x 8'

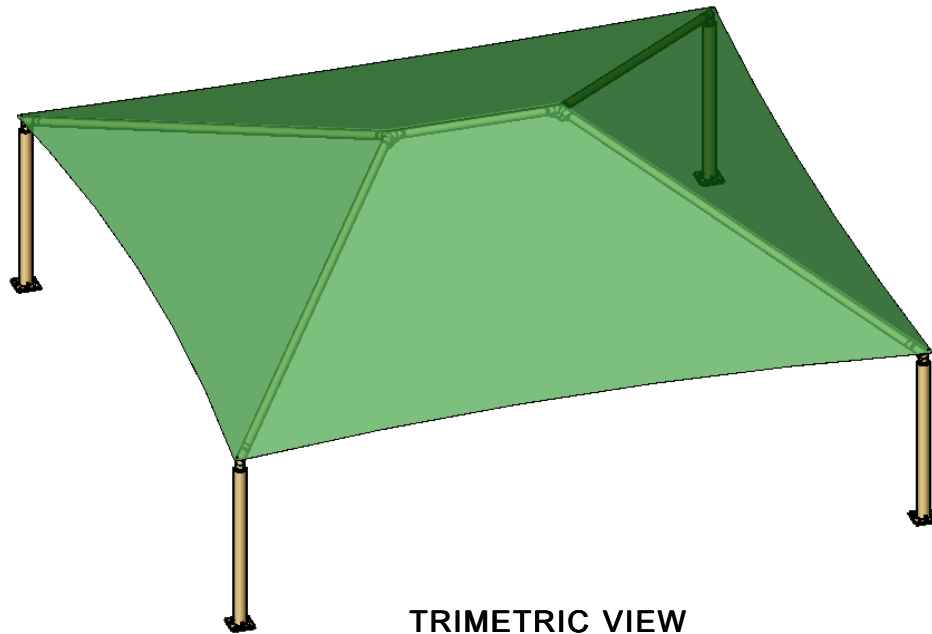
MODEL #:
SD303008SG (With Glide Elbows)
SD303008SN (Without Glide Elbows)



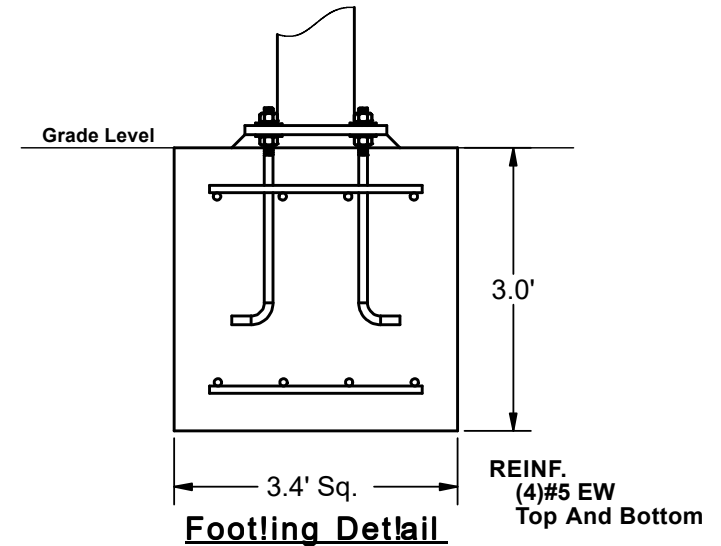
FRONT VIEW

SIDE VIEW

REF.#	PART DESCRIPTION	QTY.
1	Ø5.5" Capped Surface Mount Column	4
2	Angled Elbow	4
3	Ø3.5" Hip Rafter w/ Swaged End	4
4	Ø3.5" Ridge Pole w/ Swaged Ends	1
5	Square "Y" Connection	2
6	Fabric Cover w/ Cable Insert	1
7	Frame Hardware Kit	1



TRIMETRIC VIEW



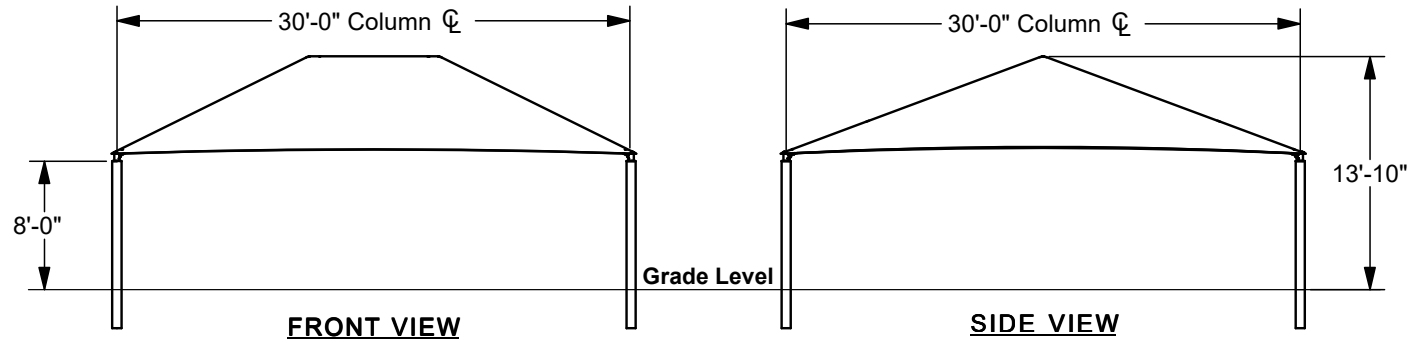
REINF.
(4)#5 EW
Top And Bottom

*Footling design based on 1500 PSF soil bearing pressure.

SQUARE HIP SHADE

30' x 30' x 8'

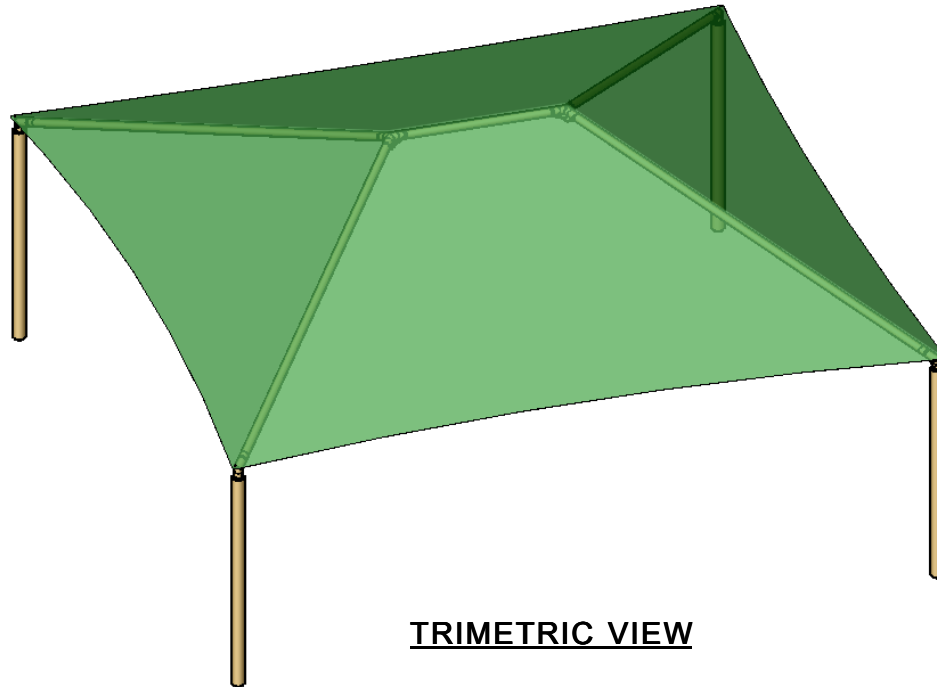
MODEL #:
SD303008IG (With Glide Elbows)
SD303008IN (Without Glide Elbows)



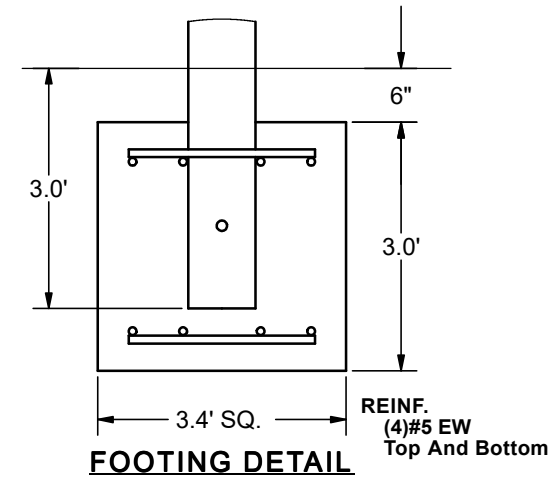
FRONT VIEW

SIDE VIEW

REF.#	PART DESCRIPTION	QTY.
1	Ø5.5" Capped Embedded Column	4
2	Angled Elbow	4
3	Ø3.5" Hip Rafter w/ Swaged End	4
4	Ø3.5" Ridge Pole w/ Swaged Ends	1
5	Square "Y" Connection	2
6	Fabric Cover w/ Cable Insert	1
7	Frame Hardware Kit	1



TRIMETRIC VIEW



FOOTING DETAIL

REINF.
(4)#5 EW
Top And Bottom

*Footing design based on 1500 PSF soil bearing pressure.