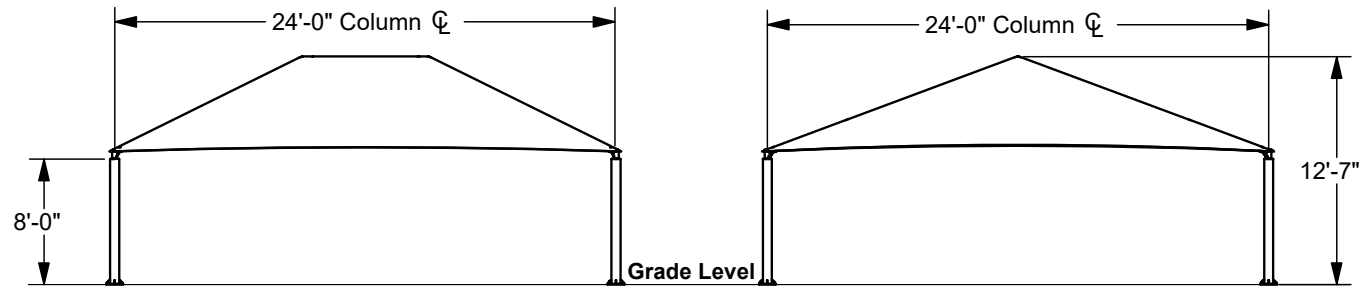


SQUARE HIP SHADE

24' x 24' x 8'

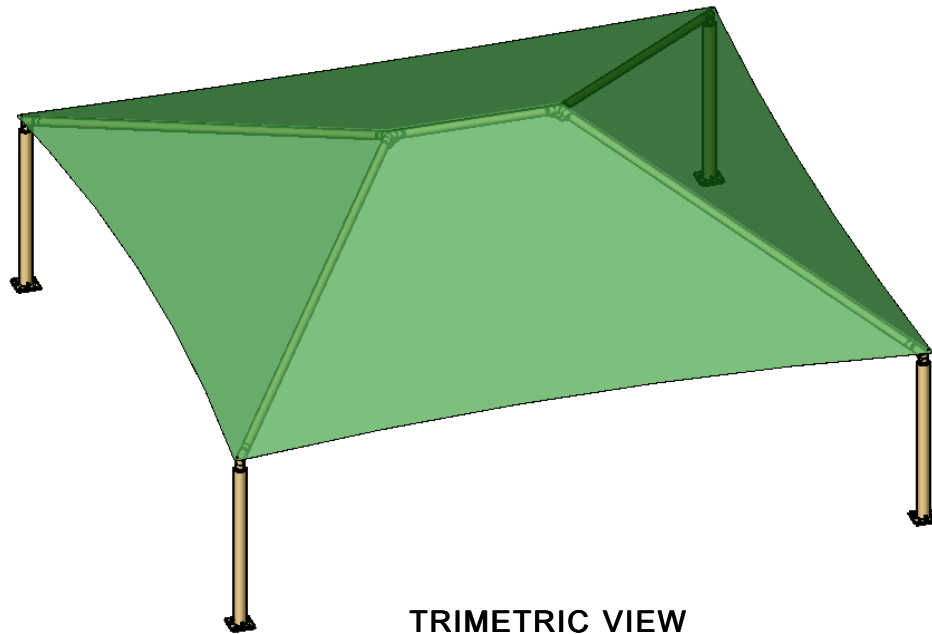
MODEL #:
SD242408SG (With Glide Elbows)
SD242408SN (Without Glide Elbows)



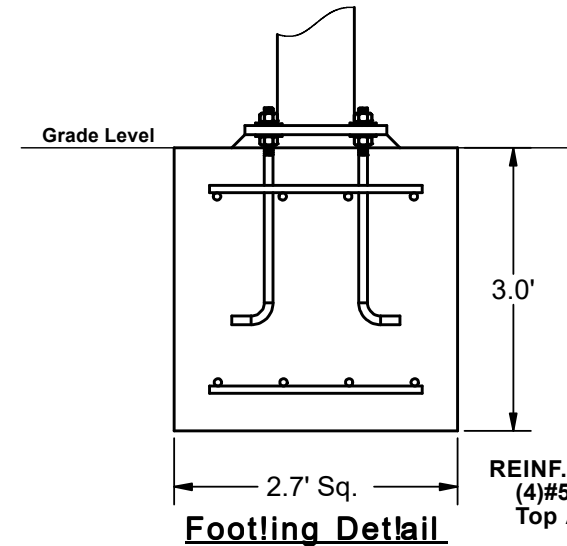
FRONT VIEW

SIDE VIEW

REF.#	PART DESCRIPTION	QTY.
1	Ø5.0" Capped Surface Mount Column	4
2	Angled Elbow	4
3	Ø2.88" Hip Rafter w/ Swaged End	4
4	Ø2.88" Ridge Pole w/ Swaged Ends	1
5	Square "Y" Connection	2
6	Fabric Cover w/ Cable Insert	1
7	Frame Hardware Kit	1



TRIMETRIC VIEW



Footling Detail

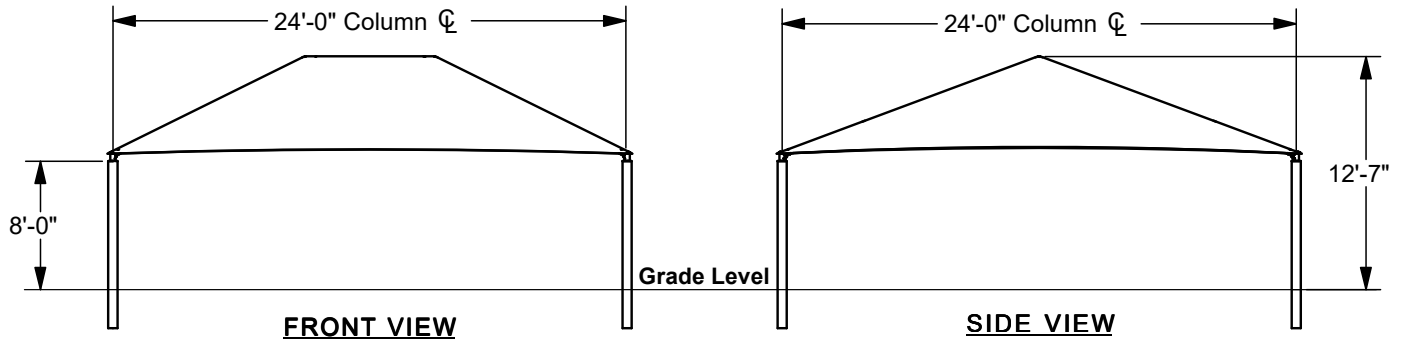
REINF.
(4)#5 EW
Top And Bottom

*Footing design based on 1500 PSF soil bearing pressure.

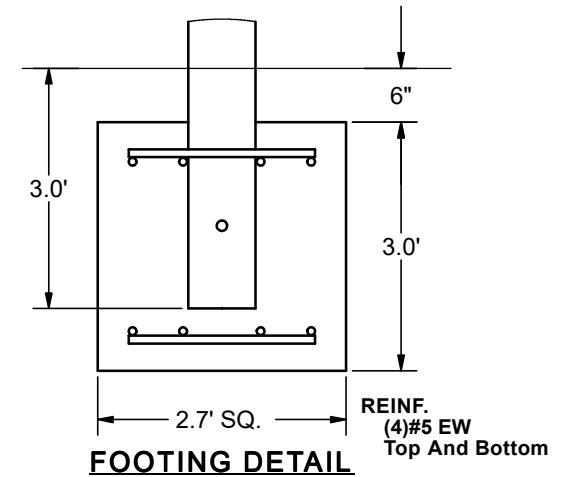
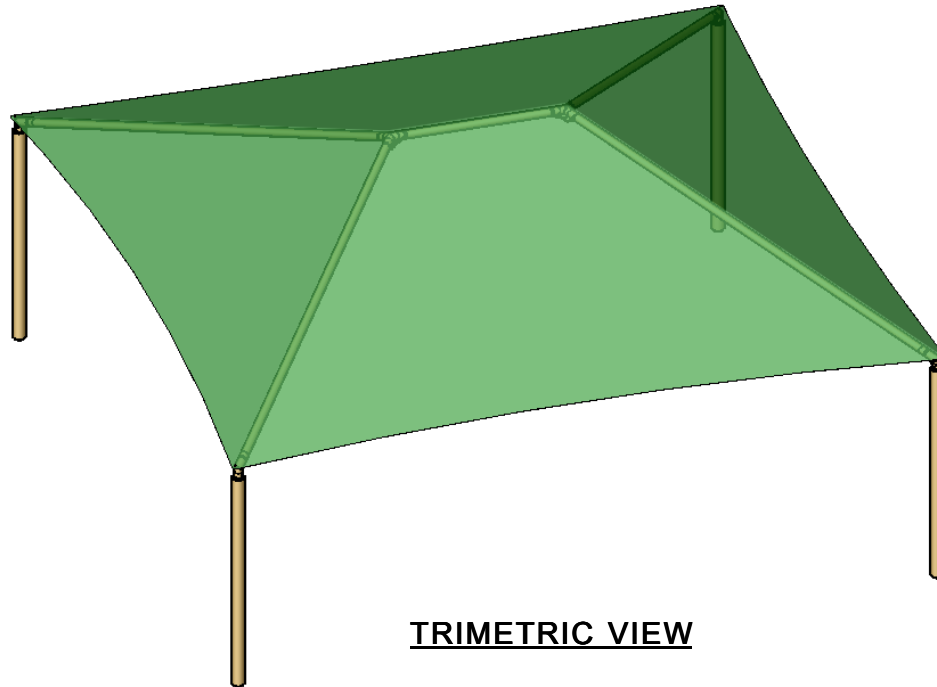
SQUARE HIP SHADE

24' x 24' x 08'

MODEL #:
SD242408IG (With Glide Elbows)
SD242408IN (Without Glide Elbows)



REF.#	PART DESCRIPTION	QTY.
1	Ø5.0" Capped Embedded Column	4
2	Angled Elbow	4
3	Ø2.88" Hip Rafter w/ Swaged End	4
4	Ø2.88" Ridge Pole w/ Swaged Ends	1
5	Square "Y" Connection	2
6	Fabric Cover w/ Cable Insert	1
7	Frame Hardware Kit	1



*Footing design based on 1500 PSF soil bearing pressure.