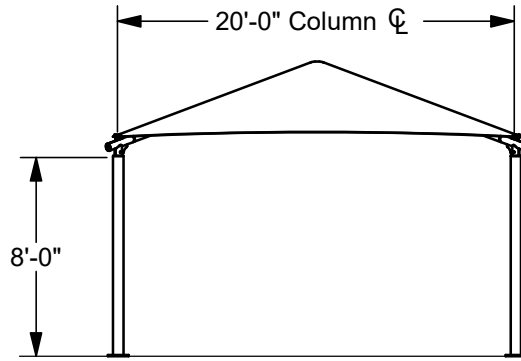


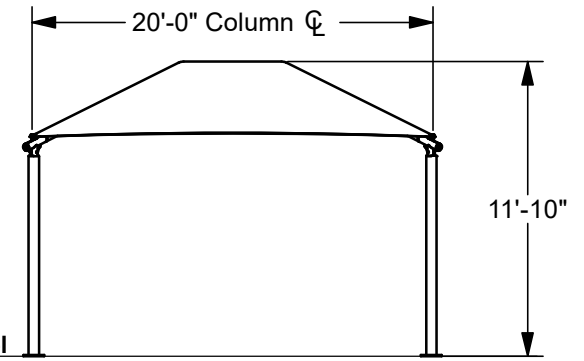
SQUARE HIP SHADE

20' x 20' x 8'

MODEL #:
SD202008SG (With Glide Elbows)
SD202008SN (Without Glide Elbows)



SIDE VIEW

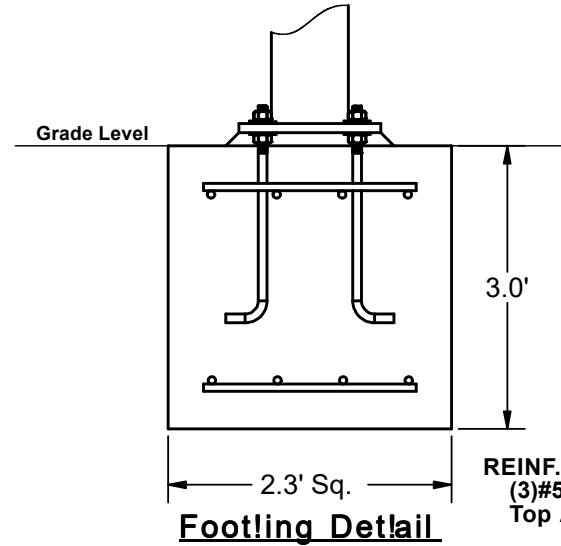


FRONT VIEW

REF.#	PART DESCRIPTION	QTY.
1	Ø5.0" Capped Surface Mount Column	4
2	Angled Elbow	4
3	Ø2.88" Hip Rafter w/ Swaged End	4
4	Ø2.88" Ridge Pole w/ Swaged Ends	1
5	Square "Y" Connection	2
6	Fabric Cover w/ Cable Insert	1
7	Frame Hardware Kit	1



TRIMETRIC VIEW



Footling Detail

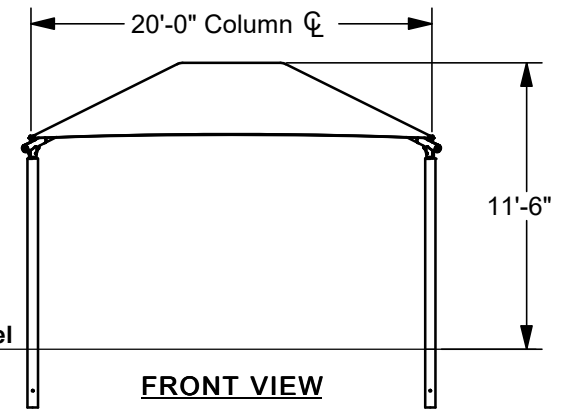
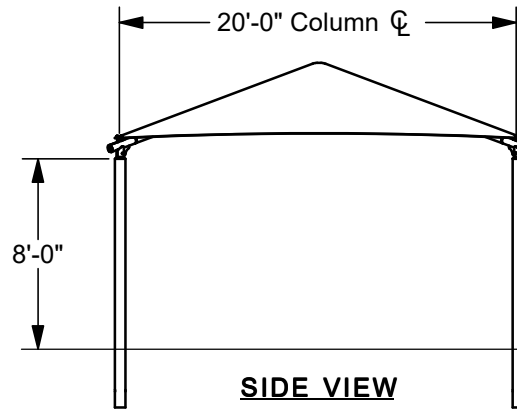
REINF.
(3)#5 EW
Top And Bottom

*Footing design based on 1500 PSF soil bearing pressure.

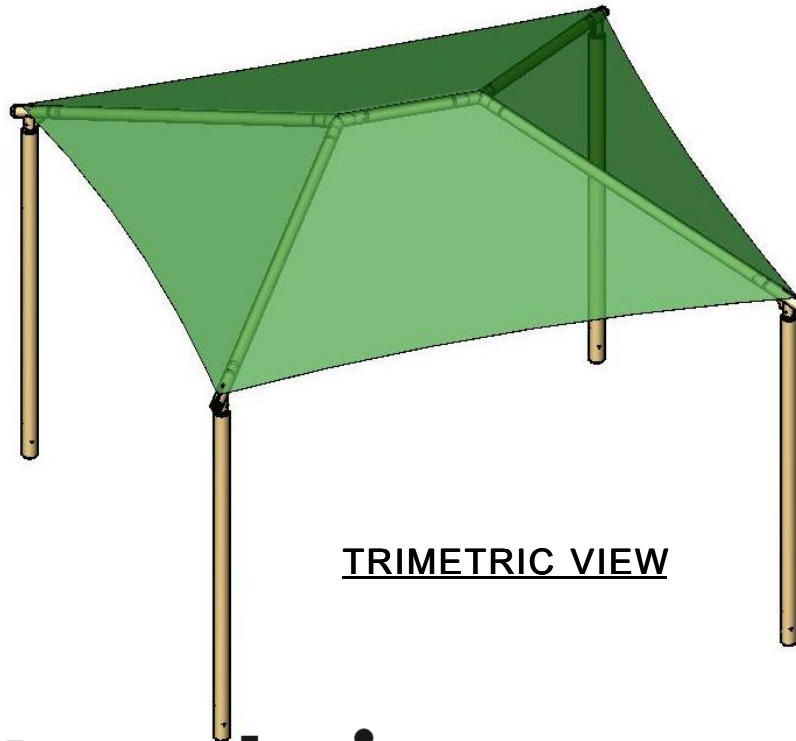
SQUARE HIP SHADE

20' x 20' x 8'

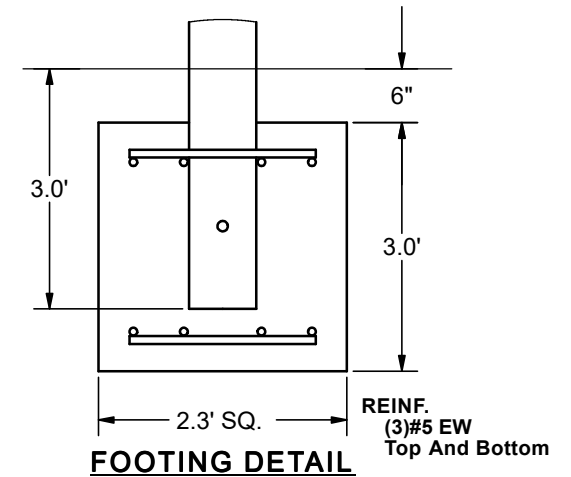
MODEL #:
SD202081G (With Glide Elbows)
SD202008IN (Without Glide Elbows)



REF.#	PART DESCRIPTION	QTY.
1	Ø5.0" Capped Embedded Column	4
2	Angled Elbow	4
3	Ø2.88" Hip Rafter w/ Swaged End	4
4	Ø2.88" Ridge Pole w/ Swaged Ends	1
5	Square "Y" Connection	2
6	Fabric Cover w/ Cable Insert	1
7	Frame Hardware Kit	1



TRIMETRIC VIEW



REINF.
(3)#5 EW
Top And Bottom

*Footing design based on 1500 PSF soil bearing pressure.