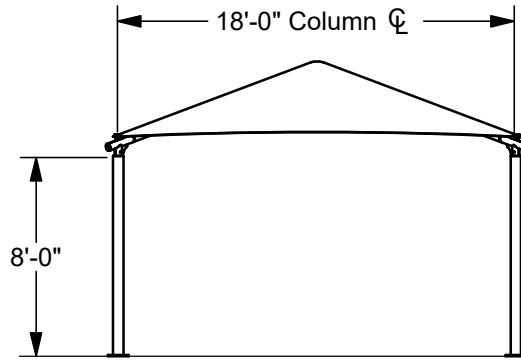


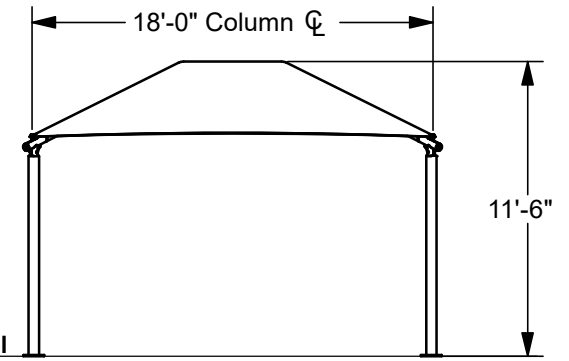
SQUARE HIP SHADE

**18' x 18' x 8'**

MODEL #:  
SD181808SG (With Glide Elbows)  
SD181808SN (Without Glide Elbows)



**SIDE VIEW**

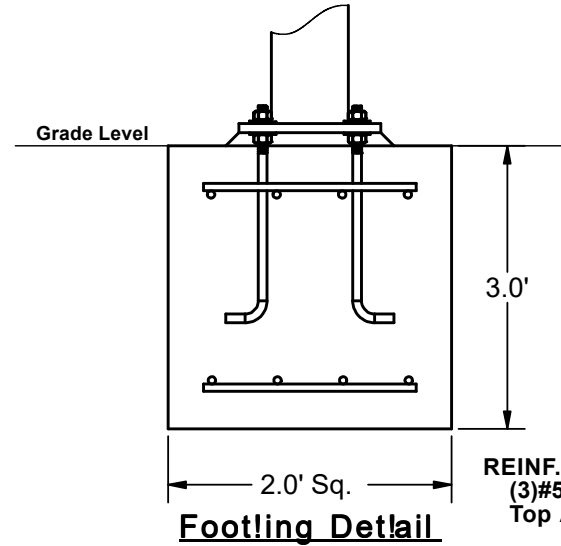


**FRONT VIEW**

REF.#	PART DESCRIPTION	QTY.
1	Ø5.0" Capped Surface Mount Column	4
2	Angled Elbow	4
3	Ø2.88" Hip Rafter w/ Swaged End	4
4	Ø2.88" Ridge Pole w/ Swaged Ends	1
5	Square "Y" Connection	2
6	Fabric Cover w/ Cable Insert	1
7	Frame Hardware Kit	1



**TRIMETRIC VIEW**



**Footling Detail**

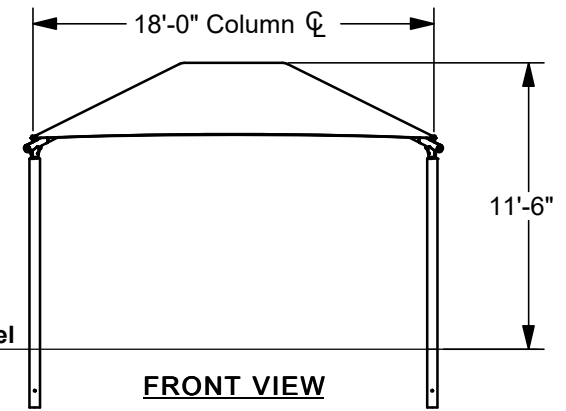
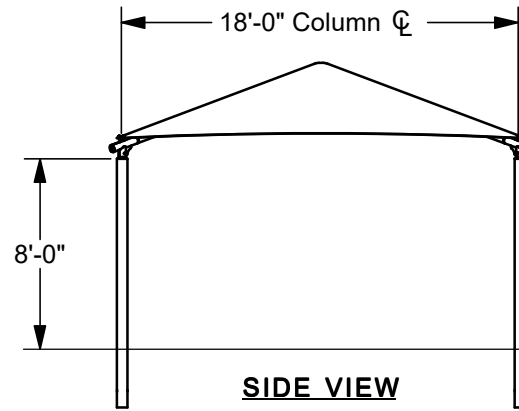
REINF.  
(3)#5 EW  
Top And Bottom

\*Footing design based on 1500 PSF soil bearing pressure.

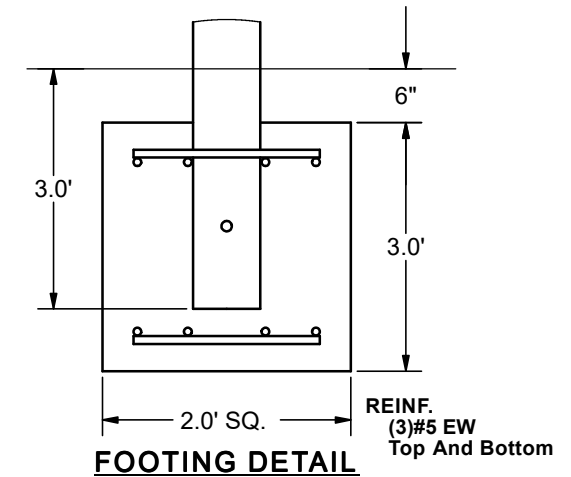
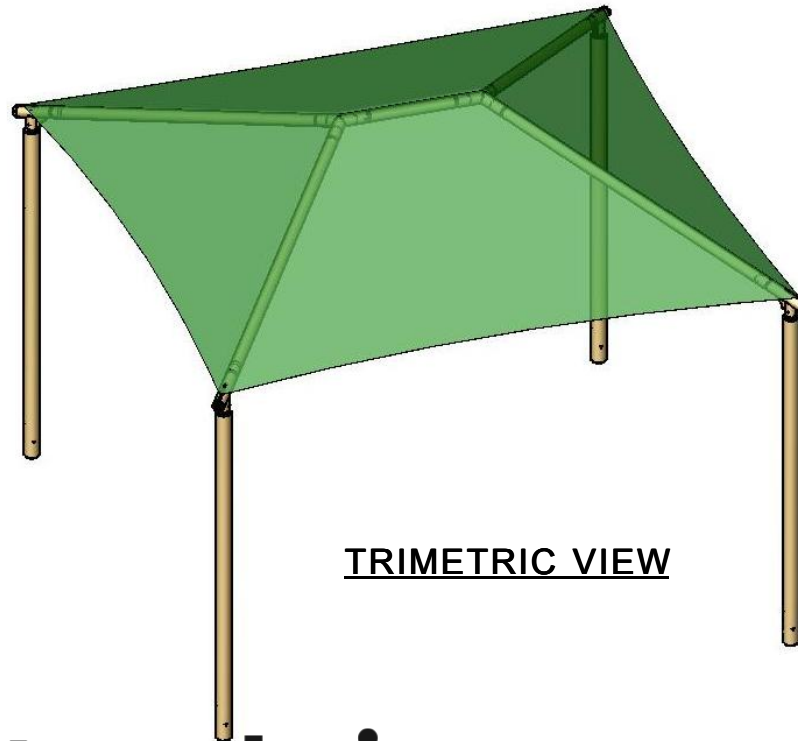
SQUARE HIP SHADE

**18' x 18' x 8'**

MODEL #:  
SD181808IG (With Glide Elbows)  
SD181808IN (Without Glide Elbows)



REF.#	PART DESCRIPTION	QTY.
1	Ø5.0" Capped Embedded Column	4
2	Angled Elbow	4
3	Ø2.88" Hip Rafter w/ Swaged End	4
4	Ø2.88" Ridge Pole w/ Swaged Ends	1
5	Square "Y" Connection	2
6	Fabric Cover w/ Cable Insert	1
7	Frame Hardware Kit	1



\*Footing design based on 1500 PSF soil bearing pressure.