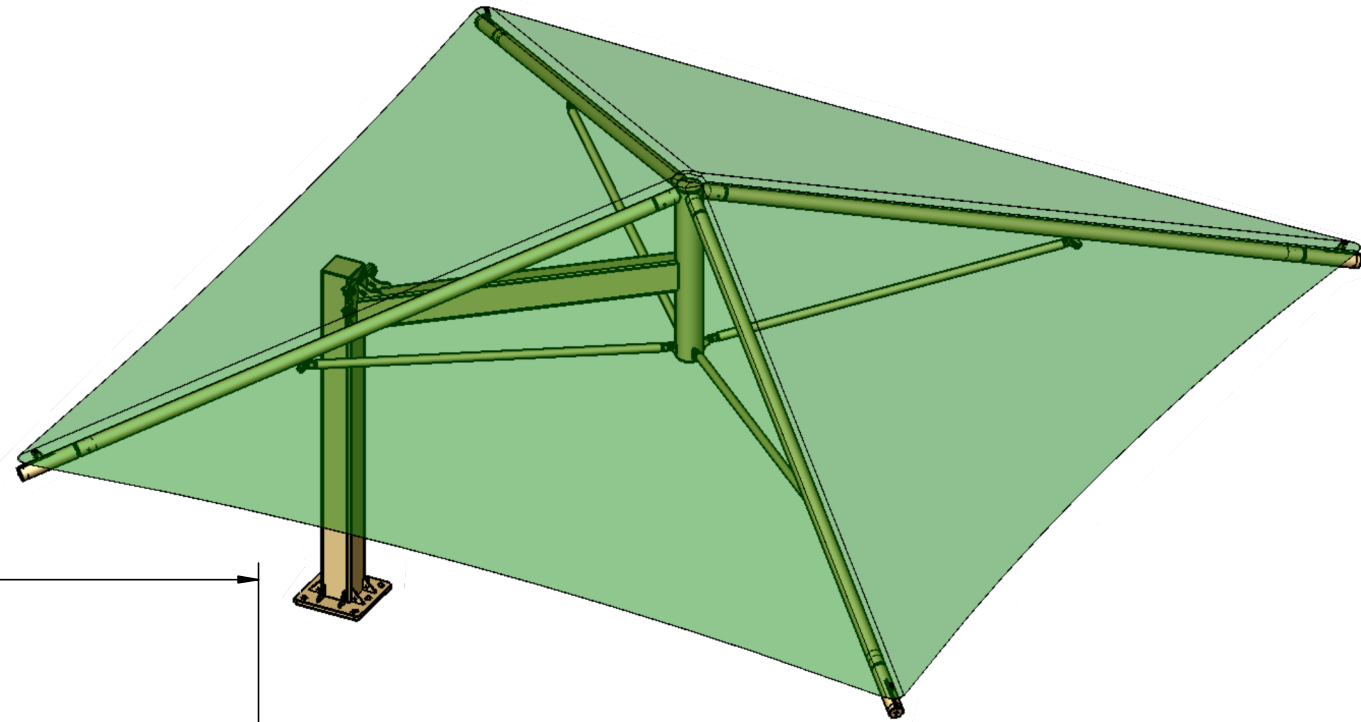


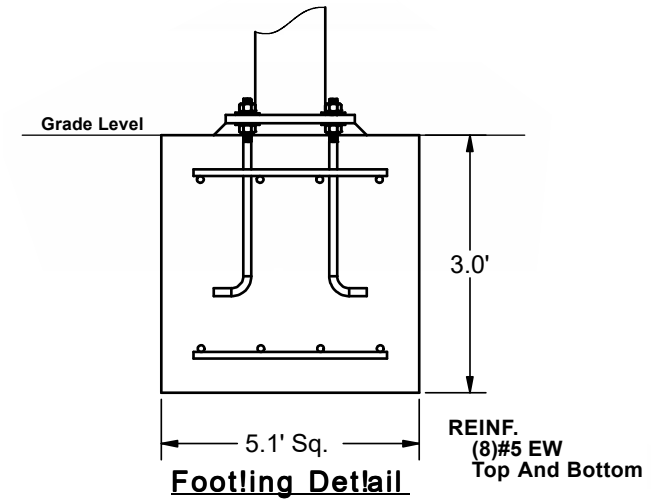
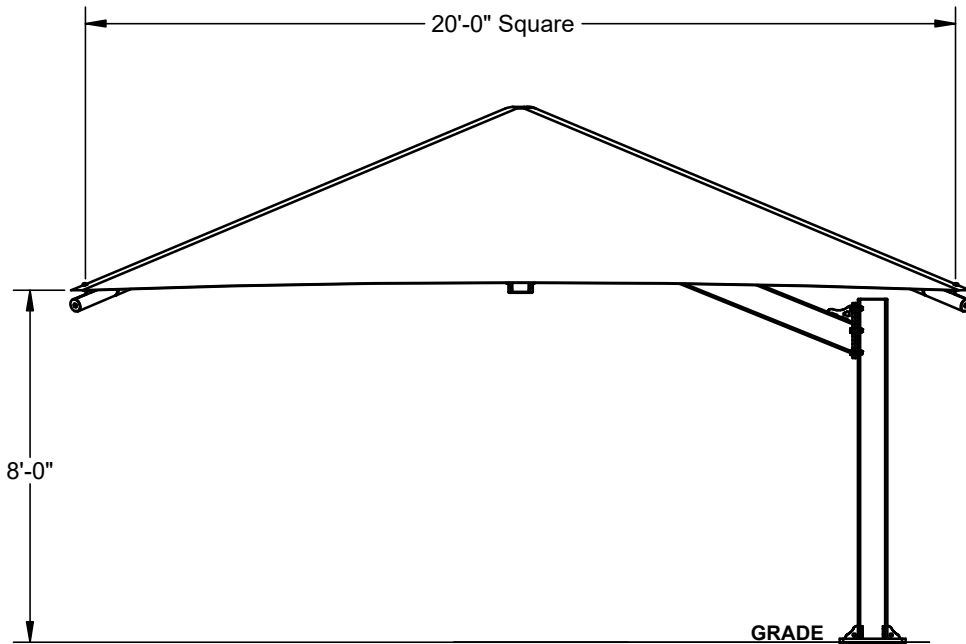
CANTILEVER UMBRELLA SHADE

**20' x 20' x 8'**

MODEL #:  
 CU202008SG (With Glide Elbows)  
 CU202008SN (Without Glide Elbows)



REF.#	PART DESCRIPTION	QTY.
1	Column - 8" Sq. w/ Mounting Plate	1
2	Cantilever Arm/Crown - 6"x8"/Ø6.6"/Ø3 1/2"	1
3	Rafter - Ø3 1/2" Swaged w/ Adjustment Plate	4
4	Strut - Ø1 7/8" Rigid	4
5	Canopy - 20' x 20' w/ Cable Insert	1
6	Hardware Kit	1
7	Anchor Hardware	1



CANTILEVER UMBRELLA SHADE

**20' x 20' x 8'**

MODEL #:  
 CU2020081G (With Glide Elbows)  
 CU2020081N (Without Glide Elbows)

REF.#	PART DESCRIPTION	QTY.
1	Column - 8" Sq. w/ Mounting Plate	1
2	Cantilever Arm/Crown - 6"x8"/Ø6.6"/Ø3 1/2"	1
3	Rafter - Ø3 1/2" Swaged w/ Adjustment Plate	4
4	Strut - Ø1 7/8" Rigid	4
5	Canopy - 20' x 20' w/ Cable Insert	1
6	Hardware Kit	1

