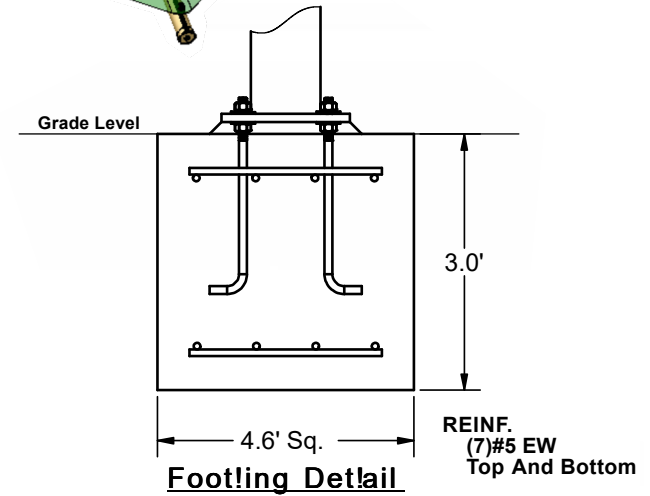
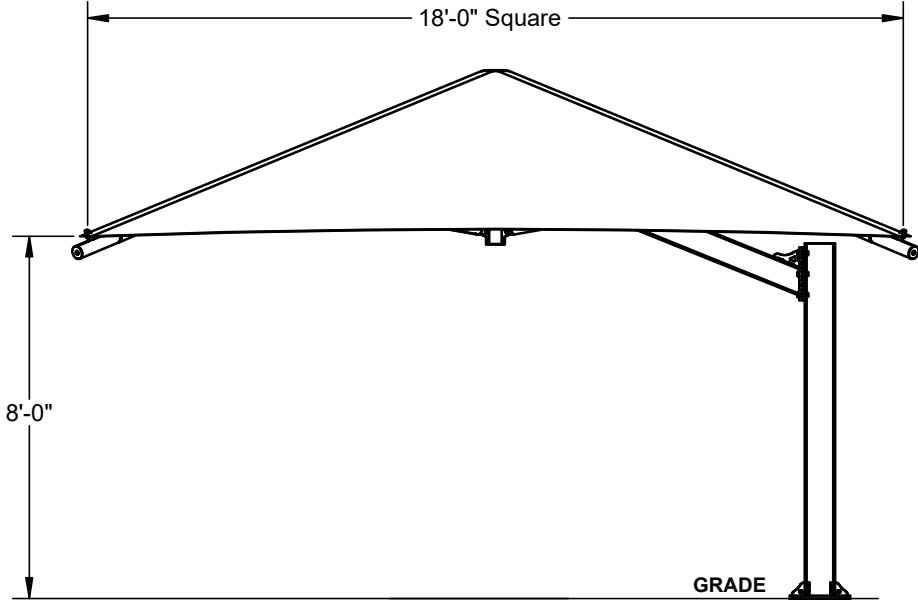
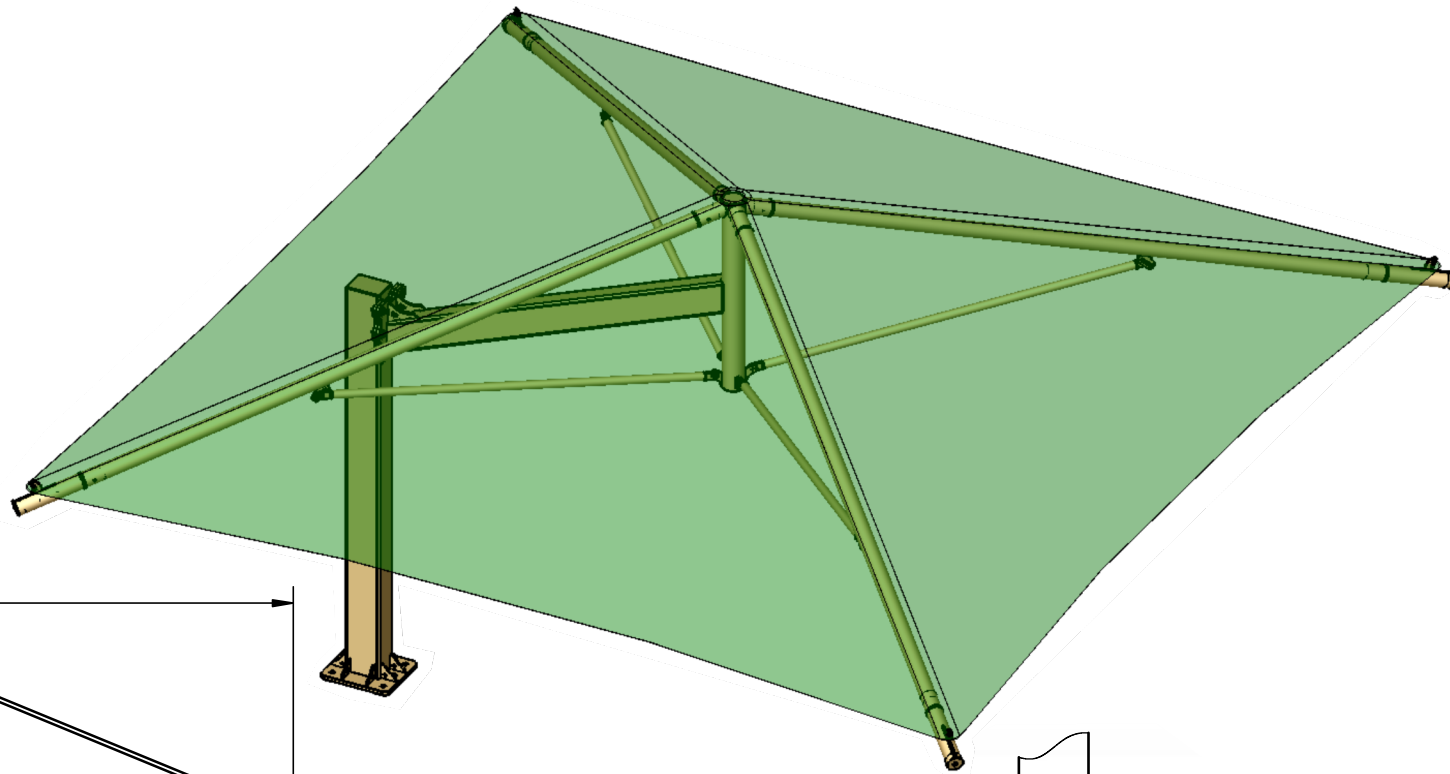


CANTILEVER UMBRELLA SHADE

**18' x 18' x 8'**

MODEL #:  
 CU181808SG (With Glide Elbows)  
 CU181808SN (Without Glide Elbows)

REF.#	PART DESCRIPTION	QTY.
1	Column - 6" x 8" w/ Mounting Plate	1
2	Cantilever Arm/Crown - 5" x 7" / Ø5" / Ø3 1/2"	1
3	Rafter - Ø3 1/2" Swaged w/ Adjustment Plate	4
4	Strut - Ø1 7/8" Rigid	4
5	Canopy - 18' x 18' w/ Cable Insert	1
6	Hardware Kit	1
7	Anchor Hardware	1

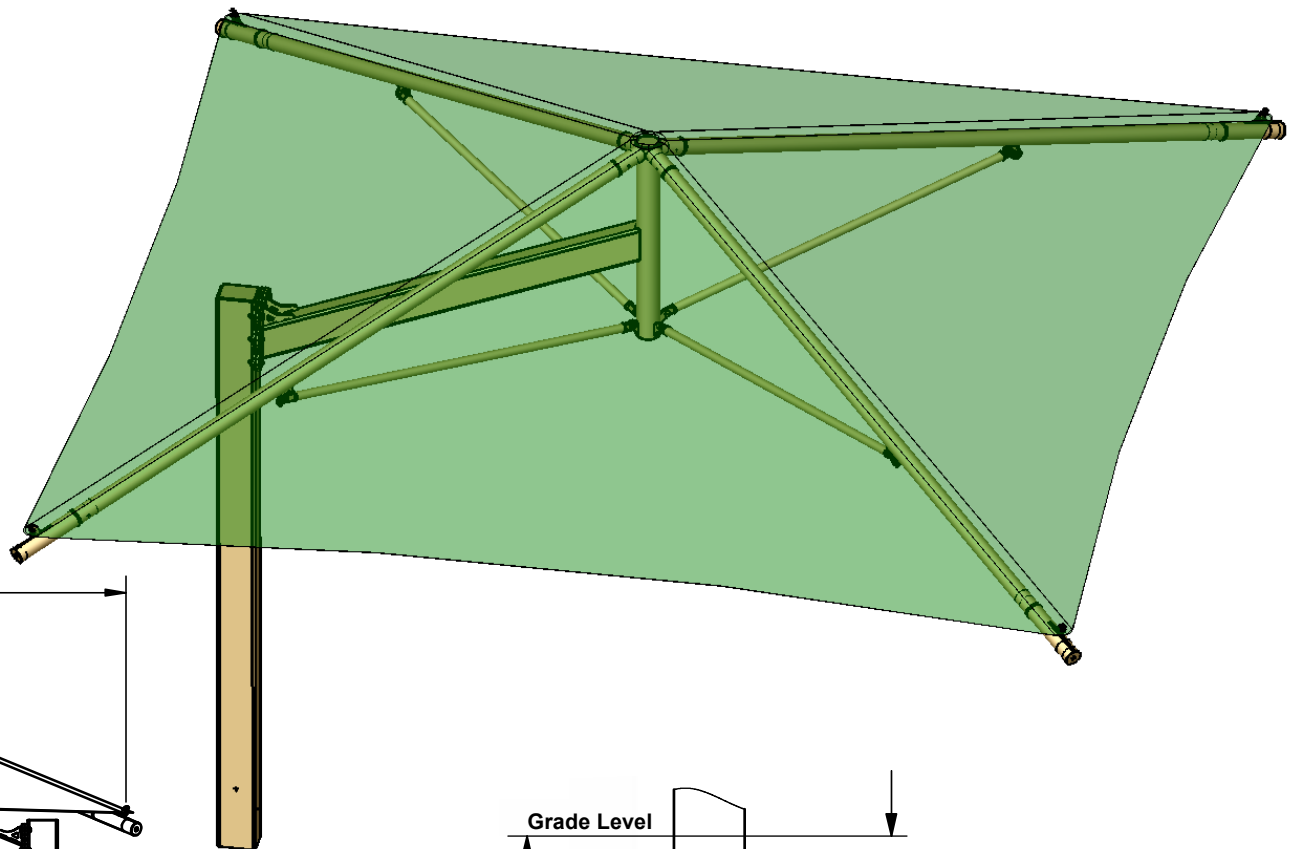


\*Footing design based on 1500 PSF soil bearing pressure.

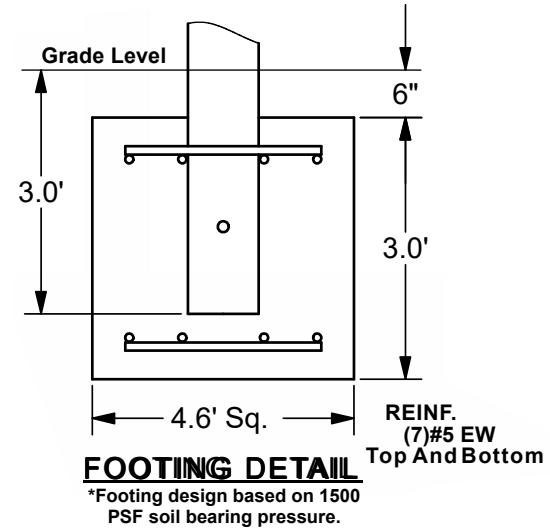
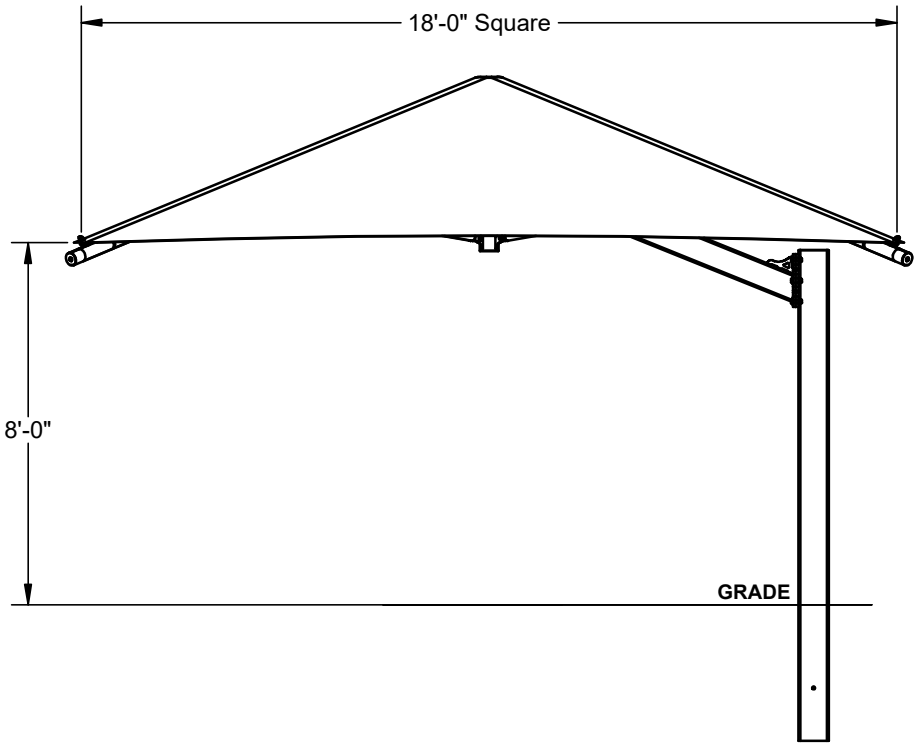
CANTILEVER UMBRELLA SHADE

**18 x 18' x 8'**

MODEL #:  
 CU181808IG (With Glide Elbows)  
 CU181808IN (Without Glide Elbows)



REF.#	PART DESCRIPTION	QTY.
1	Column - 6" x 8" w/ Mounting Plate	1
2	Cantilever Arm/Crown - 5" x 7" / Ø5" / Ø3 1/2"	1
3	Rafter - Ø3 1/2" Swaged w/ Adjustment Plate	4
4	Strut - Ø1 7/8" Rigid	4
5	Canopy - 18' x 18' w/ Cable Insert	1
6	Hardware Kit	1



 **Furniture Leisure**  
 Commercial Site Furnishings  
 1-800-213-2401 | sales@furnitureleisure.com

FurnitureLeisure.com PoolFurnitureSupply.com  
 PicnicFurniture.com PicnicTableSupplier.com  
 ParkTables.com UBrace.com