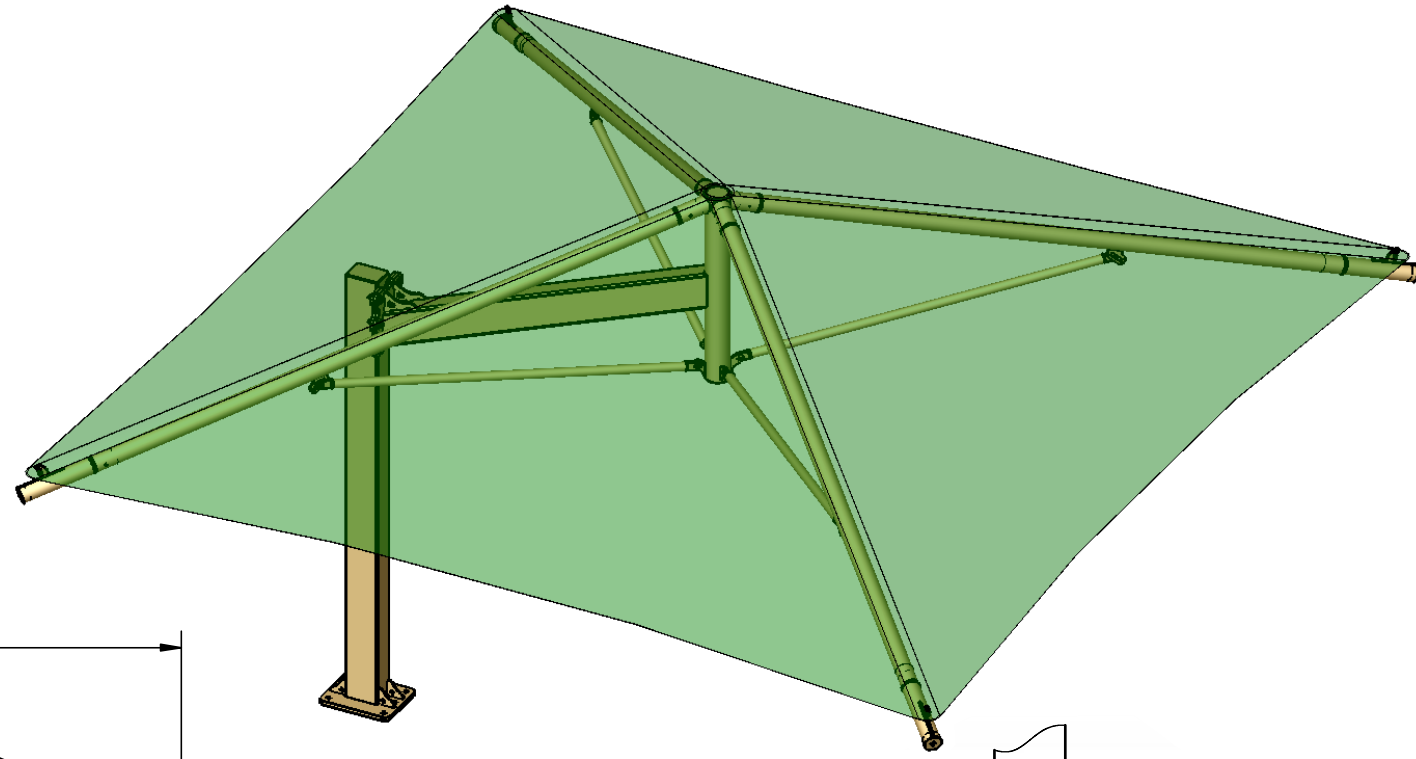


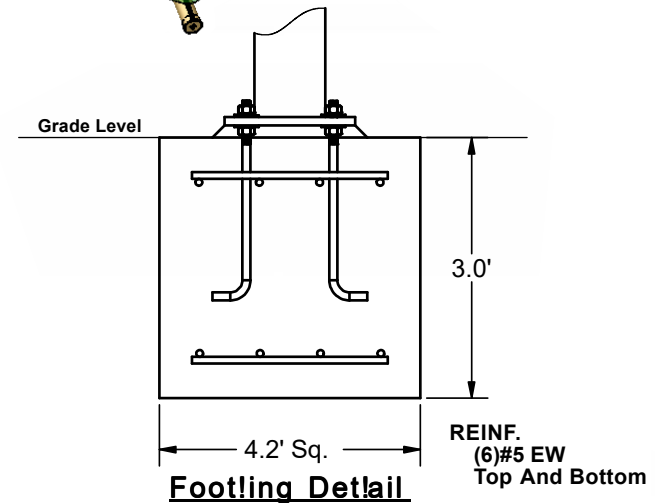
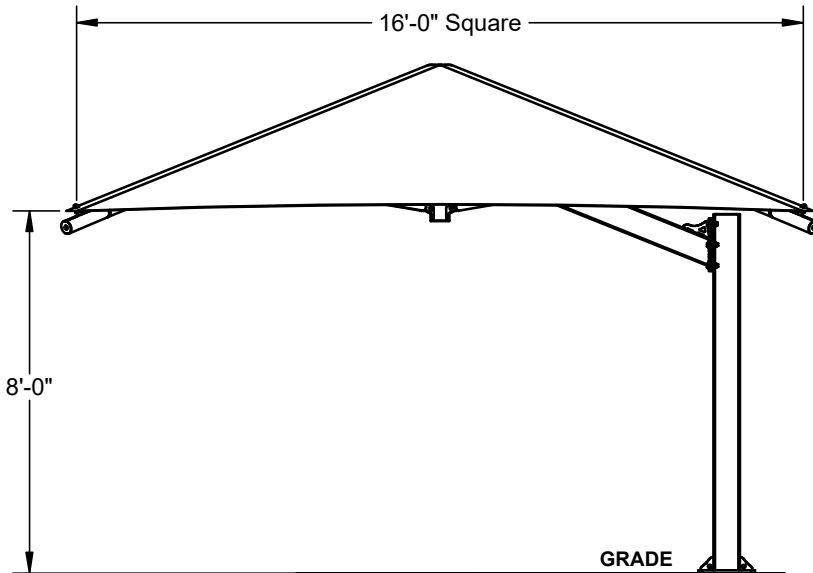
CANTILEVER UMBRELLA SHADE

**16' x 16' x 8'**

MODEL #:  
 CU161608IG (With Glide Elbows)  
 CU161608IN (Without Glide Elbows)



REF.#	PART DESCRIPTION	QTY.	REF.#
1	Column - 5" x 7" w/ Mounting Plate	1	1
2	Cantilever Arm/Crown - 5" x 7" / Ø5" / Ø3 1/2"	1	2
3	Rafter - Ø3 1/2" Swaged w/ Adjustment Plate	4	3
4	Strut - Ø1 7/8" Rigid	4	4
5	Canopy - 16' x 16' w/ Cable Insert	1	5
6	Hardware Kit	1	6
7	Anchor Hardware	1	

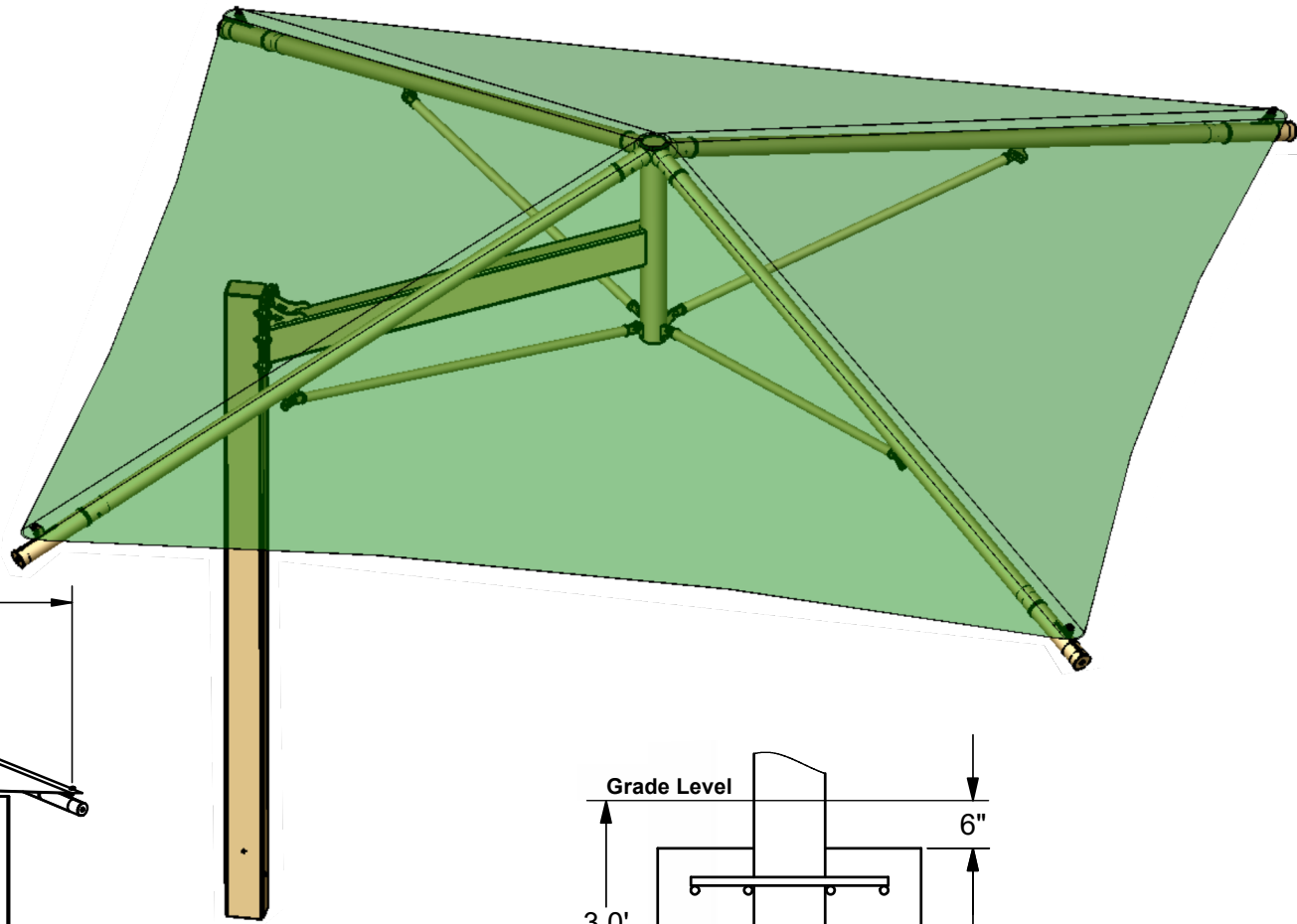


\*Footing design based on 1500 PSF soil bearing pressure.

CANTILEVER UMBRELLA SHADE

**16' x 16' x 8'**

MODEL #:  
 CU161608SG (With Glide Elbows)  
 CU161608SN (Without Glide Elbows)



REF.#	PART DESCRIPTION	QTY.
1	Column - 5" x 7" w/ Mounting Plate	1
2	Cantilever Arm/Crown - 5" x 7" / Ø5" / Ø3 1/2"	1
3	Rafter - Ø3 1/2" Swaged w/ Adjustment Plate	4
4	Strut - Ø1 7/8" Rigid	4
5	Canopy - 16' x 16' w/ Cable Insert	1
6	Hardware Kit	1

