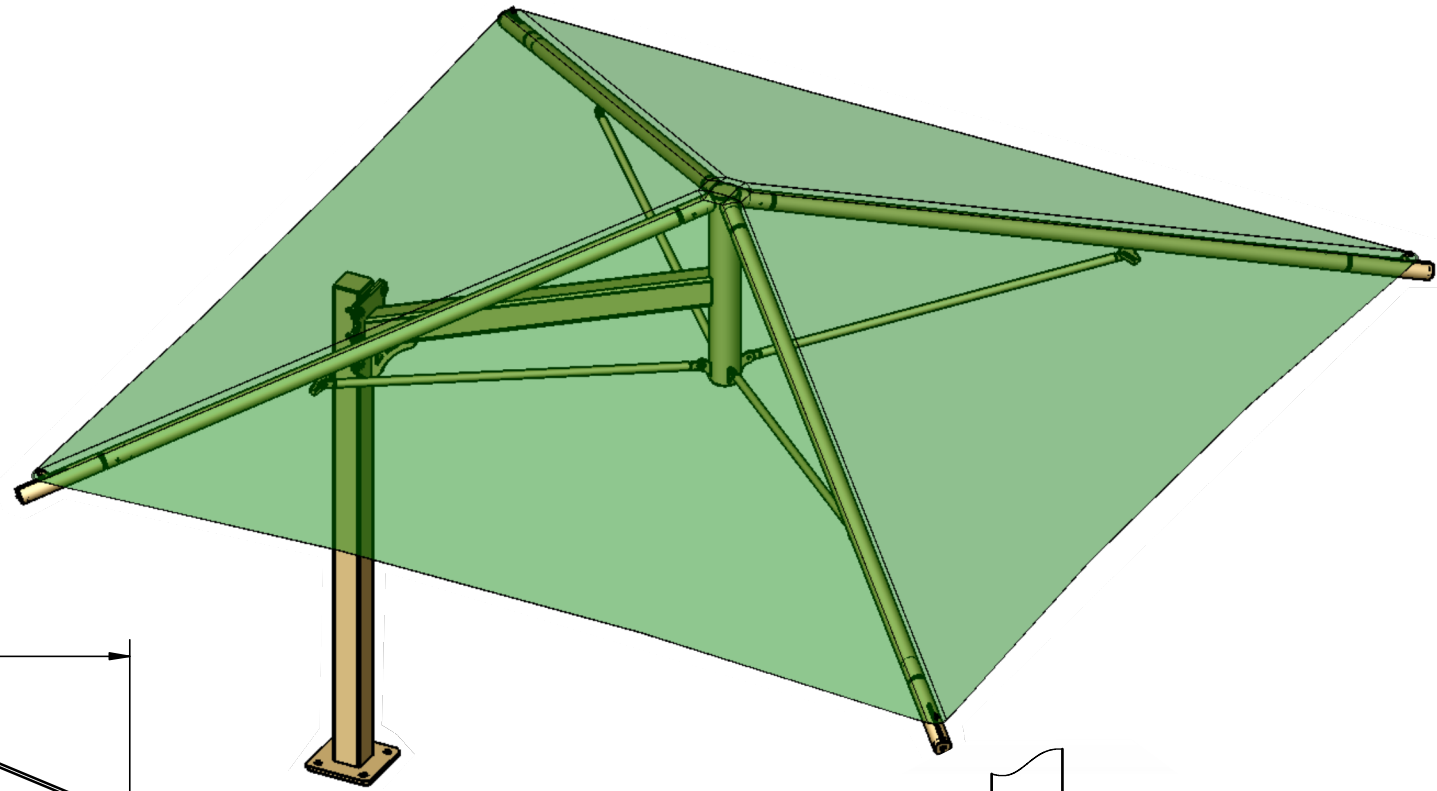


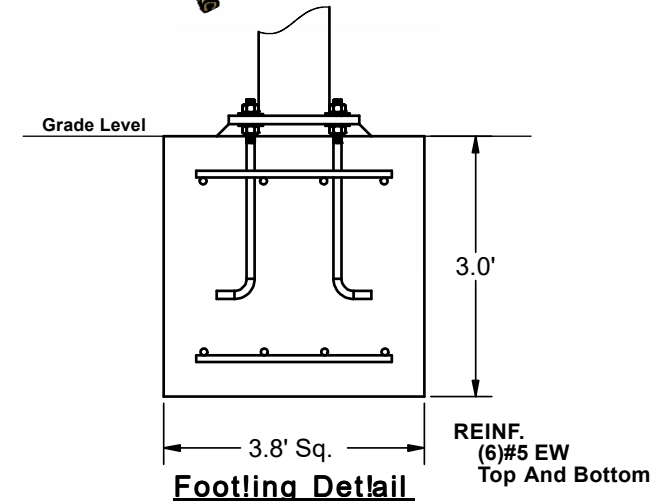
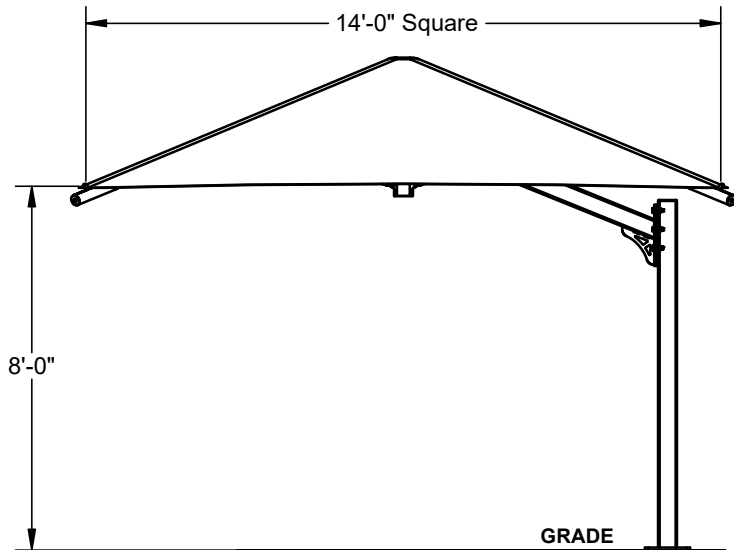
CANTILEVER UMBRELLA SHADE

**14' x 14' x 8'**

MODEL #:  
 CU141408SG (With Glide Elbows)  
 CU141408SN (Without Glide Elbows)



REF.#	PART DESCRIPTION	QTY.
1	Column - 5" Sq. w/ Mounting Plate	1
2	Cantilever Arm/Crown - 5" Sq. / Ø5" / Ø2 7/82'	1
3	Rafter - Ø2 7/8" Swaged w/ Adjustment Plate	4
4	Strut - Ø1 1/4" Rigid	4
5	Canopy - 14' x 14' w/ Cable Insert	1
6	Hardware Kit	1
7	Anchor Hardware	1



\*Footing design based on 1500 PSF soil bearing pressure.

 **Furniture Leisure**  
 Commercial Site Furnishings  
 1-800-213-2401 | sales@furnitureleisure.com

FurnitureLeisure.com PoolFurnitureSupply.com  
 PicnicFurniture.com PicnicTableSupplier.com  
 ParkTables.com UBrace.com

CANTILEVER UMBRELLA SHADE

**14' x 14' x 8'**

MODEL #:  
 CU141408IG (With Glide Elbows)  
 CU141408IN (Without Glide Elbows)

REF.#	PART DESCRIPTION	QTY.
1	Column - 5" Sq. w/ Mounting Plate	1
2	Cantilever Arm/Crown - 5" Sq. / Ø5" / Ø2 7/8"	1
3	Rafter - Ø2 7/8" Swaged w/ Adjustment Plate	4
4	Strut - Ø1 1/4" Rigid	4
5	Canopy - 14' x 14' w/ Cable Insert	1
6	Hardware Kit	1

