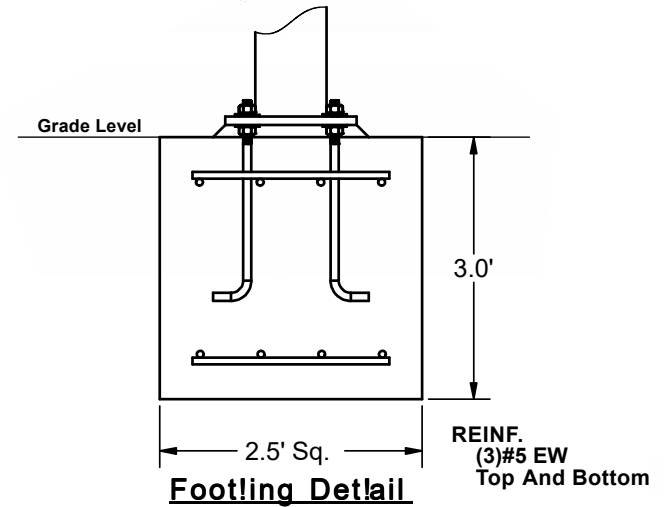
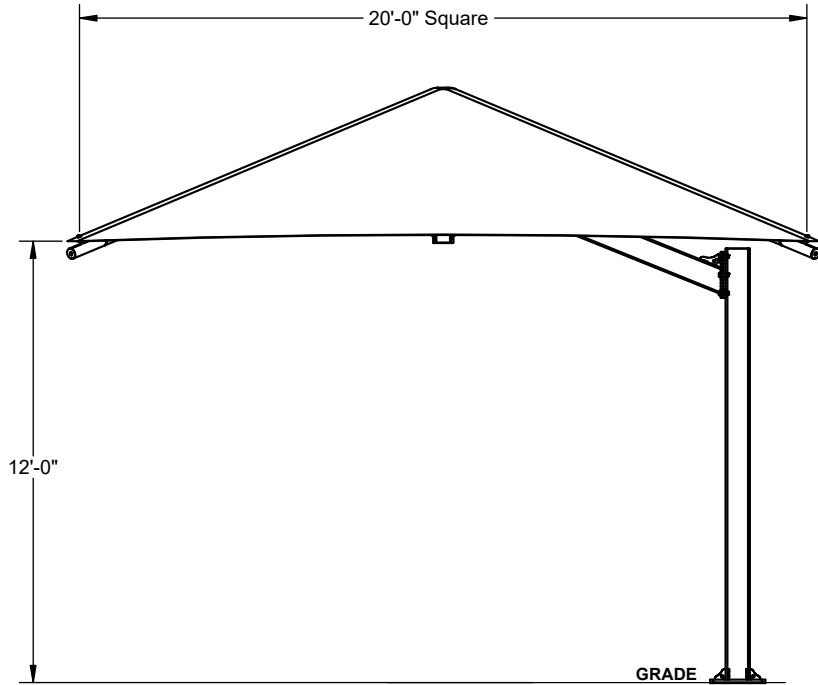
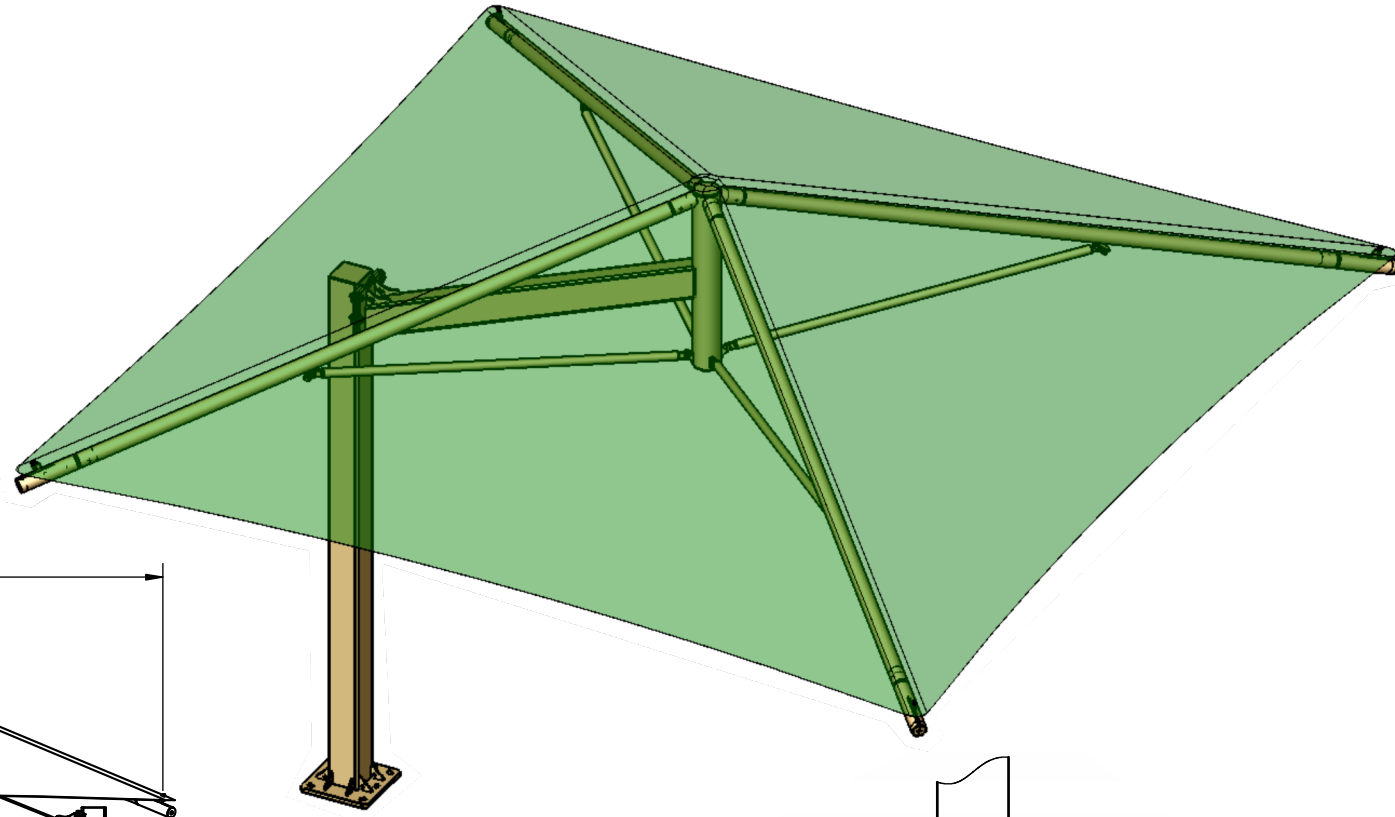


CANTILEVER UMBRELLA SHADE

20' x 20' x 12'

MODEL #:
 CU202012SG (With Glide Elbows)
 CU202012SN (Without Glide Elbows)

REF.#	PART DESCRIPTION	QTY.
1	Column - 8" Sq. w/ Mounting Plate	1
2	Cantilever Arm/Crown - 6"x8"/Ø6.6"/Ø3 1/2"	1
3	Rafter - Ø3 1/2" Swaged w/ Adjustment Plate	4
4	Strut - Ø1 7/8" Rigid	4
5	Canopy - 20' x 20' w/ Cable Insert	1
6	Hardware Kit	1
7	Anchor Hardware	1



*Footing design based on 1500 PSF soil bearing pressure.

CANTILEVER UMBRELLA SHADE

20' x 20' x 12'

MODEL #:
 CU202012IG (With Glide Elbows)
 CU202012IN (Without Glide Elbows)

REF.#	PART DESCRIPTION	QTY.
1	Column - 8" Sq. w/ Mounting Plate	1
2	Cantilever Arm/Crown - 6"x8"/Ø6.6"/Ø3 1/2"	1
3	Rafter - Ø3 1/2" Swaged w/ Adjustment Plate	4
4	Strut - Ø1 7/8" Rigid	4
5	Canopy - 20' x 20' w/ Cable Insert	1
6	Hardware Kit	1

