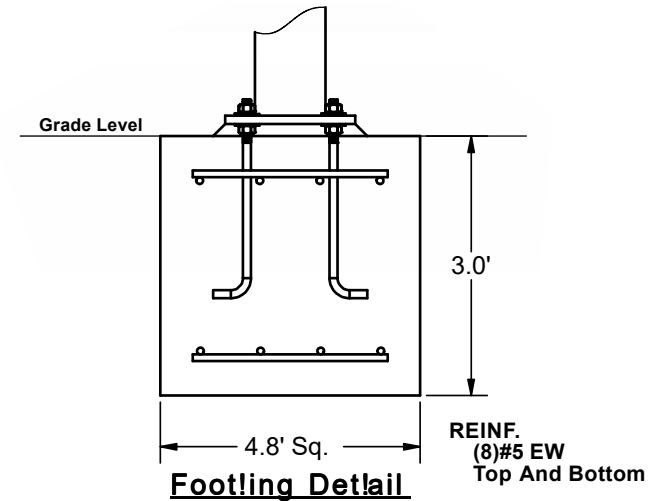
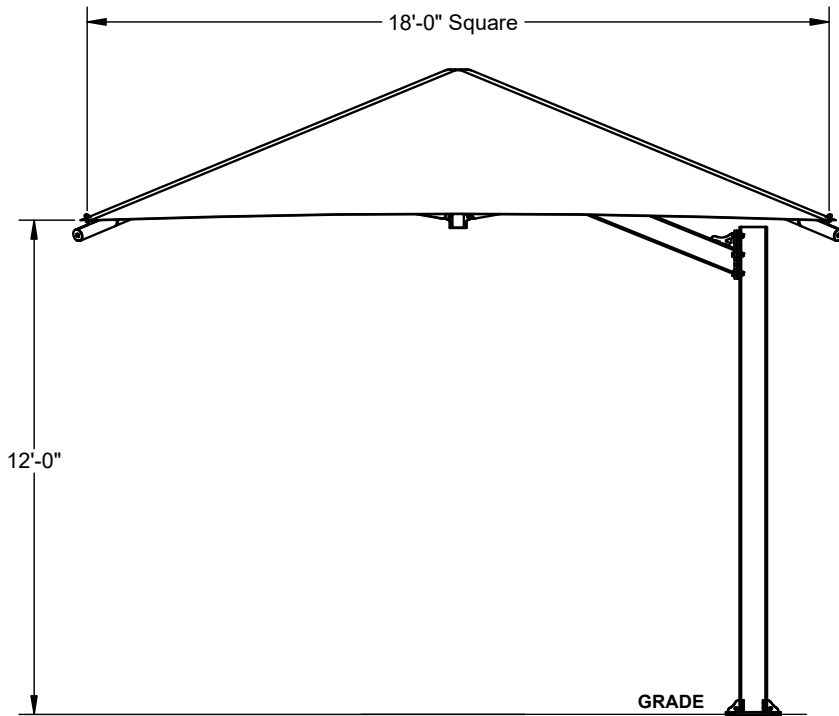
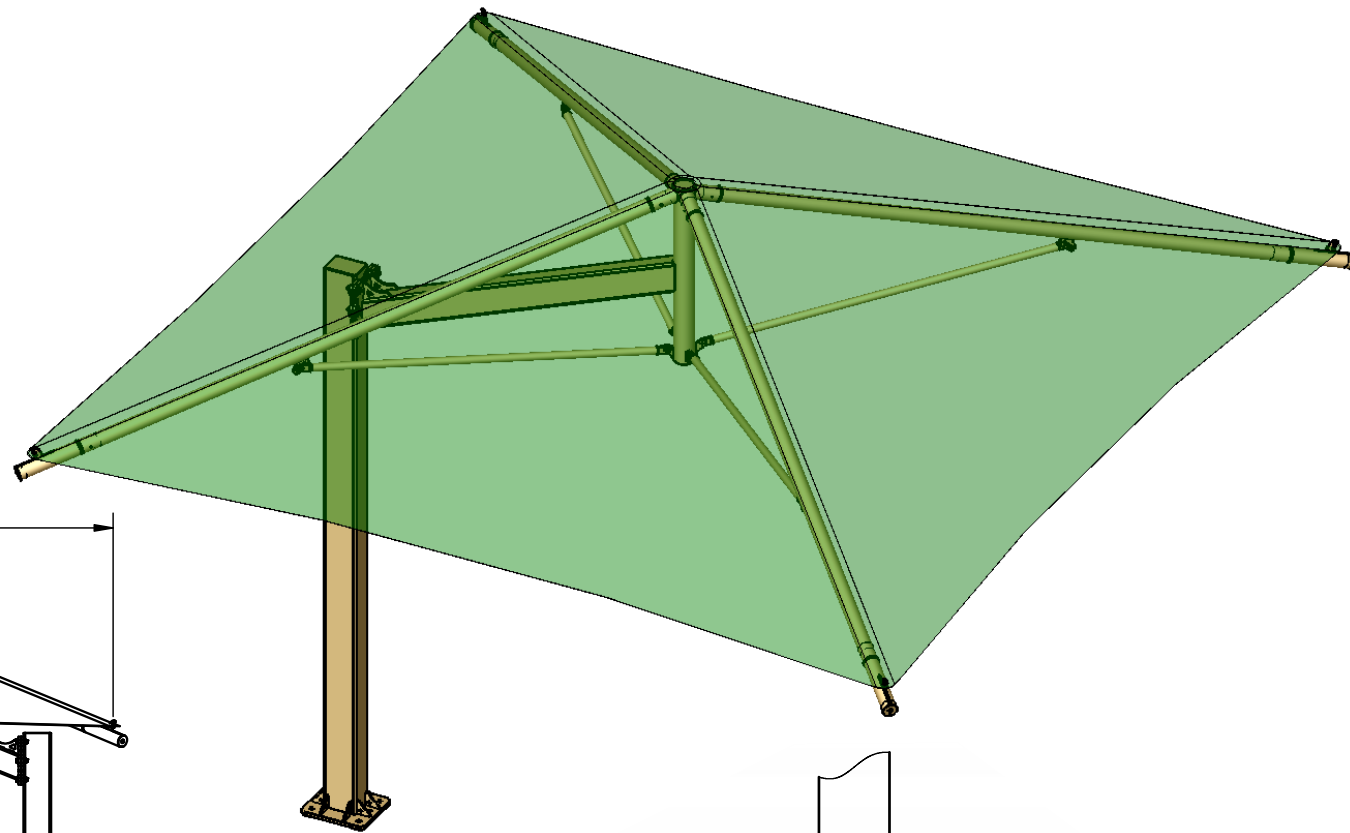


CANTILEVER UMBRELLA SHADE

18' x 18' x 12'

MODEL #:
 CU181812SG (With Glide Elbows)
 CU181812SN (Without Glide Elbows)

| | | |
|---|--|---|
| 1 | Column - 6" x 8" w/ Mounting Plate | 1 |
| 2 | Cantilever Arm/Crown - 5" x 7" / Ø5" / Ø3 1/2" | 1 |
| 3 | Rafter - Ø3 1/2" Swaged w/ Adjustment Plate | 4 |
| 4 | Strut - Ø1 7/8" Rigid | 4 |
| 5 | Canopy - 18' x 18' w/ Cable Insert | 1 |
| 6 | Hardware Kit | 1 |
| 7 | Anchor Hardware | 1 |



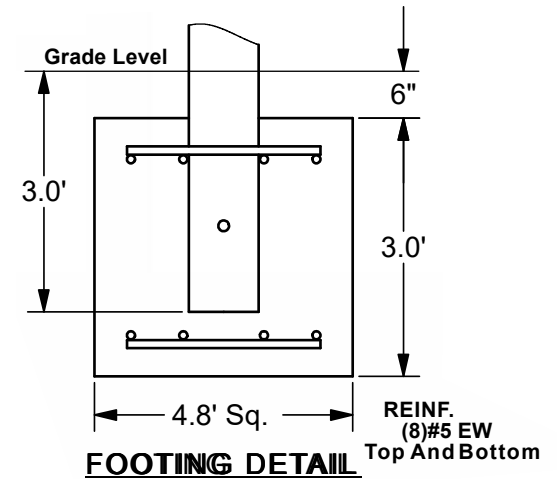
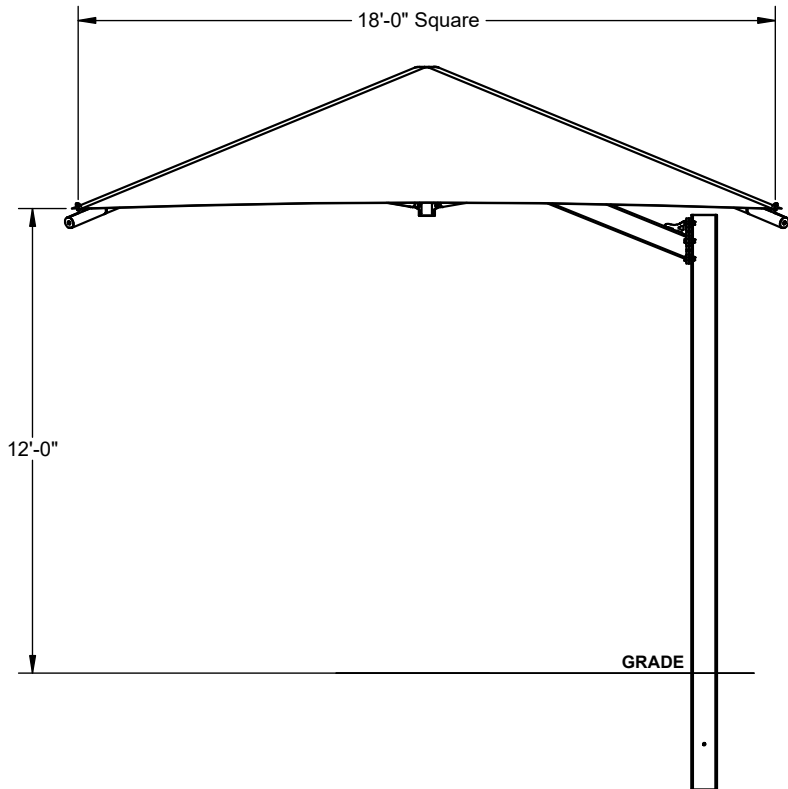
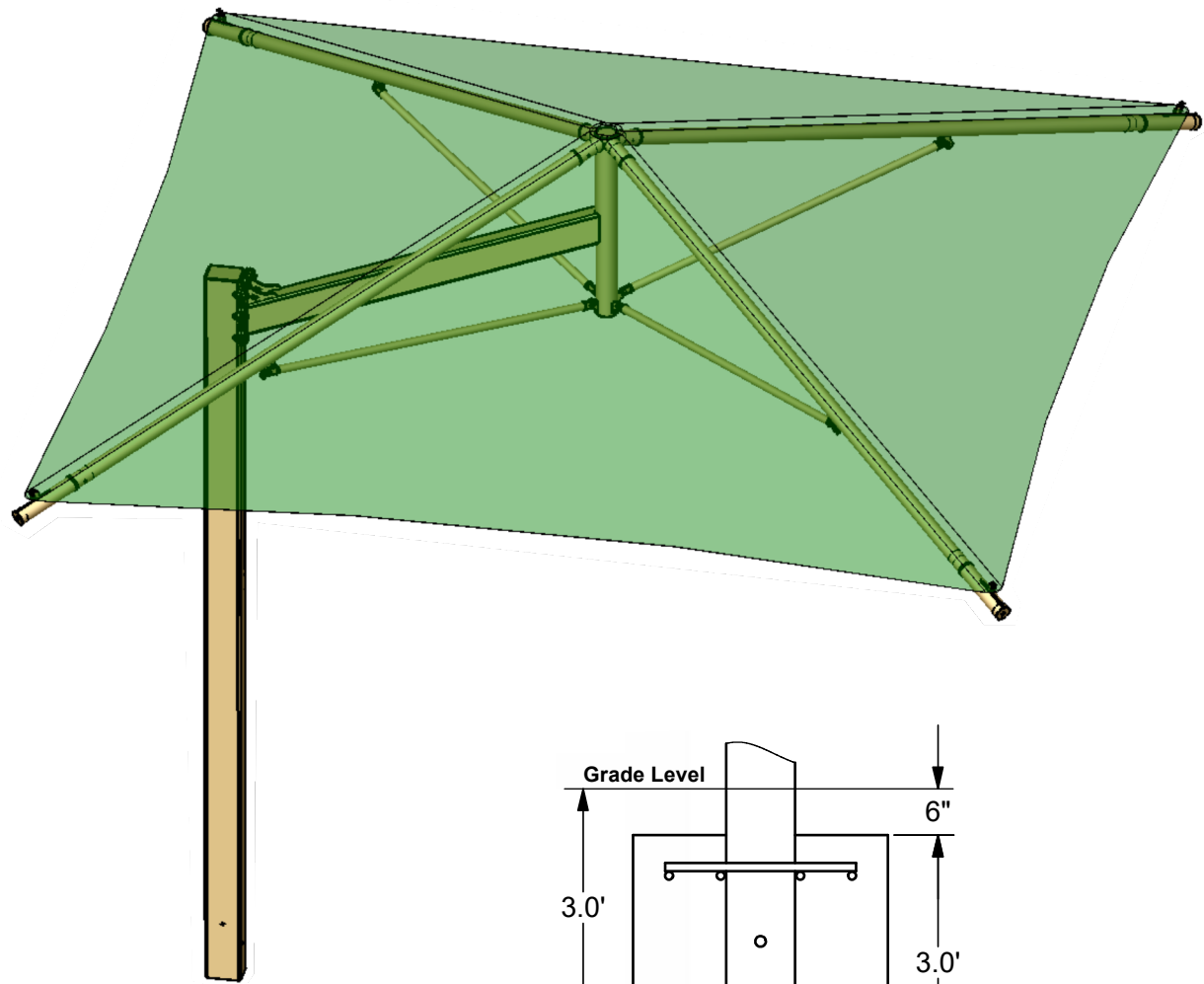
*Footing design based on 1500 PSF soil bearing pressure.

CANTILEVER UMBRELLA SHADE

18' x 18' x 12'

MODEL #:
 CU181812IG (With Glide Elbows)
 CU181812IN (Without Glide Elbows)

| REF.# | PART DESCRIPTION | QTY. |
|-------|--|------|
| 1 | Column - 6" x 8" w/ Mounting Plate | 1 |
| 2 | Cantilever Arm/Crown - 5" x 7" / Ø5" / Ø3 1/2" | 1 |
| 3 | Rafter - Ø3 1/2" Swaged w/ Adjustment Plate | 4 |
| 4 | Strut - Ø1 7/8" Rigid | 4 |
| 5 | Canopy - 18' x 18' w/ Cable Insert | 1 |
| 6 | Hardware Kit | 1 |



*Footing design based on 1500 PSF soil bearing pressure.