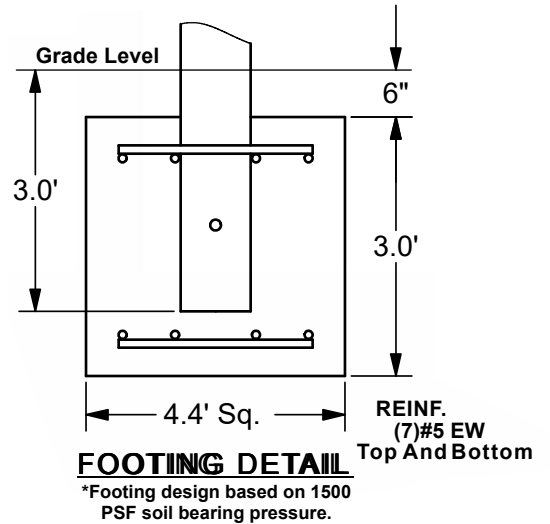
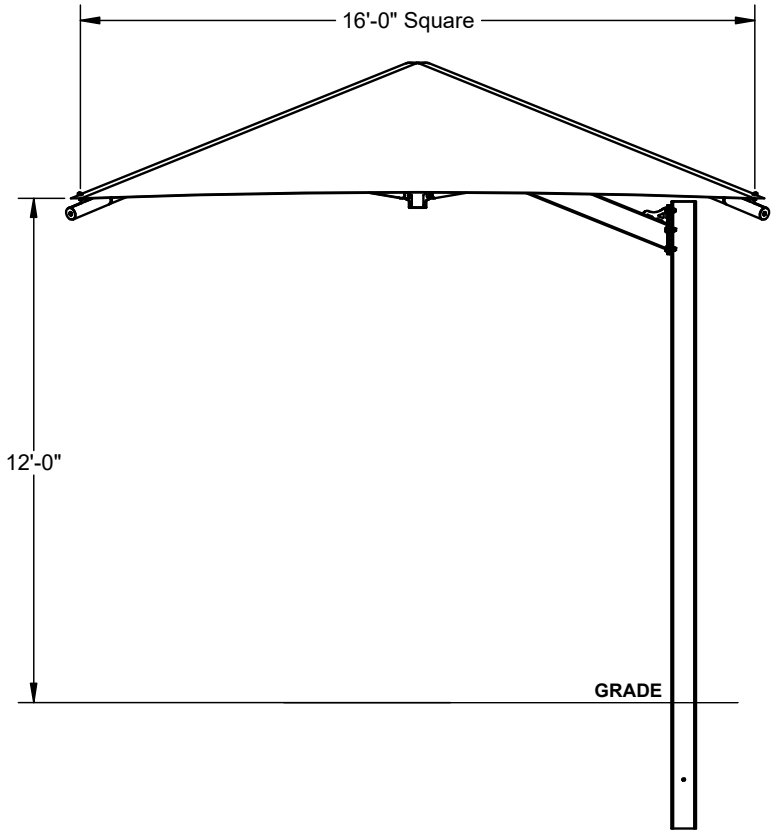
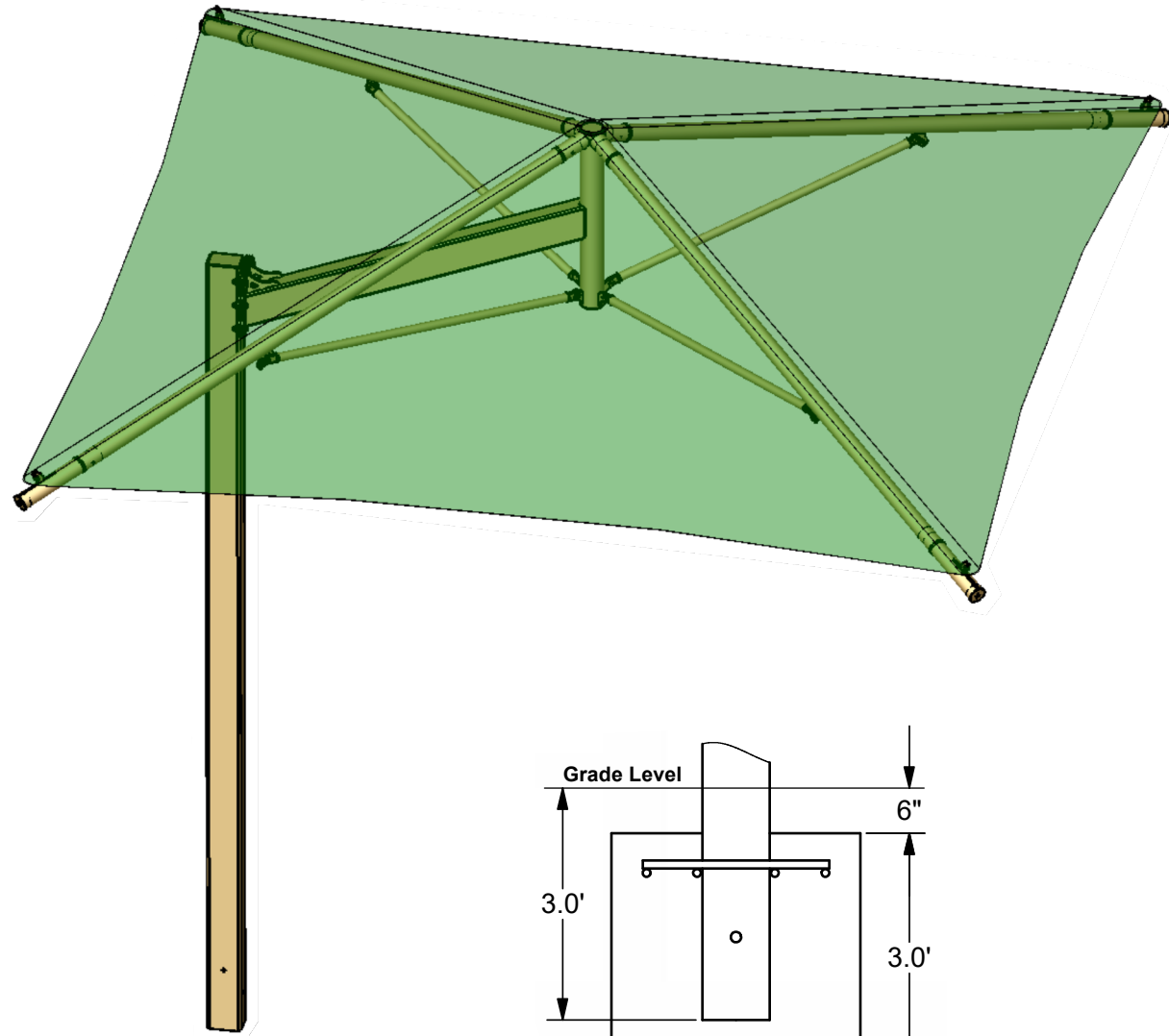


CANTILEVER UMBRELLA SHADE

**16' x 16' x 12'**

MODEL #:  
 CU161612IG (With Glide Elbows)  
 CU161612IN (Without Glide Elbows)

| REF.# | PART DESCRIPTION                               | QTY. |
|-------|--|------|
| 1     | Column - 5" x 7" w/ Mounting Plate             | 1    |
| 2     | Cantilever Arm/Crown - 5" x 7" / Ø5" / Ø3 1/2" | 1    |
| 3     | Rafter - Ø3 1/2" Swaged w/ Adjustment Plate    | 4    |
| 4     | Strut - Ø1 7/8" Rigid                          | 4    |
| 5     | Canopy - 16' x 16' w/ Cable Insert             | 1    |
| 6     | Hardware Kit                                   | 1    |

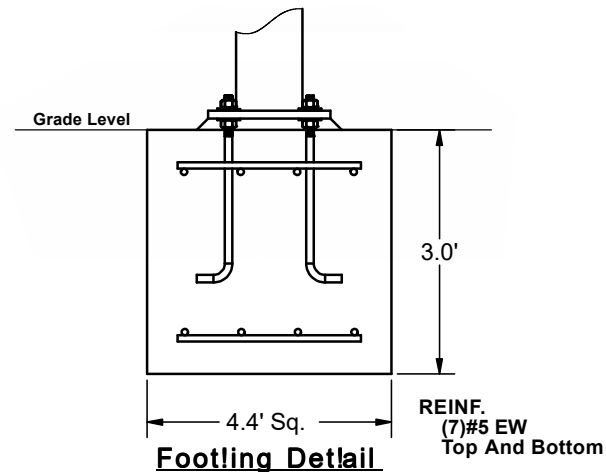
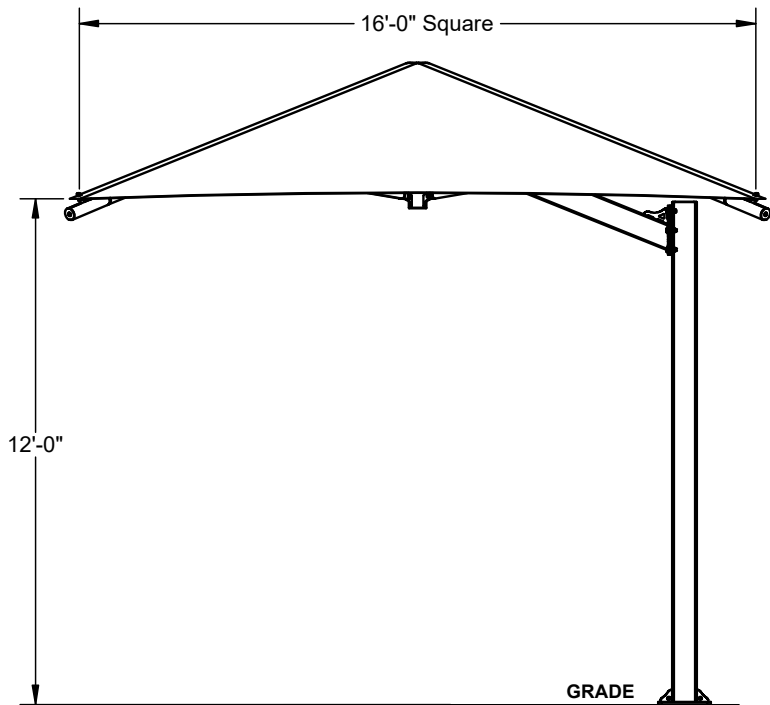
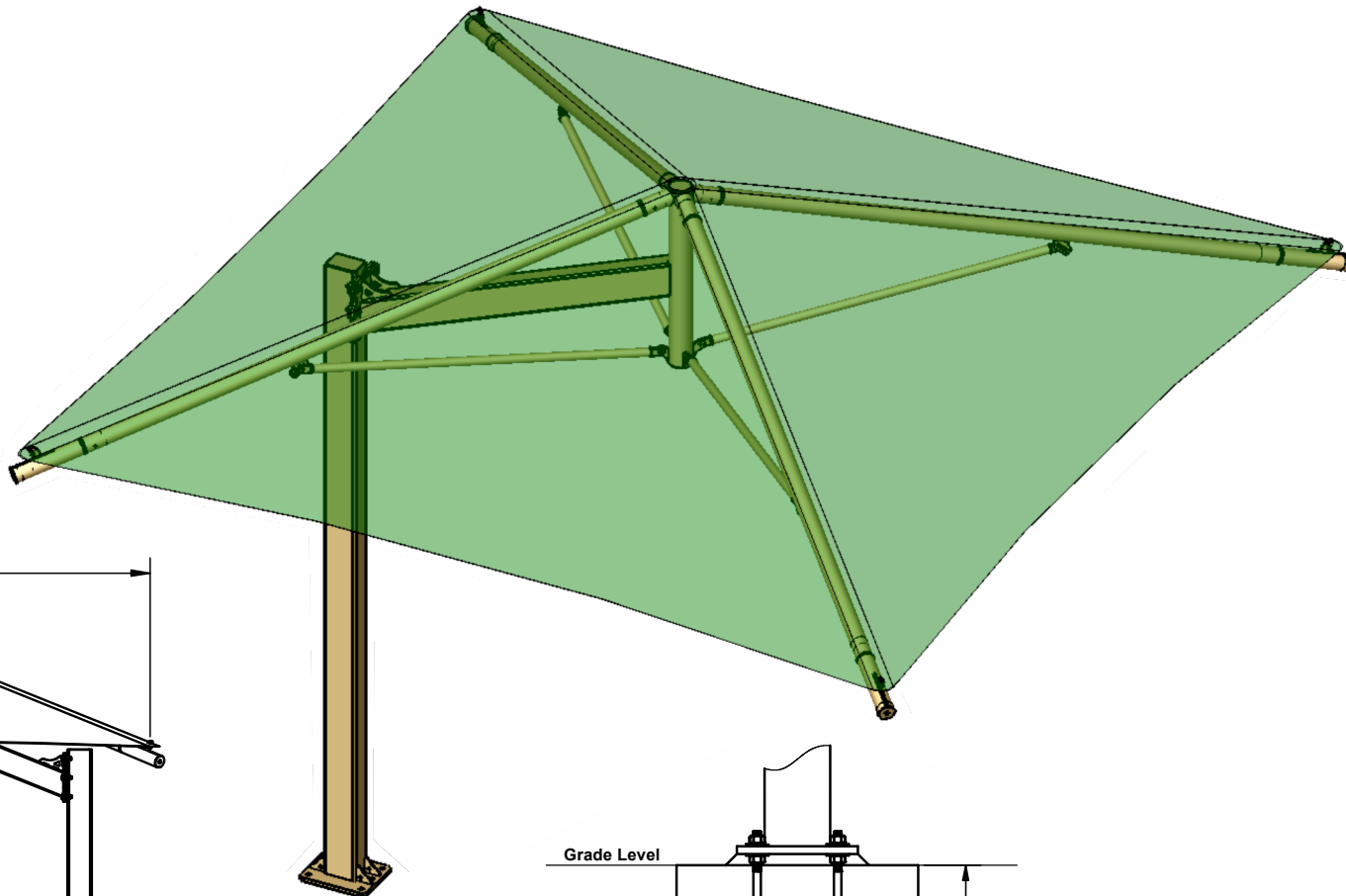


CANTILEVER UMBRELLA SHADE

**16' x 16' x 12'**

MODEL #:  
 CU161612SG (With Glide Elbows)  
 CU161612SN (Without Glide Elbows)

| REF.# | PART DESCRIPTION                               | QTY. |
|-------|--|------|
| 1     | Column - 5" x 7" w/ Mounting Plate             | 1    |
| 2     | Cantilever Arm/Crown - 5" x 7" / Ø5" / Ø3 1/2" | 1    |
| 3     | Rafter - Ø3 1/2" Swaged w/ Adjustment Plate    | 4    |
| 4     | Strut - Ø1 7/8" Rigid                          | 4    |
| 5     | Canopy - 16' x 16' w/ Cable Insert             | 1    |
| 6     | Hardware Kit                                   | 1    |
| 7     | Anchor Hardware                                | 1    |



\*Footling design based on 1500 PSF soil bearing pressure.