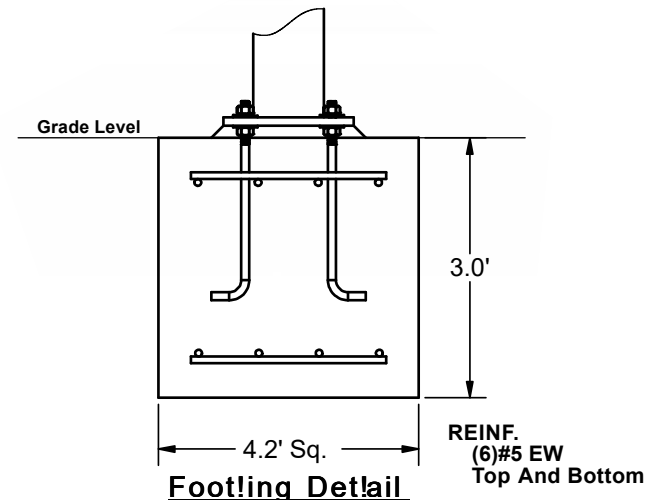
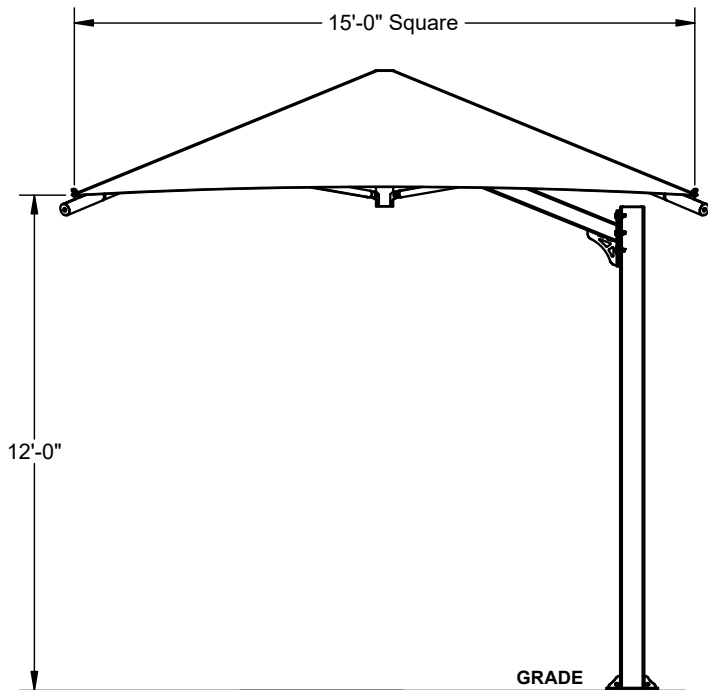
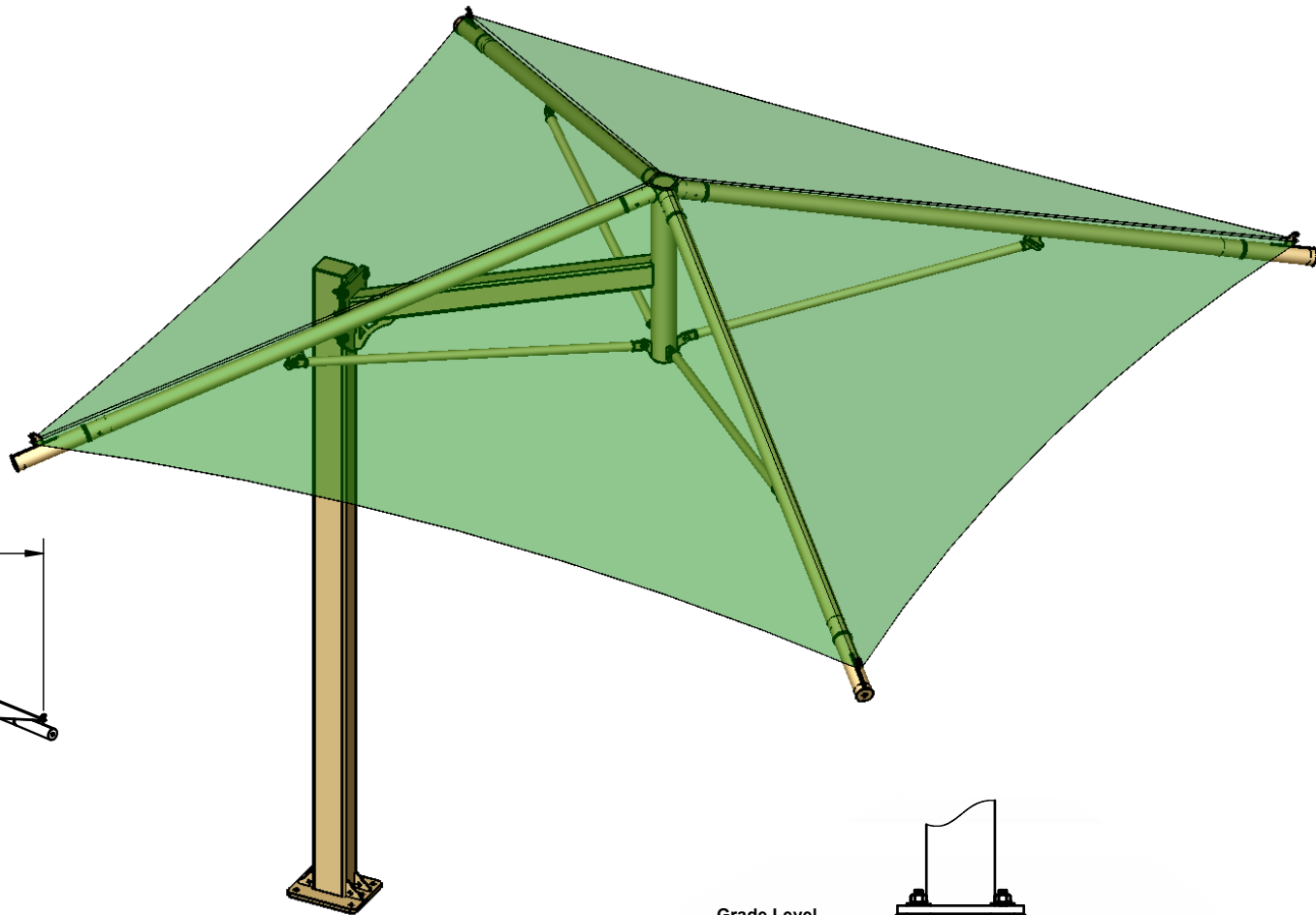


CANTILEVER UMBRELLA SHADE

15' x 15' x 12'

MODEL #:
 CU151512SG (With Glide Elbows)
 CU151512SN (Without Glide Elbows)

REF.#	PART DESCRIPTION	QTY.	REF.#
1	Column - 5" x 7" w/ Mounting Plate	1	1
2	Cantilever Arm/Crown - 5" Sq. / Ø5" / Ø3 1/2"	1	2
3	Rafter - Ø3 1/2" Swaged w/ Adjustment Plate	4	3
4	Strut - Ø1 7/8" Rigid	4	4
5	Canopy - 15' x 15' w/ Cable Insert	1	5
6	Hardware Kit	1	6
7	Anchor Hardware	1	



*Footing design based on 1500 PSF soil bearing pressure.

CANTILEVER UMBRELLA SHADE

15' x 15' x 12'

MODEL #:
 CU151512IG (With Glide Elbows)
 CU151512IN (Without Glide Elbows)

REF.#	PART DESCRIPTION	QTY.
1	Column - 5" x 7" w/ Mounting Plate	1
2	Cantilever Arm/Crown - 5" Sq. / Ø5" / Ø3 1/2"	1
3	Rafter - Ø3 1/2" Swaged w/ Adjustment Plate	4
4	Strut - Ø1 7/8" Rigid	4
5	Canopy - 15' x 15' w/ Cable Insert	1
6	Hardware Kit	1

