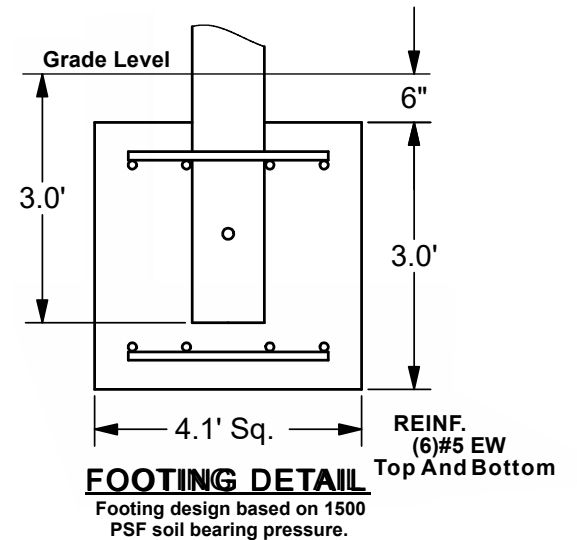
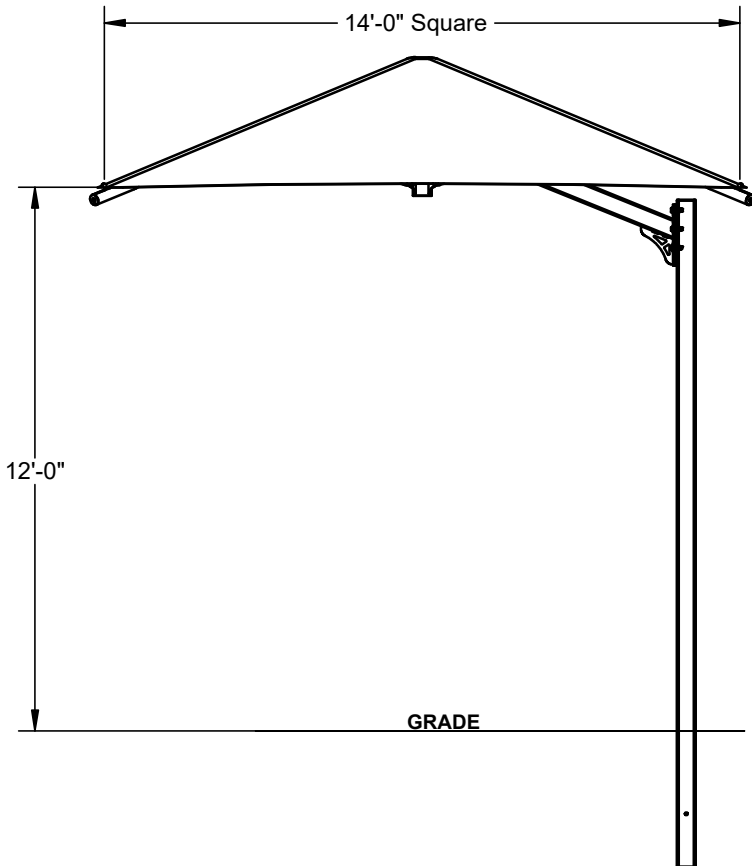
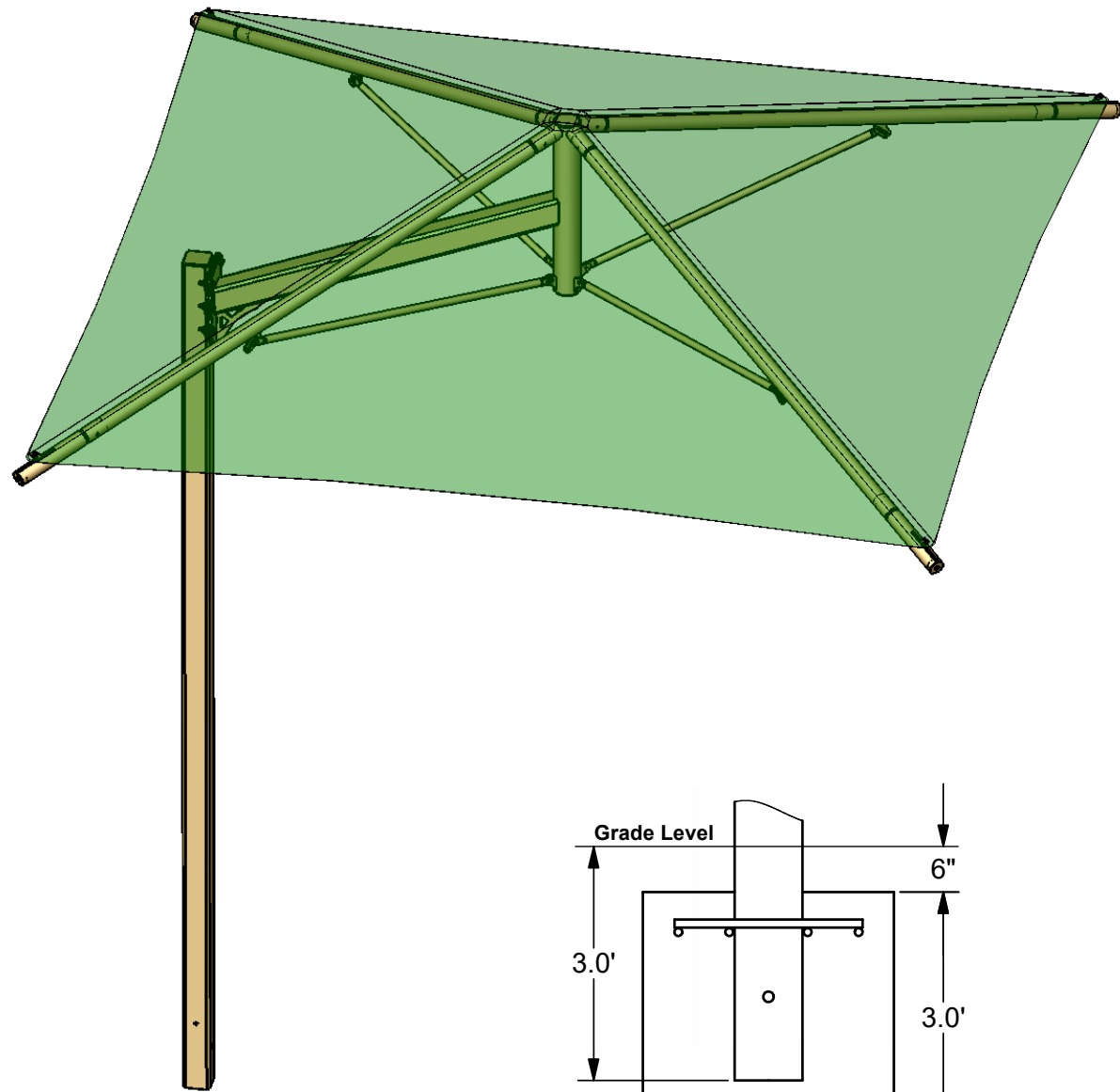


CANTILEVER UMBRELLA SHADE

**14' x 14' x 12'**

MODEL #:  
 CU141412IG (With Glide Elbows)  
 CU141412IN (Without Glide Elbows)

| REF.# | PART DESCRIPTION                              | QTY. |
|-------|-----------------------------------------------|------|
| 1     | Column - 5" Sq. w/ Mounting Plate             | 1    |
| 2     | Cantilever Arm/Crown - 5" Sq. / Ø5" / Ø2 7/8" | 1    |
| 3     | Rafter - Ø2 7/8" Swaged w/ Adjustment Plate   | 4    |
| 4     | Strut - Ø1 1/4" Rigid                         | 4    |
| 5     | Canopy - 14' x 14' w/ Cable Insert            | 1    |
| 6     | Hardware Kit                                  | 1    |

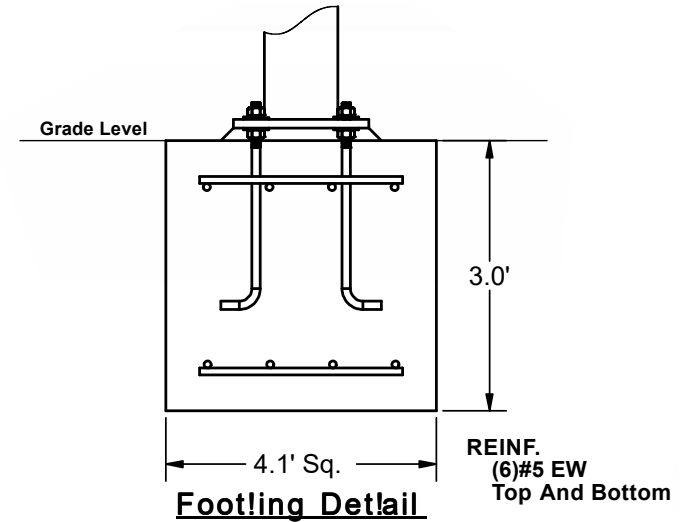
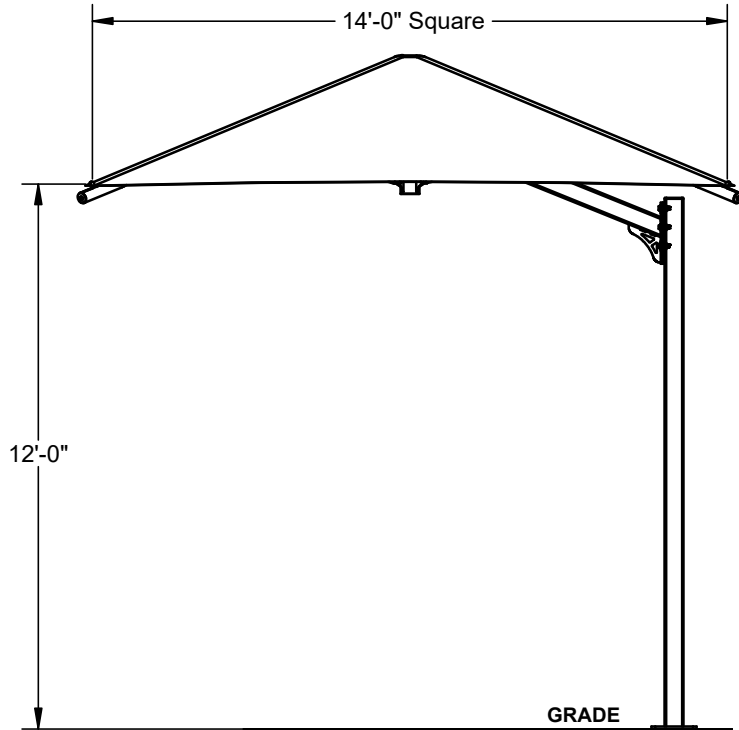
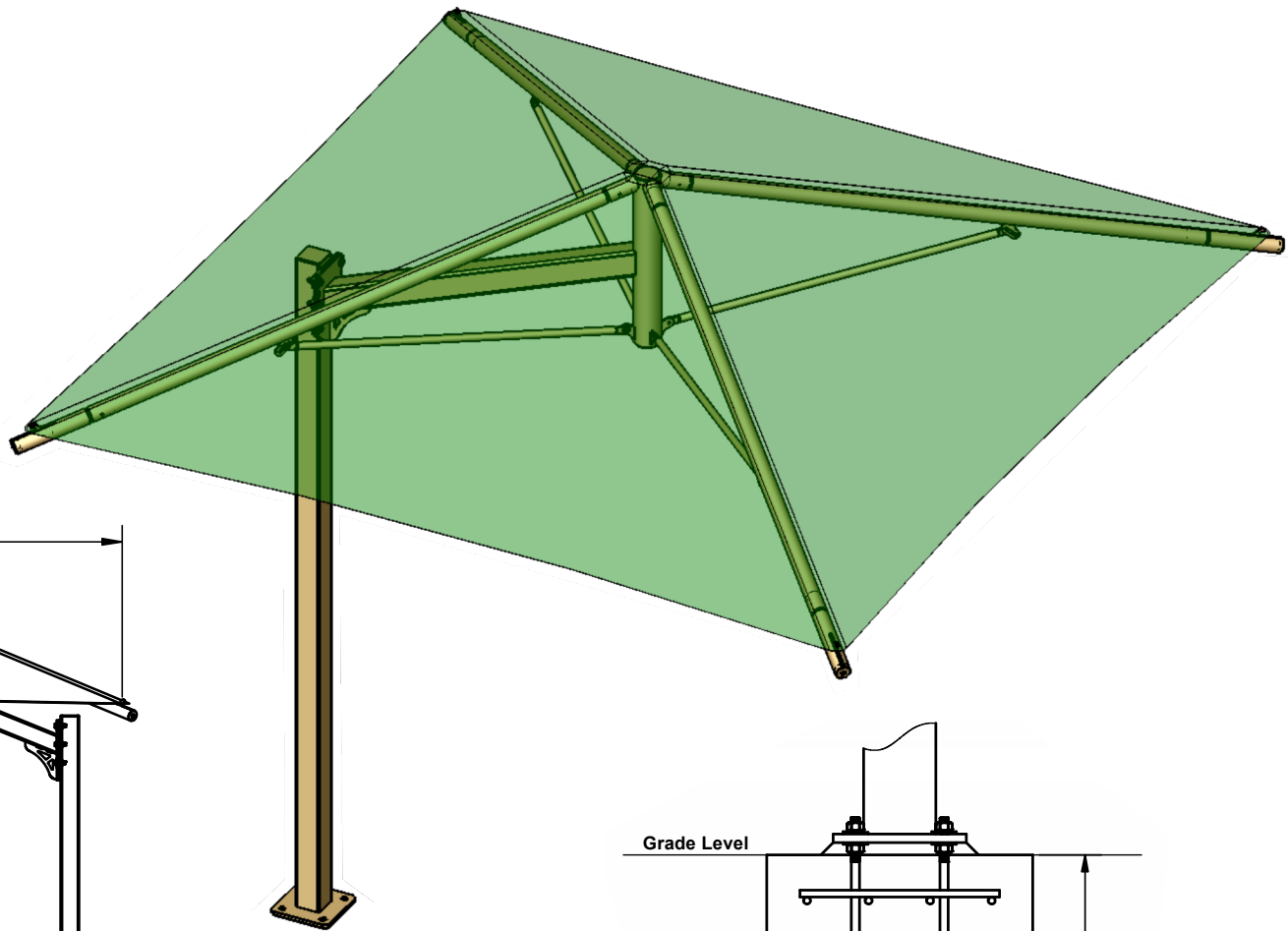


CANTILEVER UMBRELLA SHADE

**14' x 14' x 12'**

MODEL #:  
 CU141412SG (With Glide Elbows)  
 CU141412SN (Without Glide Elbows)

| REF.# | PART DESCRIPTION                              | QTY. |
|-------|-----------------------------------------------|------|
| 1     | Column - 5" Sq. w/ Mounting Plate             | 1    |
| 2     | Cantilever Arm/Crown - 5" Sq. / Ø5" / Ø2 7/8" | 1    |
| 3     | Rafter - Ø2 7/8" Swaged w/ Adjustment Plate   | 4    |
| 4     | Strut - Ø1 1/4" Rigid                         | 4    |
| 5     | Canopy - 14' x 14' w/ Cable Insert            | 1    |
| 6     | Hardware Kit                                  | 1    |
| 7     | Anchor Hardware                               | 1    |



\*Footing design based on 1500 PSF soil bearing pressure.