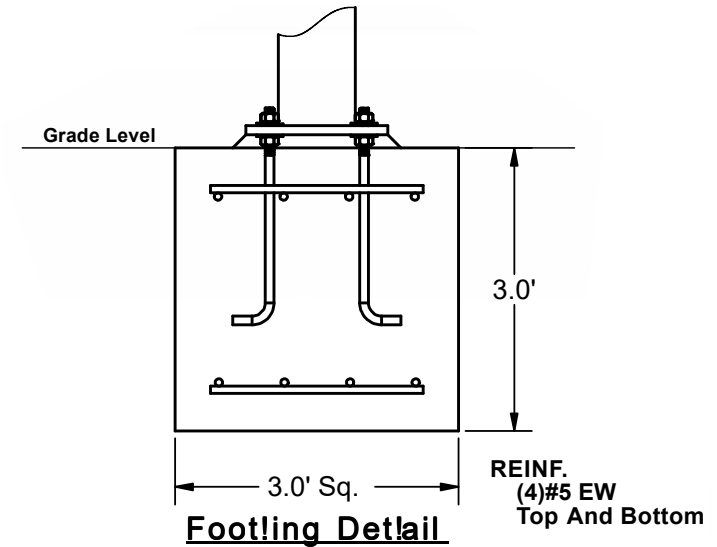
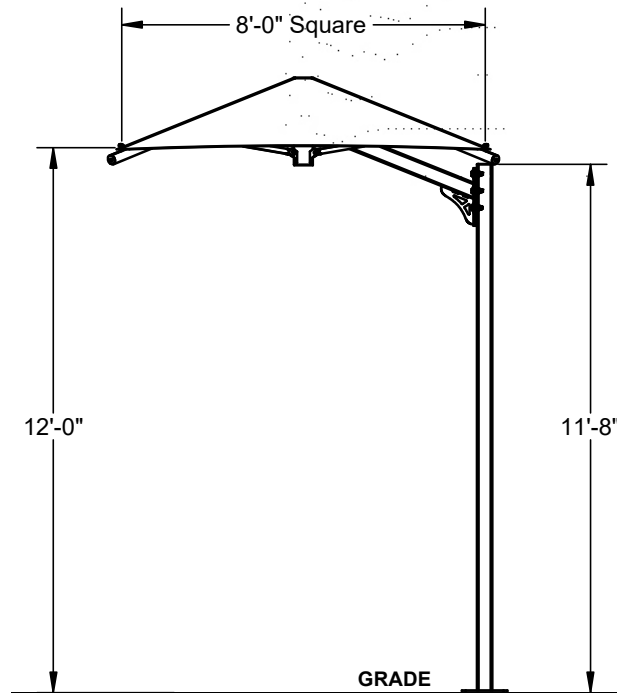
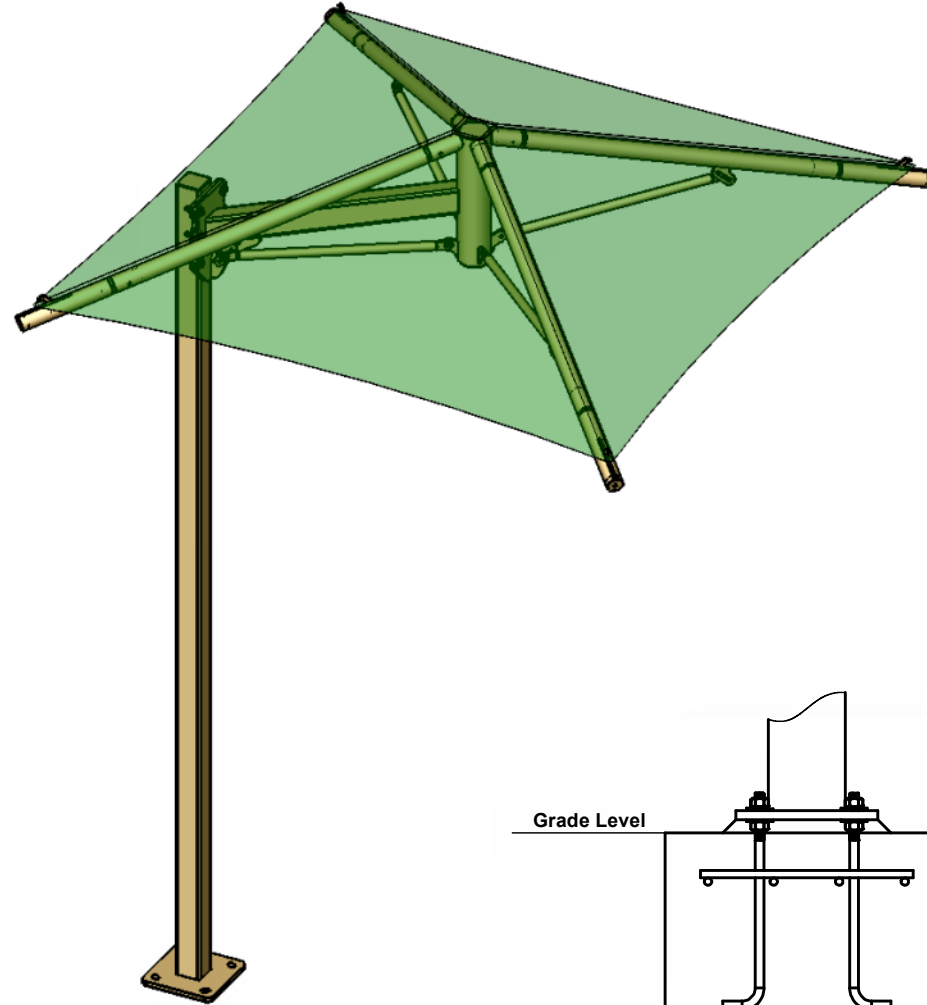


CANTILEVER UMBRELLA SHADE

**8' x 8' x 12'**

MODEL #:  
 CU080812SG (With Glide Elbows)  
 CU080812SN (Without Glide Elbows)

REF.#	PART DESCRIPTION	QTY.
1	Column - 4" Sq. w/ Mounting Plate	1
2	Cantilever Arm/Crown - 4" Sq. / Ø5" / Ø2 1/2"	1
3	Rafter - Ø2 1/2" Swaged w/ Adjustment Plate	4
4	Strut - Ø1 1/4" Rigid	4
5	Canopy - 8' x 8' w/ Cable Insert	1
6	Hardware Kit	1
7	Anchor Hardware	1

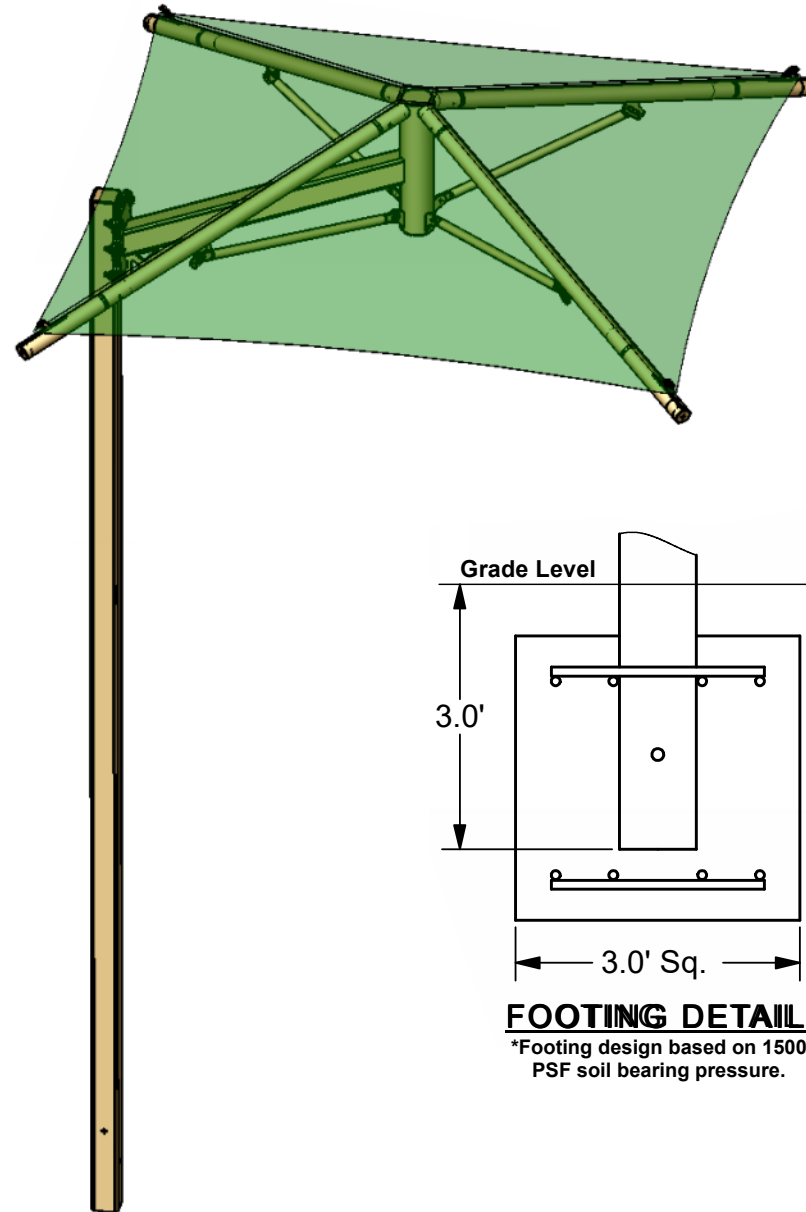


\*Footing design based on 1500 PSF soil bearing pressure.

CANTILEVER UMBRELLA SHADE

**8' x 8' x 12'**

MODEL #:  
 CU080812IG (With Glide Elbows)  
 CU080812IN (Without Glide Elbows)



REF.#	PART DESCRIPTION	QTY.
1	Column • 4" Sq. w/ Mounting Plate	1
2	Cantilever Arm/Crown - 4" Sq. / Ø5" / Ø2 1/2"	1
3	Rafter - Ø2 1/2" Swaged w/ Adjustment Plate	4
4	Strut - Ø1 1/4" Rigid	4
5	Canopy - 8' x 8' w/ Cable Insert	1
6	Hardware Kit	1

